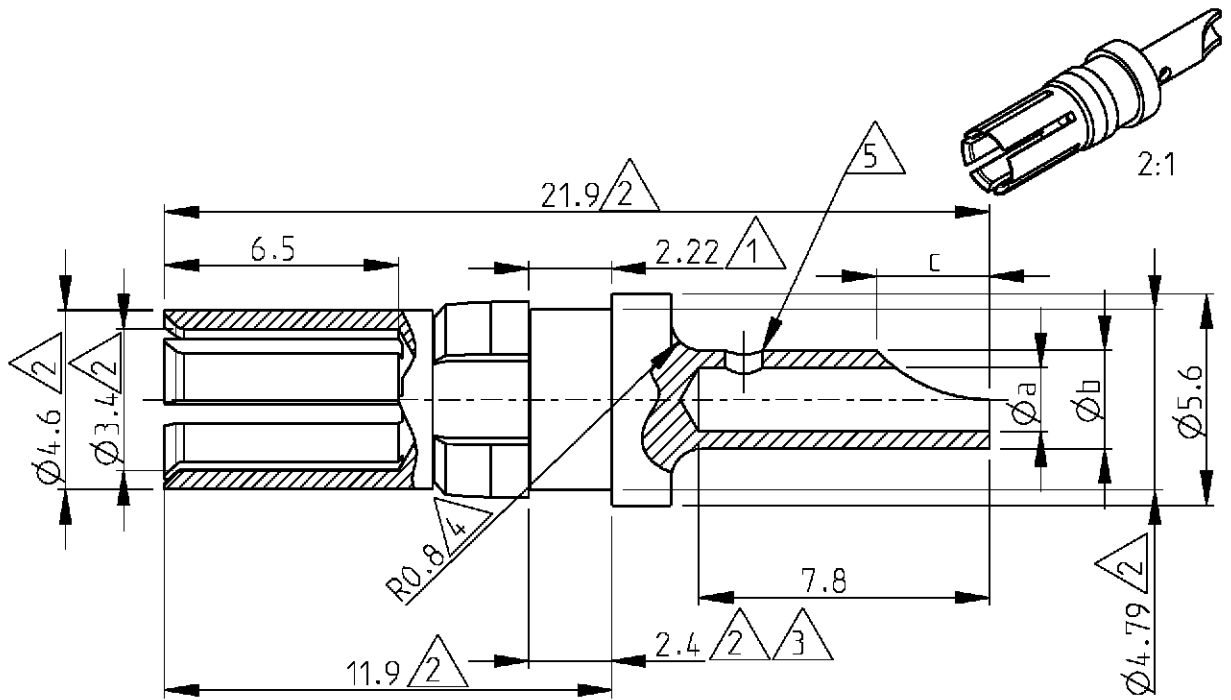


LOC	DIST	REVISIONS					
GW	-	P	LTR	DESCRIPTION	DATE	DWN	APVD
		A1		REVISED PER ECO-11-005294	06APR11	RK	HMR



6) Application : DIN 41612 type M.

- △5 Only on 1-1393589-1
- △4 Not applicable on 1393589-7
- △3 Measured with spring moved towards the mating face
- △2 Max dimension
- △1 Min dimension



Cross reference table								
Old part number	part number	Current	∅a	∅b	dim c	Material	Plating	
1-1393589-1	C42334-A347-A96	10 A	1.7	2.6	3	Brass	1 µm Au or Pd in contact area	
1393589-9	C42334-A347-A95	20 A	2.8	3.7	4	Brass	1 µm Au or Pd in contact area	
1393589-7	C42334-A347-A94	40 A	4.8	5.6	5.2	Brass	1 µm Au or Pd in contact area	

RELEASED FOR PUBLICATION

ALL RIGHTS RESERVED.

THIS DRAWING IS UNPUBLISHED.

COPYRIGHT

DIMENSIONS:		DWN	23APR2001	MATERIAL		FINISH	
mm		B. Lenvain		-		-	
TOLERANCES UNLESS OTHERWISE SPECIFIED:		CHR	23APR2001	TE Connectivity			
0 PLC ±		K. Mattheeuws					
1 PLC ±		APVD	23APR2001	High current socket with wire connection			
2 PLC ±		R. Leeman					
3 PLC ±		PRODUCT SPEC		NAME High current socket with wire connection			
4 PLC ±							
ANGLES ±		APPLICATION SPEC		SIZE	CAGE CODE	DRAWING NO	RESTRICTED TO
				A4	00779	C=1393589-7	-
		WEIGHT		CUSTOMER DRAWING		SCALE	SHEET
						5/1	1 OF 1
							REV
							A1

X-ON Electronics

Largest Supplier of Electrical and Electronic Components

Click to view similar products for [Power to the Board](#) category:

Click to view products by [TE Connectivity](#) manufacturer:

Other Similar products are found below :

[6450171-4](#) [6450552-7](#) [6600323-8](#) [6643429-1](#) [6646040-2](#) [6651939-1](#) [6766604-1](#) [120959-1](#) [1393557-2](#) [1393532-2](#) [1393532-3](#) [1393532-4](#)
[1393557-1](#) [1600812-5](#) [1-6450861-2](#) [1744132-7](#) [1761122-1](#) [1766250-1](#) [1892109-1](#) [2-6450860-5](#) [2-6450870-0](#) [1-6450161-4](#) [1-6450850-6](#) [1-6450869-6](#) [1645526-2](#) [1-6600130-0](#) [2005243-2](#) [377-0020-11130](#) [TE34-12-16P-F0](#) [5-6450830-6](#) [5646956-4](#) [377-0080-11131A](#) [4-6450830-9](#)
[4-6600333-3](#) [10125416-4050LF](#) [6600320-3](#) [3-6450860-5](#) [1888123-2](#) [6450166-1](#) [6643978-1](#) [6766605-1](#) [701-15-02109](#) [N11444](#) [6651938-1](#)
[6450810-7](#) [46437-1112](#) [1-1589677-8](#) [5646956-5](#) [6450813-2](#) [6450129-4](#)