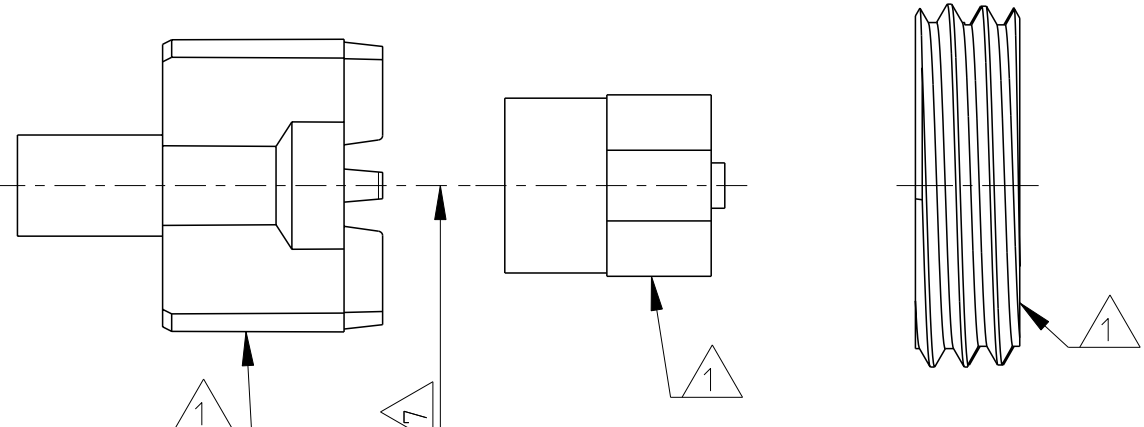
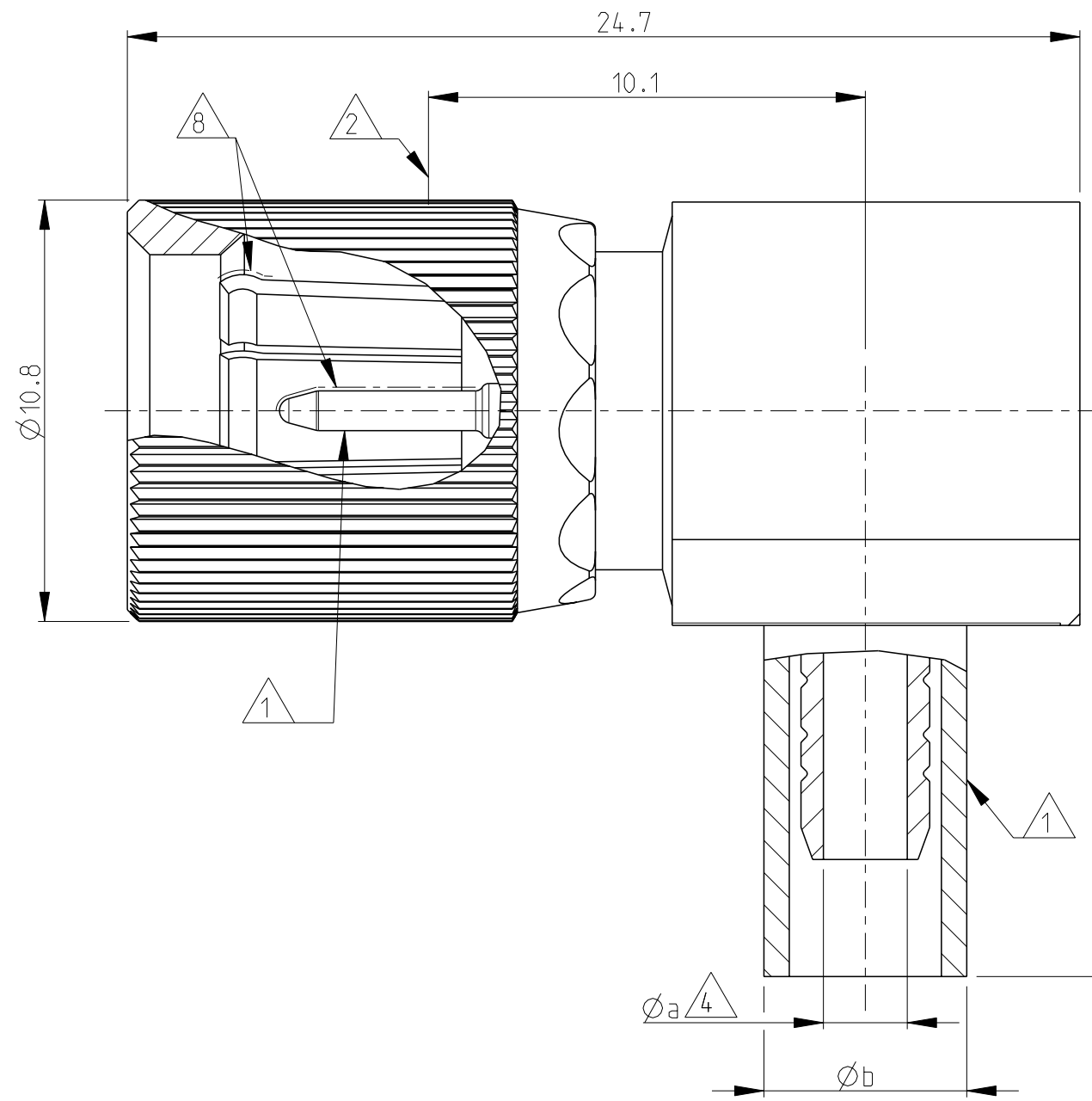
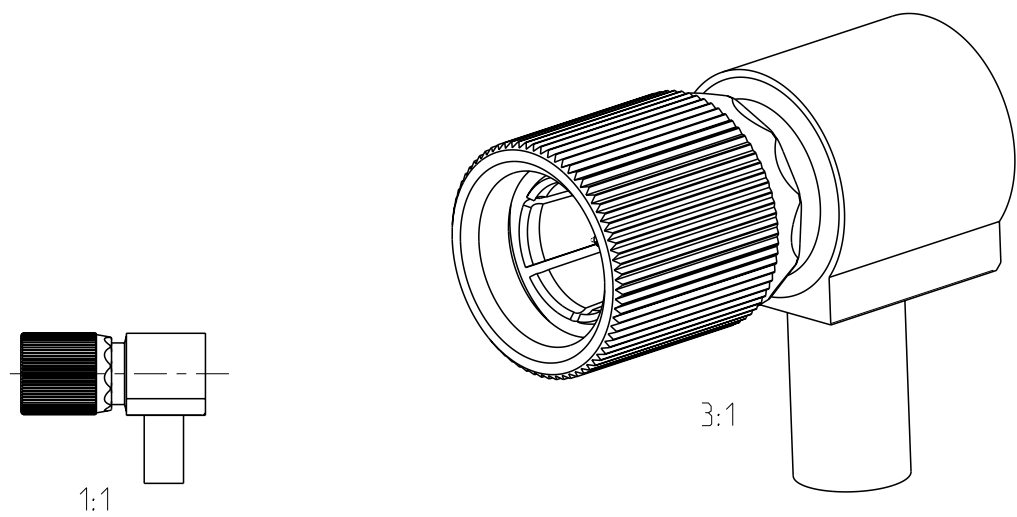


THIS DRAWING IS UNPUBLISHED. RELEASED FOR PUBLICATION 2000
 © COPYRIGHT 2000 BY TYCO ELECTRONICS CORPORATION. ALL RIGHTS RESERVED.

LOC	DIST	REVISIONS					
		P	LTR	DESCRIPTION	DATE	DWN	APVD
IS	-		B3	REVISE PER ECR-17-000730	18JAN2017	LN	RS



- 10 OBSOLETE
- 9 OBSOLETE PARTS: OBSOLETE CIS STREAMLINING PER D.RENAUD/D.SINISI
- 8 Contact area.
- 7 When ferrule is fully mated
- 6 Packed in tray
- 5) All dimensions are maximum unless otherwise specified.
- 4 Minimum dimensions
- 3) Mating face according to DIN 47295/CECC 22240.
- 2 Reference plane.
- 1 Supplied as loose part.



<small>THIS DRAWING IS A CONTROLLED DOCUMENT FOR TYCO ELECTRONICS CORPORATION IT IS SUBJECT TO CHANGE AND THE CONTROLLING ENGINEERING ORGANIZATION SHOULD BE CONTACTED FOR THE LATEST REVISION.</small>		DWN B. Lenvain 27FEB2001 CHK K. Mattheeuws 5APR2001 APVD R. Leeman 5APR2001		Tyco Electronics Tyco Electronics Ch - Switzerland - Lugano	
DIMENSIONS: mm 		TOLERANCES UNLESS OTHERWISE SPECIFIED: 0 PLC ± 1 PLC ± 2 PLC ± 3 PLC ± 4 PLC ± ANGLES ±		NAME Angle Cable Plug 1.6/5.6	
MATERIAL -		FINISH -		PRODUCT SPEC - APPLICATION SPEC 114-71024 WEIGHT -	
CUSTOMER DRAWING				SIZE A3 CAGE CODE 00779 DRAWING NO. C-1-1393680-6	RESTRICTED TO -
				SCALE 6:1	SHEET 1 OF 2
				REV B3	

THIS DRAWING IS UNPUBLISHED.

RELEASED FOR PUBLICATION

2000

© COPYRIGHT 2000

BY TYCO ELECTRONICS CORPORATION. ALL RIGHTS RESERVED.

LOC

DIST

REVISIONS

IS

-

P

LTR

DESCRIPTION

DATE

DWN

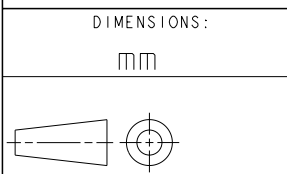
APVD

SEE SHEET 1

Cross reference tabel

Old part number	TE part number	Description	Material	Plating	Øa	Øb	dim c	Cable type
V23612-C202-A76	4-1393680-4 9	Outer conductor	CuBe/Bronze	min. 0.2 µm Au over PdNi in contact area 8	2.15	5.2	15	02Y(St)CY 0.45/2.0
		Center conductor	CuBe/Bronze	min. 0.2 µm Au over PdNi in contact area 8				
		Dielectric	PEEK/PC	-				
V23612-A202-A76A 6	4-1393680-9 9 6	Outer conductor	CuBe/Bronze	min. 0.2 µm Au over PdNi in contact area 8	2.15	5.2	15	02Y(St)CY 0.45/2.0
		Center conductor	CuBe/Bronze	min. 0.2 µm Au over PdNi in contact area 8				
		Dielectric	PEEK/PC	-				
V23612-A202-A76	4-1393680-8 10	Outer conductor	CuBe/Bronze	min. 0.2 µm Au over PdNi in contact area 8	2.15	5.2	15	02Y(St)CY 0.45/2.0
		Center conductor	CuBe/Bronze	min. 0.2 µm Au over PdNi in contact area 8				
		Dielectric	PEEK/PC	-				
V23612-A202-A62A	4-1393680-7 9	Outer conductor	CuBe/Bronze	min. 0.2 µm Au over PdNi in contact area 8	2.15	5.2	15	02Y12YC(MS)C6Y 0.45/2.0
		Center conductor	CuBe/Bronze	min. 0.2 µm Au over PdNi in contact area 8				
		Dielectric	PEEK/PC	-				
V23612-A202-A62	1-1393680-6	Outer conductor	CuBe/Bronze	min. 0.2 µm Au over PdNi in contact area 8	2.15	5.2	15	02Y(St)CY 0.45/2.0
		Center conductor	CuBe/Bronze	min. 0.2 µm Au over PdNi in contact area 8				
		Dielectric	PEEK/PC	-				
V23612-A202-A45	4-1393680-3 10	Outer conductor	CuBe/Bronze	min. 0.2 µm Au over PdNi in contact area 8	2.55	6.2	15	02YCCY 0.4/2.5 2YC(MS)CY 0.4/2.5
		Center conductor	CuBe/Bronze	min. 0.2 µm Au over PdNi in contact area 8				
		Dielectric	PEEK/PC	-				
V23612-A202-A34	4-1393680-2 9	Outer conductor	CuBe/Bronze	min. 0.2 µm Au over PdNi in contact area 8	2.35	6.4	18	TR-SP127 TR-SP128
		Center conductor	CuBe/Bronze	min. 0.2 µm Au over PdNi in contact area 8				
		Dielectric	PEEK/PC	-				
V23612-A202-A32	4-1393680-1 9	Outer conductor	CuBe/Bronze	min. 0.2 µm Au over PdNi in contact area 8	3.8	8.18	18	TR-SP109
		Center conductor	CuBe/Bronze	min. 0.2 µm Au over PdNi in contact area 8				
		Dielectric	PEEK/PC	-				

THIS DRAWING IS A CONTROLLED DOCUMENT FOR TYCO ELECTRONICS CORPORATION
IT IS SUBJECT TO CHANGE AND THE CONTROLLING ENGINEERING ORGANIZATION
SHOULD BE CONTACTED FOR THE LATEST REVISION.



DIMENSIONS:	TOLERANCES UNLESS OTHERWISE SPECIFIED:
mm	
0 PLC	±
1 PLC	±
2 PLC	±
3 PLC	±
4 PLC	±
ANGLES	±

MATERIAL - FINISH -

DWN B. Lenvain 5APR2001
 CHK K. Mattheeuws 5APR2001
 APVD R. Leeman 5APR2001

Tyco Electronics Tyco Electronics
 CH - Switzerland - Lugano

PRODUCT SPEC -
 APPLICATION SPEC -
 WEIGHT -

NAME Cable angle plug 1.6/5.6
 SIZE A3 CAGE CODE 00779 DRAWING NO. C-1-1393680-6 RESTRICTED TO -

CUSTOMER DRAWING SCALE 6:1 SHEET 2 OF 2 REV B3

X-ON Electronics

Largest Supplier of Electrical and Electronic Components

Click to view similar products for [RF Connectors / Coaxial Connectors](#) category:

Click to view products by [TE Connectivity](#) manufacturer:

Other Similar products are found below :

[R125315120](#) [8915-1511-000](#) [89674-0827](#) [5916-1103-603](#) [6-0001-3](#) [6001-7071-019](#) [6002-7051-003](#) [6002-7551-202](#) [6059674-1](#) [619550-1](#)
[630059-000](#) [M39012/25-0021](#) [M39012/79-3008](#) [M39030/3-01N](#) [M39030/3-03N](#) [M3933/25-36N](#) [6500-7071-046](#) [M83723/72W24576](#)
[M83723/72W2457N](#) [6769](#) [CX050L2AQ](#) [7002-1541-010](#) [7002-1572-002](#) [7003-1572-002](#) [7010-1511-000](#) [7029-1511-060](#) [7101-1541-010](#)
[7101-1571-002](#) [7105-1521-002](#) [7145-1521-002](#) [7209-1511-011](#) [7210-1511-015](#) [7210-1511-019](#) [7225-1512-050](#) [7242-1511-000](#) [73137-5015](#)
[73251-0111](#) [73251-0672](#) [7325-1512-000](#) [73276-1501](#) [73366-0013](#) [73404-2300](#) [73413-6080](#) [73415-5721](#) [7405-1521-005](#) [7405-1521-802](#)
[7406-1521-005](#) [804S01D04M040](#) [8145-1521-002](#) [81590](#)