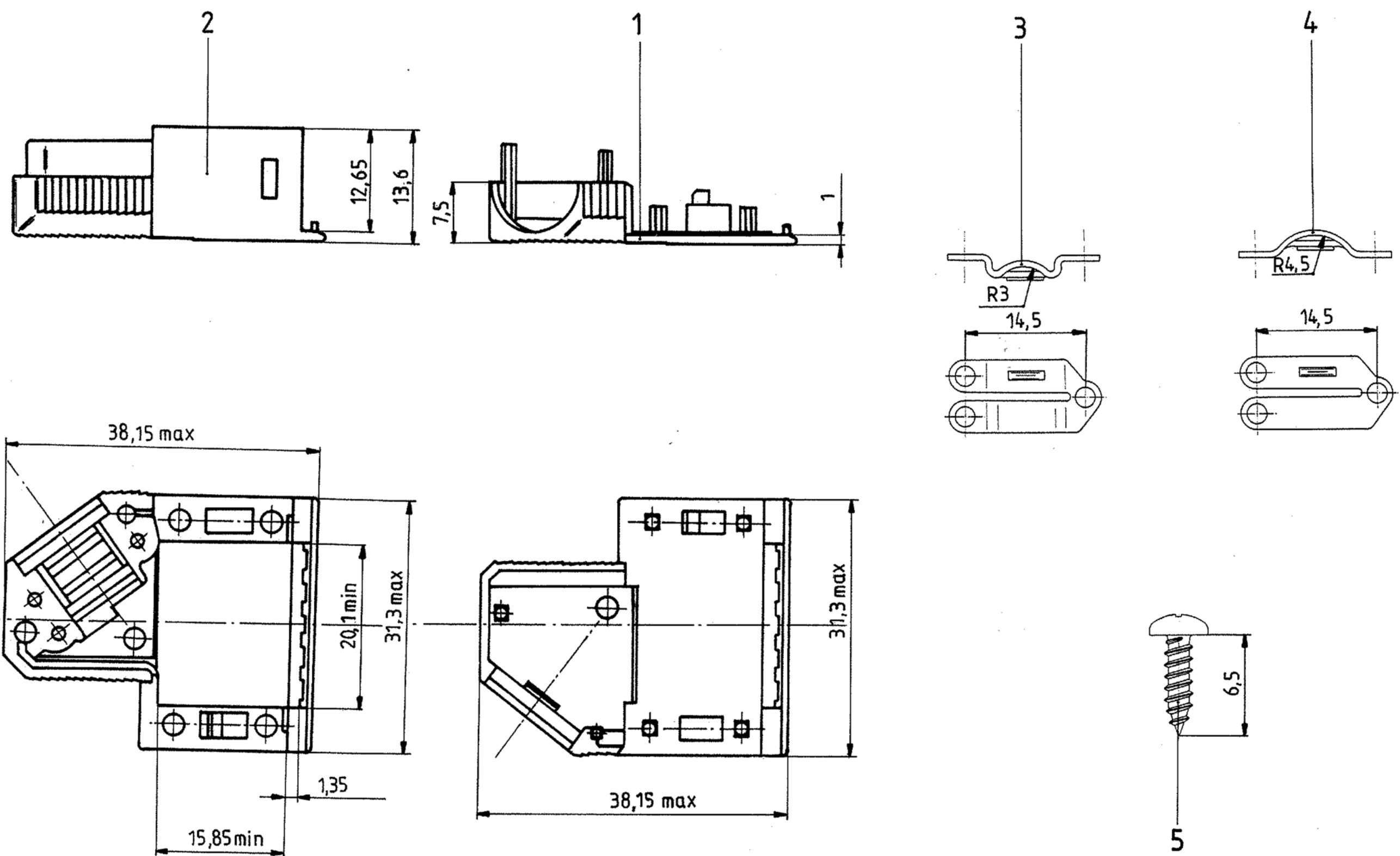


Sin nuestra expresa autorización, queda terminantemente prohibida la reproducción total o parcial de este documento, así como su uso indebido y/o su exhibición o comunicación a terceros. De los infractores se exigirá el correspondiente resarcimiento de daños y perjuicios. Se reserva todos los derechos para el caso de la concesión de patente de invención o el registro de Modelo Industrial.

Weitergabe sowie Vervielfältigung dieser Unterlage, Verwertung und Mitteilung ihres Inhalts nicht gestattet, soweit nicht ausdrücklich zugelassen. Zuwiderhandlungen verpflichten zu Schadenersatz. Alle Rechte für den Fall der Patenterteilung oder GM-Eintragung vorbehalten.

Copying of this document, and giving it to others and the use or communication of the contents thereof, are forbidden without express authority. Offenders are liable to the payment of damages. All rights are reserved in the event of the grant of a patent or the registration of a utility model or design.



1 FOR PLASTIC PARTS (POS. 1 AND 2):
 - LENGTHS: DIN 16901/130,
 - ANGLES, FORMS: DIN 7168-m, R,
 FOR METAL PARTS (POS. 3 AND 4): DIN 7168-m,
 FOR SCREWS (POS. 5 AND 6): DIN 7981 F-H.

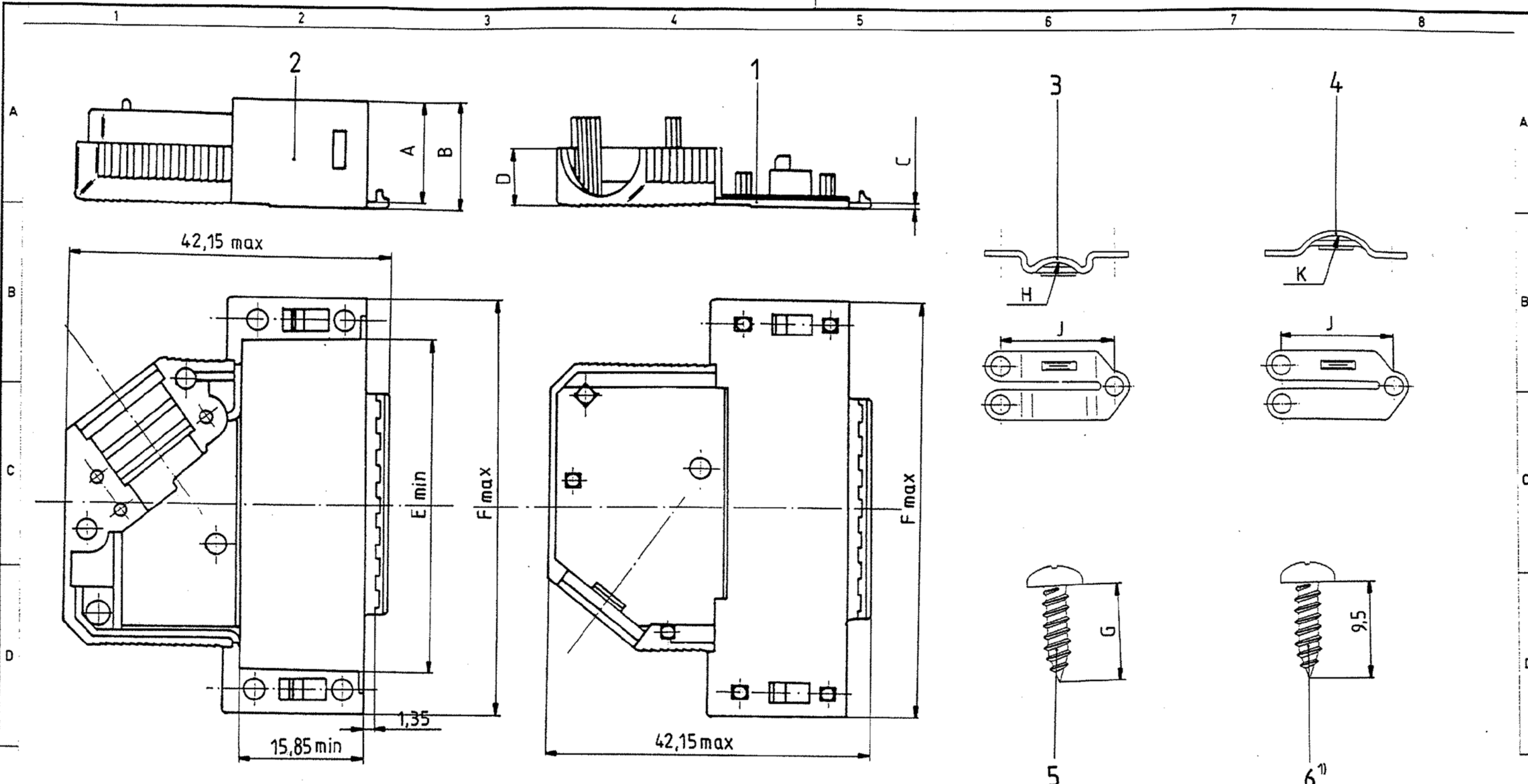
P/N 9 contacts version: V42254-A6000-K*09

						Maßstab Tyco Electronics Corporation Oostkamp - Belgium	
B	ECO-12-008266	24AUG12	CV	DATE	26.03.87	D-Sub Housing unshielded 9 contacts	
A2	ECR-10-017904	09DEC10	RK	NAME	De Petter		
A1	ECR-09-024033	16-02-10	RK	APP.	PD Com P&SE		
A	WO00/7013	03.07.00	KV				
03	WB89/176	27.06.89	VH	TOLERANCES UNLESS OTHERWISE SPECIFIED: 		V42254-A6000-K***-*-27 customer drawing number: C 1-1393738-0	
02	WB88/166	15.09.88					
01		02.05.88					
Zust	Mitteilung	Datum	Name			SHT.	1+
						OF 4	

da la reproducción total o parcial de este documento, así como su uso indebido y/o su explotación o comunicación a terceros. De las infracciones se exigirá el correspondiente resarcimiento de daños y perjuicios. Se reserva todos los derechos para el caso de la concesión de patentes de invención o el registro de Modelo Industrial.

Wiedergabe sowie Vervielfältigung dieses Diagramms, Verbreitung und Mitteilung desselben, sind ausdrücklich untersagt. Sowohl die Herstellung als auch die Verbreitung von Kopien sind strafbar. Alle Rechte vorbehalten. Falls der Patentschutz durch die GEM-Lizenzierung vorbehalten ist.

Copying of this document, and giving it to others and the use or communication of the contents thereof, are forbidden without express authority. Offenders are liable to the payment of damages. All rights are reserved in the event of the grant of a patent or the registration of a utility model or design.



housing		dimension									
P/N	No. of contacts	A	B	C	D	E	F	G	H	J	K
V42254-A6000-											
K × 15	15					28,4	39,62		R3	14,5	R4,5
K × 25	25	13	14	1	7,5	42,2	53,52	6,5	R4	16	R5,5
K × 37	37					58,65	69,8				
K × 50	50	16	17,5	1,5	9,5	56,18	67,41	9,5	R5,5	20,6	R7

1) only for the 37 contacts version
drawn is the 25 contacts version

				Tyco Electronics Tyco Electronics Corporation Oostkamp - Belgium	
		DATE 26.03.87 NAME De Petter APP. PD Com P&SE		D-Sub Housing unshielded 15 to 50 contacts	
		TOLERANCES UNLESS OTHERWISE SPECIFIED:		V42254-A6000-K***-*-27	
		B SEE SHEET 1.		SHT. 2-	
Zust	Mitteilung	Datum	Name	customer drawing number: C 1-1393738-0	

V 4 2 2 5 4 - A 6 0 0 * - K * * *

Housing type

K plastic housing, unshielded

Marking and colour of the housing

- 1 TE-marking, grey
- 2 without marking, grey
- 3 TE-marking, black
- 4 without marking, black

Packaging	wire diameter	No. of contacts - housing size					
		0	1	2	3	4 ³⁾	
set 1)	4-8					09	9 contacts - housing size 1
200 2)	4-6					15	15 contacts - housing size 2
200 2)	5-10					25	25 contacts - housing size 3
200 2)	5-11					37	37 contacts - housing size 4
200 2)	5-8,5					50	50 contacts - housing size 5
200 2)	6-8						
200 2)	6-8						
200 2)	8-10						
200 2)	8-10						
200 2)	8-10						
200 2)	8,5-1						
200 2)	8,5-1						
200 2)	10-11						
200 2)	10-11						
200 2)	9-14,5						
200 2)	9-12						
200 2)	12-14,5						
200 2)	9-14,5						

1) per set, in blister
 - 9 and 15 contacts : 25
 - 25, 37 and 50 contacts : 15
 2) loose pieces, in cardboard : 200
 3) only for : - V42254-A6004-G1**
 - V42254-A6004-+4**

Tyco Electronics
 Tyco Electronics Corporation
 Oostkamp - Belgium



SCALE WEIGHT

MATERIAL

DATE 26.03.87
 NAME De Petter
 DEP. PD Com P&SE
 EC

TOLERANCE UNLESS SPECIFIED OTHERWISE

PART NAME
D-Sub Housing unshielded

PART NO. V42254-A6000-K***-*-27 SHT. 3+

REV. CHANGE ORDER DATE APP. customer drawing number: C 1-1393738-0

OF 4

THIS INFORMATION IS CONFIDENTIAL AND PROPRIETARY TO TYCO ELECTRONICS CORPORATION AND ITS WORLDWIDE SUBSIDIARIES AND AFFILIATES. IT MAY NOT BE DISCLOSED TO ANYONE, OTHER THAN TYCO ELECTRONICS PERSONEL, WITHOUT WRITTEN AUTHORIZATION FROM TYCO ELECTRONICS CORPORATION, HARRISBURG, PENNSYLVANIA USA.

PROPRIETARY:

1 2 3 4

A

B

C

D

E





F

Active part numbers. Contact
Tyco Electronics for
other configuration availability

Old Part Number	TE Part Number	
V42254-A6000-K109	1-1393738-0	
V42254-A6000-K115	1-1393738-1	
V42254-A6000-K125	1-1393738-2	
V42254-A6000-K137	1-1393738-3	
V42254-A6000-K150	1-1393738-4	OBSOLETE
V42254-A6000-K315	1-1393738-6	
V42254-A6001-K125	4-1393738-7	SUPERSEDED BY 1-1393738-2
V42254-A6004-K109	7-1393738-3	OBSOLETE
V42254-A6004-K115	7-1393738-4	OBSOLETE
V42254-A6004-K137	7-1393738-6	OBSOLETE
V42254-A6004-K150	7-1393738-7	
V42254-A6004-K309	1-1393739-5	SUPERSEDED BY 1-1393738-0, 5-1393738-3
V42254-A6004-K315	7-1393738-8	OBSOLETE
V42254-A6004-K325	1-1393739-6	OBSOLETE
V42254-A6004-K337	1-1393739-7	SUPERSEDED BY 1-1393738-3
V42254-A6004-K350	1-1393739-8	SUPERSEDED BY 1-1393738-4
V42254-A6004-K409	7-1393738-9	OBSOLETE
V42254-A6004-K415	8-1393738-0	OBSOLETE
V42254-A6004-K425	8-1393738-1	OBSOLETE
V42254-A6004-K450	8-1393738-2	OBSOLETE

THIS INFORMATION IS CONFIDENTIAL AND PROPRIETARY TO TYCO ELECTRONICS CORPORATION AND ITS WORLDWIDE SUBSIDIARIES AND AFFILIATES. IT MAY NOT BE DISCLOSED TO ANYONE, OTHER THAN TYCO ELECTRONICS PERSONEL, WITHOUT WRITTEN AUTHORIZATION FROM TYCO ELECTRONICS CORPORATION, HARRISBURG, PENNSYLVANIA USA.

PROPRIETARY:

 Tyco Electronics Corporation Oostkamp - Belgium		 SCALE	 WEIGHT
 DIMENSIONS IN MM		MATERIAL	
DATE	26.03.87	PART NAME D-Sub Housing unshielded	
NAME	De Petter		
DEP.	PD Com P&SE		
EC		PART NO. SHT. 4-	
TOLERANCE UNLESS SPECIFIED OTHERWISE		V42254-A6000-K***-*-27	
REV.	CHANGE ORDER	DATE	APP.
1			customer drawing number: C 1-1393738-0
		OF 4	

1 2 3 4

X-ON Electronics

Largest Supplier of Electrical and Electronic Components

Click to view similar products for [D-Sub Tools & Hardware](#) category:

Click to view products by [TE Connectivity](#) manufacturer:

Other Similar products are found below :

[000-01-09-132](#) [000-01-21-132](#) [000-01-31-162](#) [572019-00105-70](#) [000-01-37-162](#) [621-250-113-115](#) [D110550-2](#) [D20418-137](#) [780-518-50SG6-WS](#) [86552009](#) [86553115TLF](#) [86553117TLF](#) [1230032-1](#) [1-5021101-2](#) [15-000050](#) [1589283-4](#) [160-000-005R031](#) [16-000230](#) [160-025-004R031](#) [160-000-137R000](#) [160-020-209R000](#) [160X10909X](#) [164C03939A](#) [177-505-A-2-2](#) [1-966830-8](#) [21018-6](#) [2-1393560-9](#) [JS-1000](#) [L17D204182M3E](#) [L17D53018](#) [300X10779X](#) [160X10189X](#) [160X10419X](#) [162-000-050R000](#) [21018-5](#) [212561-3](#) [248C21550X](#) [CF15P](#) [QLOCKPOST-2](#) [D110277](#) [500-008NF1K-01](#) [500-008NF3R3KS-01](#) [500-017M09FN](#) [500-017M15MHN](#) [500-024M1](#) [500-068M3](#) [5-1393561-5](#) [C115373-0001](#) [C115373-0002](#) [3342-4-KIT](#)