

P	LTR	DESCRIPTION	DATE	DWN	APVD
B1		1.CHANGE TE LOGO 2.ADD LINE IDENTIFICATION 3.PN OBSOLETE 4.TERMINALS TOLERANCE CLARIFICATION	ECO-11-018616	03-MAY-12	P.L B.H.Y

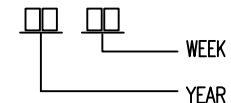


GENERAL TOLERANCE

Diagram dimension	Tolerance
0.99mm max.	±0.1mm
1 - 2.99mm	±0.2mm
3mm min.	±0.3mm

NOTE:

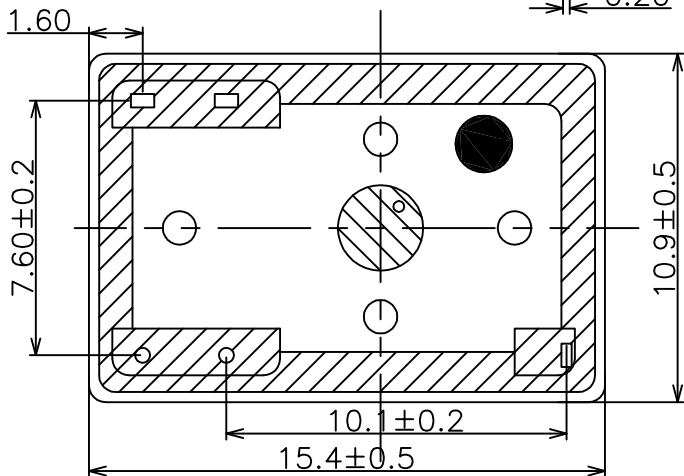
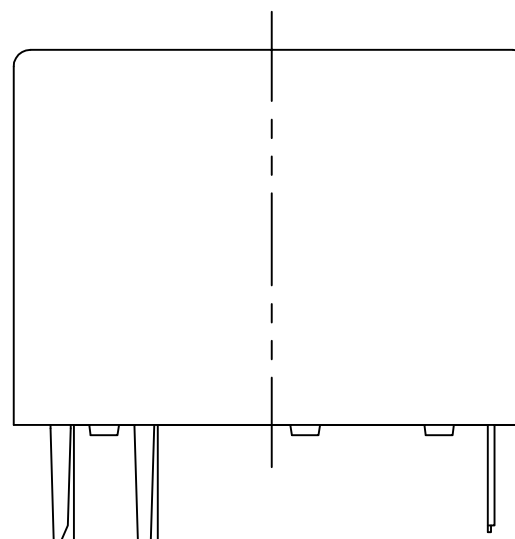
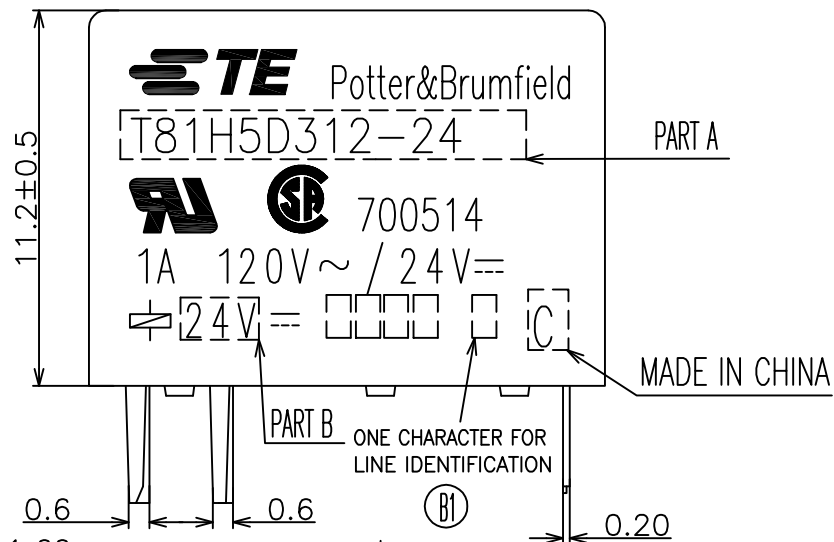
1.LOT NO. SYSTEM AS FOLLOWING:



ⓑ1 2.TERMINAL DIMENSIONS BEFORE SOLDER DIP

ⓑ1 3.FOR THE TIN-PLATING OF THE PINS:
+0.1mm FOR WIDTH, THICKNESS AND DIAMETER
+0.5mm FOR LENGTH

ⓑ1

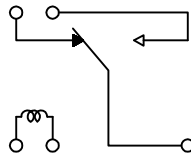
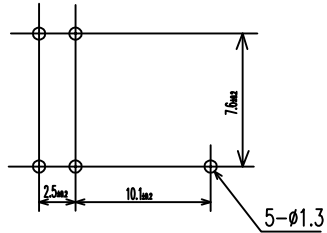


DWN ZHUAN,ZHOU			
CHK BANGHUA,YU			
APVD SUUNY ZHANG		T81 H/N CUSTOMER DRAWING	
PRODUCT SPEC		RESTRICTED TO	
APPLICATION SPEC		SIZE A3	RESTRICTED TO
MATERIAL		GAGE CODE	DRAWING NO. 1393779
SEE MATERIAL TABLE		SCALE 4:1	SHEET 1 OF 2
FINISH		REV B1	
DIMENSIONS: mm		RESTRICTED DRAWING	
TOLERANCES UNLESS OTHERWISE SPECIFIED:			
0 PLC ±			
1 PLC ±			
2 PLC ±			
3 PLC ±			
4 PLC ±			

LOC HB	DIST	REVISIONS						
		P	LTR	DESCRIPTION	ECN	DATE	DWN	APVD

PC Board Layout(Bottom View)


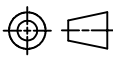
WIRING DIAGRAM (BOTTOM VIEW)



ACTIVE	6-1393779-9	T81N5D312-05	5V	T81N5D312-05	i
ACTIVE	7-1393779-2	T81N5D312-24	24V	T81N5D312-24	h
ACTIVE	7-1393779-1	T81N5D312-12	12V	T81N5D312-12	g
OBSOLETE	7-1393779-0	T81N5D312-09	9V	T81N5D312-09	f
ACTIVE	5-1393779-9	T81H5D312-24	24V	T81H5D312-24	e
ACTIVE	5-1393779-8	T81H5D312-12	12V	T81H5D312-12	d
OBSOLETE	5-1393779-7	T81H5D312-09	9V	T81H5D312-09	c
OBSOLETE	5-1393779-6	T81H5D312-06	6V	T81H5D312-06	b
ACTIVE	5-1393779-5	T81H5D312-05	5V	T81H5D312-05	a
STATUS	PART NO	DESCRIPTION	PART B	PART A	ITEM

ⓑ1

		UV	SEAL (FOR SEALED TYPE)	15
		SEAL GLUE	SEAL (CASE & BASE)	14
		3UEW	MAGNETIC WIRE	13
		HCP WIRE	COIL TERMINAL	12
		Ag ALLOY	B CONTACT	11
		Ag ALLOY	M CONTACT	10
		Ag ALLOY	MOVABLE CONTACT	9
		Cu ALLOY	B TERMINAL	8
		Cu ALLOY	M TERMINAL	7
		Cu ALLOY	MOVABLE SPRING	6
UL94V-0		PBT	BOBBIN	5
UL94V-0		PBT	CASE	4
		CSC C	CORE	3
	CuNi PLATING	SPCC	ARMATURE	2
	CuNi PLATING	SPCC	YOKE	1
INCOMBUSTIBILITY	TREATMENT	MATERIAL	DESCRIPTION	ITEM

DIMENSIONS: mm	TOLERANCES UNLESS OTHERWISE SPECIFIED: 0 PLC ± 1 PLC ± 2 PLC ± 3 PLC ± 4 PLC ±	DWN	ZHUAN,ZHOU	 TE Connectivity							
		CHK	BANGHUA,YU								
	MATERIAL SEE MATERIAL TABLE	APVD	SUUNY ZHANG		T81 H/N CUSTOMERT DRAWING						
		PRODUCT SPEC									
		APPLICATION SPEC		SIZE	GAGE CODE	DRAWING NO	RESTRICTED TO				
		FINISH		A3		1393779					
			WEIGHT	RESTRICTED DRAWING		SCALE	4:1	SHEET	2 OF 2	REV	B1

X-ON Electronics

Largest Supplier of Electrical and Electronic Components

Click to view similar products for [Low Signal Relays - PCB category](#):

Click to view products by [TE Connectivity manufacturer](#):

Other Similar products are found below :

[LZN4-US-DC12](#) [LZNQ4-US-DC24](#) [LZNQ4-US-DC48](#) [6-1393813-4](#) [6-1462039-0](#) [6-1617347-5](#) [6-1617353-3](#) [6-1617529-6](#) [617-12](#)
[M39016/20-054M](#) [M39016/27-030M](#) [67RPCX-3](#) [MAHC-5494](#) [D3493L](#) [7-1393809-0](#) [7-1393813-3](#) [741B8](#) [7556072001](#) [MF-11AM-24](#)
[MF1201N12](#) [MF-17A-24](#) [FBR244D012/02CP](#) [FBR244D024/02CS](#) [80.010.4522.1](#) [FL-4036](#) [FLH-11D-6](#) [831A7](#) [MMS124](#) [FTR-B4GA006Z](#)
[FW1102S06](#) [FW1201S39](#) [FW1210S02](#) [FW1521S01](#) [FW5A1201S14](#) [9-1393813-6](#) [9-1617582-5](#) [G6AK-2-H-DC5](#) [G6E-184P-ST-US-DC48](#)
[G6G234CDC24](#) [A07A939BZ1-0388](#) [A150-0005](#) [PZ-2A2420](#) [HB1-DC6V](#) [HB1-DC9V](#) [R10-14A10-240](#) [R10-14D10-12](#) [R10-5A10-120F](#)
[R10-E1L8-S200](#) [R10-E2468-1](#) [R10-E4Z2-V700](#)