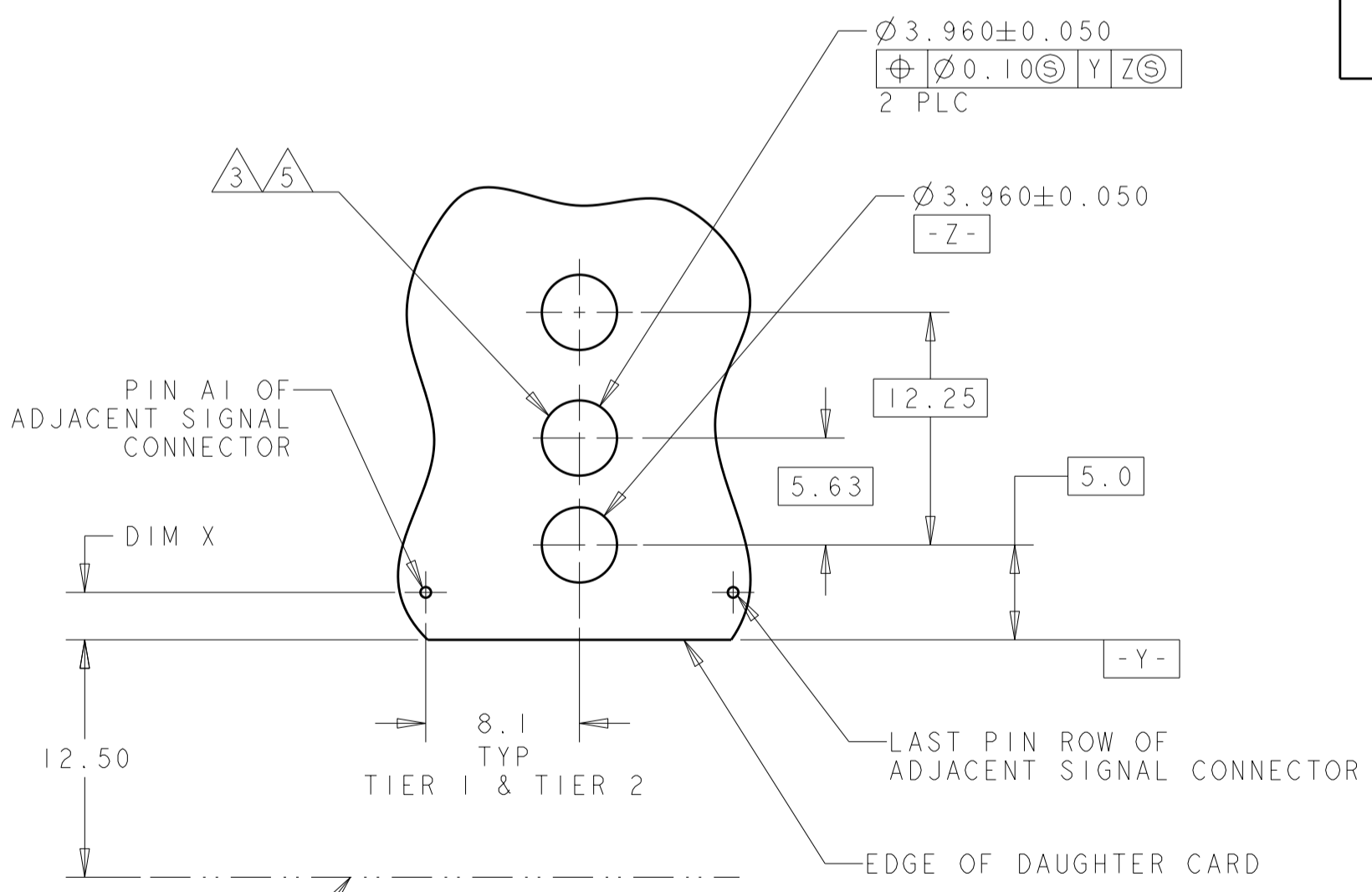
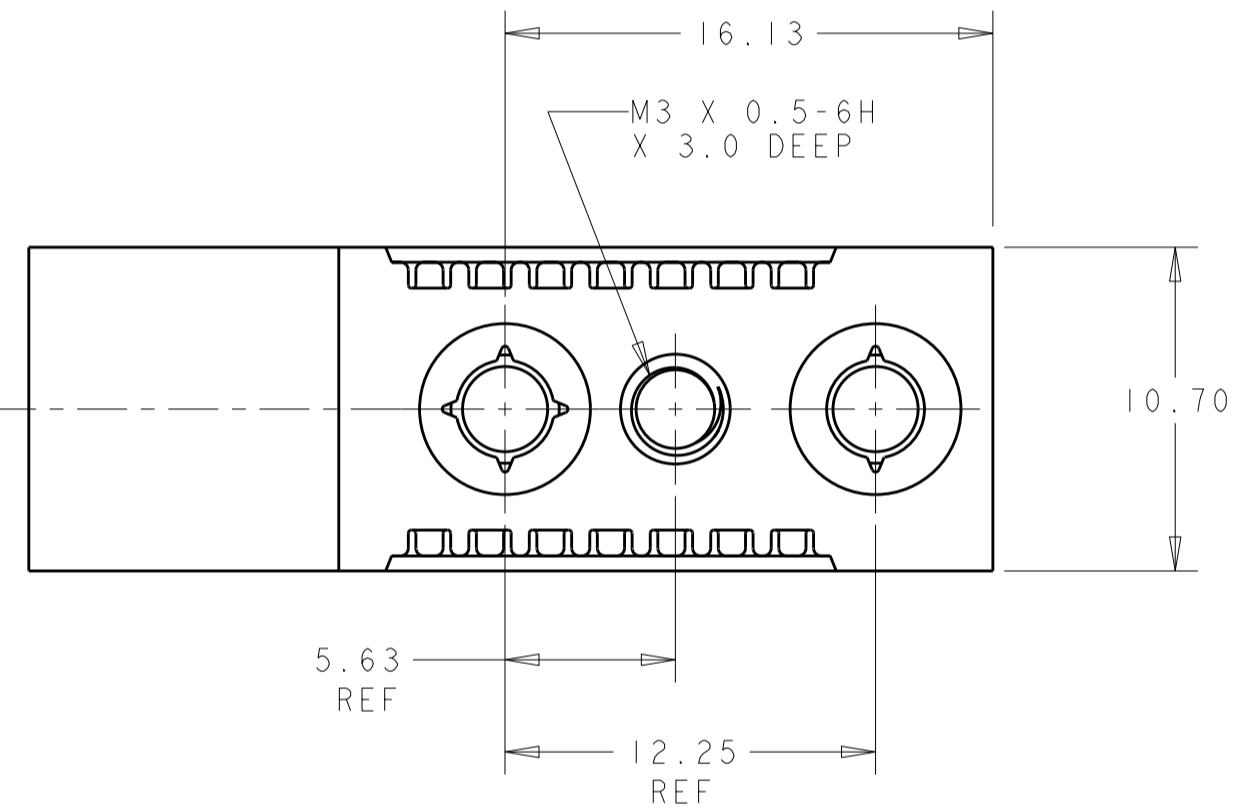
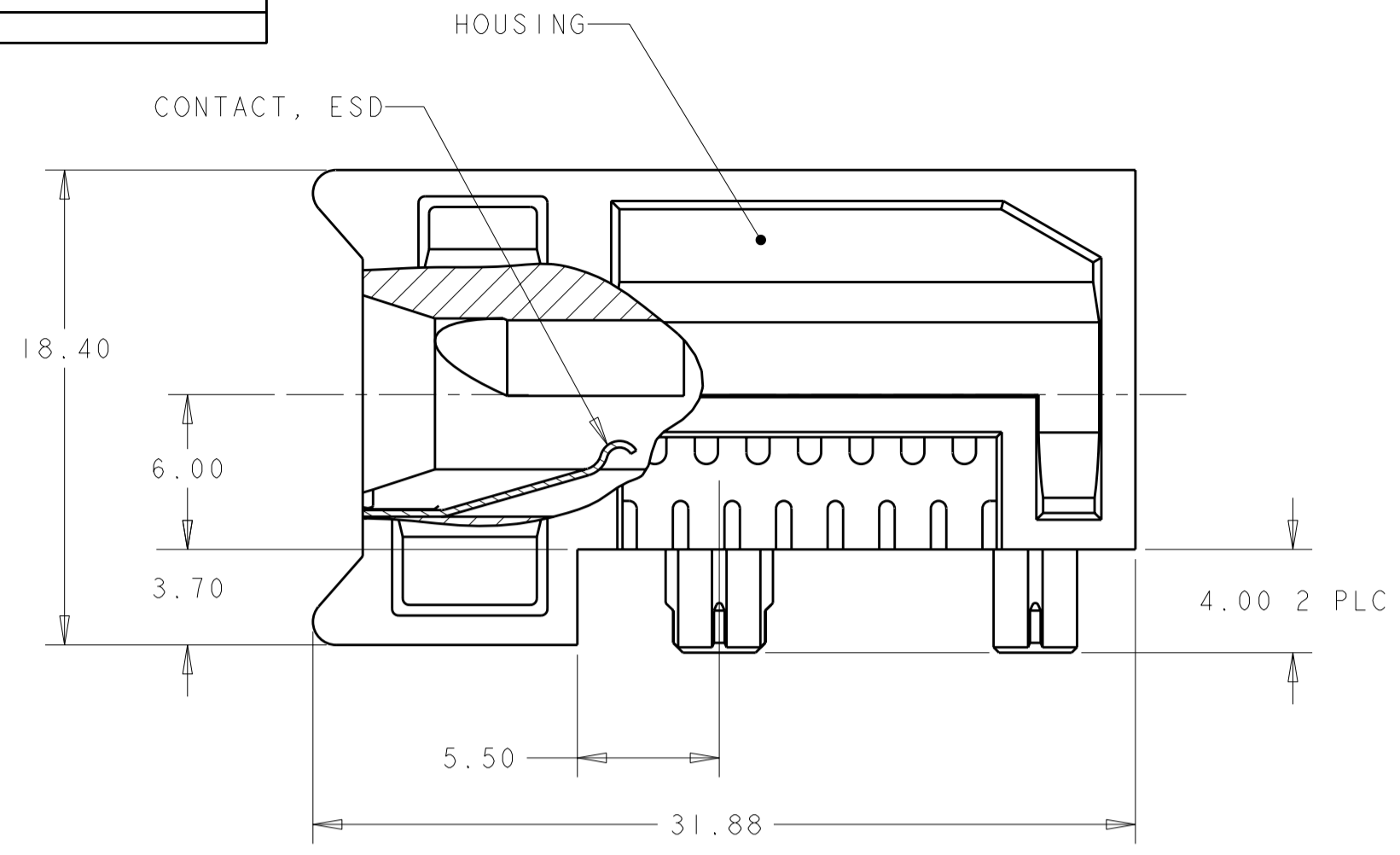
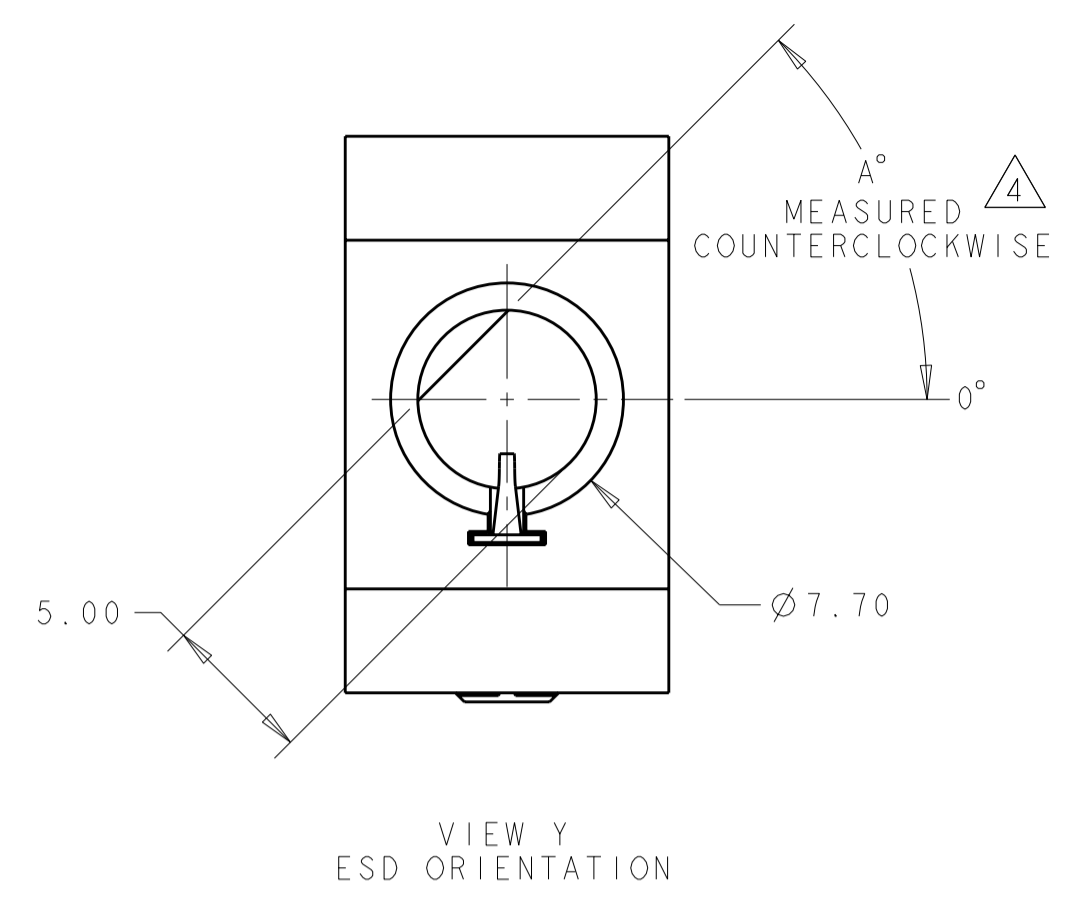


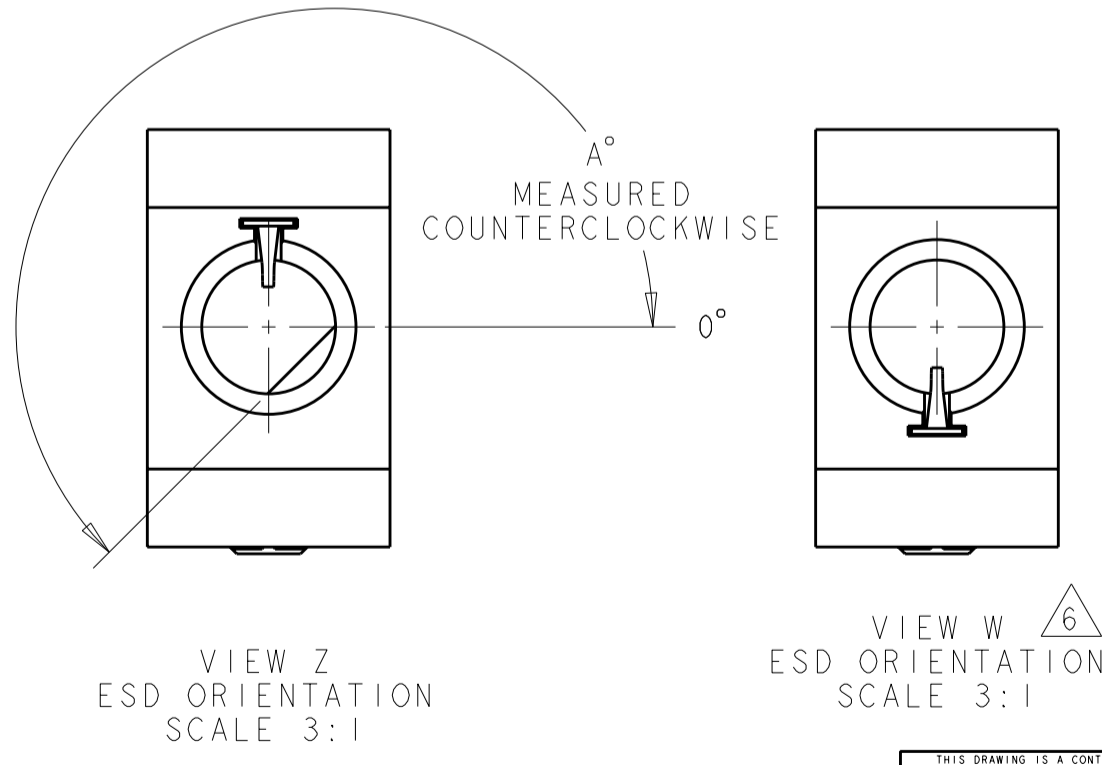
THIS DRAWING IS UNPUBLISHED. RELEASED FOR PUBLICATION 20  
 © COPYRIGHT 20 BY TYCO ELECTRONICS CORPORATION. ALL RIGHTS RESERVED.

LOC	DIST	REVISIONS					
GP	00	P	LTR	DESCRIPTION	DATE	DWN	APVD
		A		REV PER EC 0S12-0206-05	18APR2005	BC	GG
		A1		REV PER ECO-07-018424	04SEP2007	BC	GG
		A2		REVISED PER ECO-10-000445	25JAN2010	KK	HMR



DIM X	2.50	2.25
	TIER 1	TIER 2

PCB LAYOUT  
CONNECTOR SIDE  
SCALE 3:1



- 1 MATERIAL:  
HOUSING: ZINC ALLOY DIE CASTING, ZAMAK 3  
CONTACT: PHOSPHOR BRONZE
- 2 FINISH:  
HOUSING: CHROMATE CONVERSION COATING  
ESD CONTACT: 1.27µm MINIMUM NICKEL ALL OVER
- 3 HOLE FOR POSITIVE RETENTION SCREW
- 4 DASH NUMBERS INDICATE KEY ORIENTATION  
(P/N 1410297-2 SHOWN ON DRAWING)
- 5 GROUND PAD Ø5mm ON RETENTION HARDWARE SIDE OF PCB
- 6 GUIDE MODULE W/O KEYING,  
GUIDE PIN 1410548-2 & 1410548-3 MUST BE ORIENTED  
TO PROVIDE PROPER ESD PERFORMANCE
- 7 FINISH:  
HOUSING: NICKEL OVER COPPER.  
ESD CONTACT: 1.27µm MINIMUM NICKEL ALL OVER.
- 8
- 9 OBSOLETE PARTS: OBSOLETE CIS STREAMLINING PER  
D.RENAUD/D.SINISI

	VIEW W	6	7	1-1410297-9	
	VIEW Y	315°	7	1-1410297-8	
	VIEW Z	270°	7	1-1410297-7	
	VIEW Z	225°	7	1-1410297-6	
	VIEW Z	180°	7	1-1410297-5	
	VIEW Z	135°	7	1-1410297-4	
	VIEW Y	90°	7	1-1410297-3	
	VIEW Y	45°	7	1-1410297-2	
	VIEW Y	0°	7	1-1410297-1	
9	SUPERSEDED BY 1-1410297-9	VIEW W	6	2	1410297-9
9	SUPERSEDED BY 1-1410297-8	VIEW Y	315°	2	1410297-8
9	SUPERSEDED BY 1-1410297-7	VIEW Z	270°	2	1410297-7
9	SUPERSEDED BY 1-1410297-6	VIEW Z	225°	2	1410297-6
9	SUPERSEDED BY 1-1410297-5	VIEW Z	180°	2	1410297-5
9	SUPERSEDED BY 1-1410297-4	VIEW Z	135°	2	1410297-4
9	SUPERSEDED BY 1-1410297-3	VIEW Y	90°	2	1410297-3
9	SUPERSEDED BY 1-1410297-2	VIEW Y	45°	2	1410297-2
9	SUPERSEDED BY 1-1410297-1	VIEW Y	0°	2	1410297-1
	ESD ORIENTATION	A°		PART NUMBER	4

THIS DRAWING IS A CONTROLLED DOCUMENT FOR TYCO ELECTRONICS CORPORATION. IT IS SUBJECT TO CHANGE AND THE CONTROLLING ENGINEERING ORGANIZATION SHOULD BE CONTACTED FOR THE LATEST REVISION.

DIMENSIONS:	TOLERANCES UNLESS OTHERWISE SPECIFIED:	DWN	L.SIPE	26OCT2001
mm	0 PLC ±	CHK	D.DEFIBAUGH	26OCT2001
	1 PLC ±	APVD	G.GRIFFITH	18APR2005
	2 PLC ±0.13	PRODUCT SPEC		
	3 PLC ±0.013	APPLICATION SPEC		
	4 PLC ±	WEIGHT		
MATERIAL	FINISH	CUSTOMER DRAWING		

Tyco Electronics Corporation  
Harrisburg, PA 17105-3608

NAME: KEY/ESD GUIDE MODULE ASSEMBLY, 20.3mm, MULTIGIG, DAUGHTER CARD

SIZE: A2 CAGE CODE: 00779 DRAWING NO: 1410297 RESTRICTED TO: -

SCALE: 1:1 SHEET: 1 OF 1 REV: A2

## X-ON Electronics

Largest Supplier of Electrical and Electronic Components

*Click to view similar products for [High Speed/Modular Connectors](#) category:*

*Click to view products by [TE Connectivity](#) manufacturer:*

Other Similar products are found below :

[650827-1](#) [74040-1346](#) [1410191-1](#) [1410368-3](#) [1410964-2](#) [1410326-3](#) [1410367-3](#) [1410971-4](#) [1467833-1](#) [2000877-1](#) [2000878-1](#) [2041314-1](#)  
[2065387-1](#) [2187307-1](#) [163P](#) [1934290-1](#) [2000875-1](#) [2065917-1](#) [2102736-2](#) [FSR-40](#) [2169868-2](#) [22354-8](#) [437-5040-000](#) [5-1393565-0](#) [039-](#)  
[0246-000](#) [0740618502](#) [0761601016](#) [0784461022](#) [10123159-12ELF](#) [030-2415-003/100 PK](#) [030-7380-004](#) [030-2494-001](#) [532939-1](#) [5532901-](#)  
[3](#) [3-1469268-7](#) [74748-102LF](#) [10041743-101LF](#) [10066670-100002LF](#) [1-533915-1](#) [249-4515-000](#) [7-1469373-3](#) [DL2-2J/S](#) [2000713-8](#)  
[2000713-7](#) [10124313-101LF](#) [3011-21](#) [757105208](#) [430305-001](#) [4395800100](#) [8140115](#)