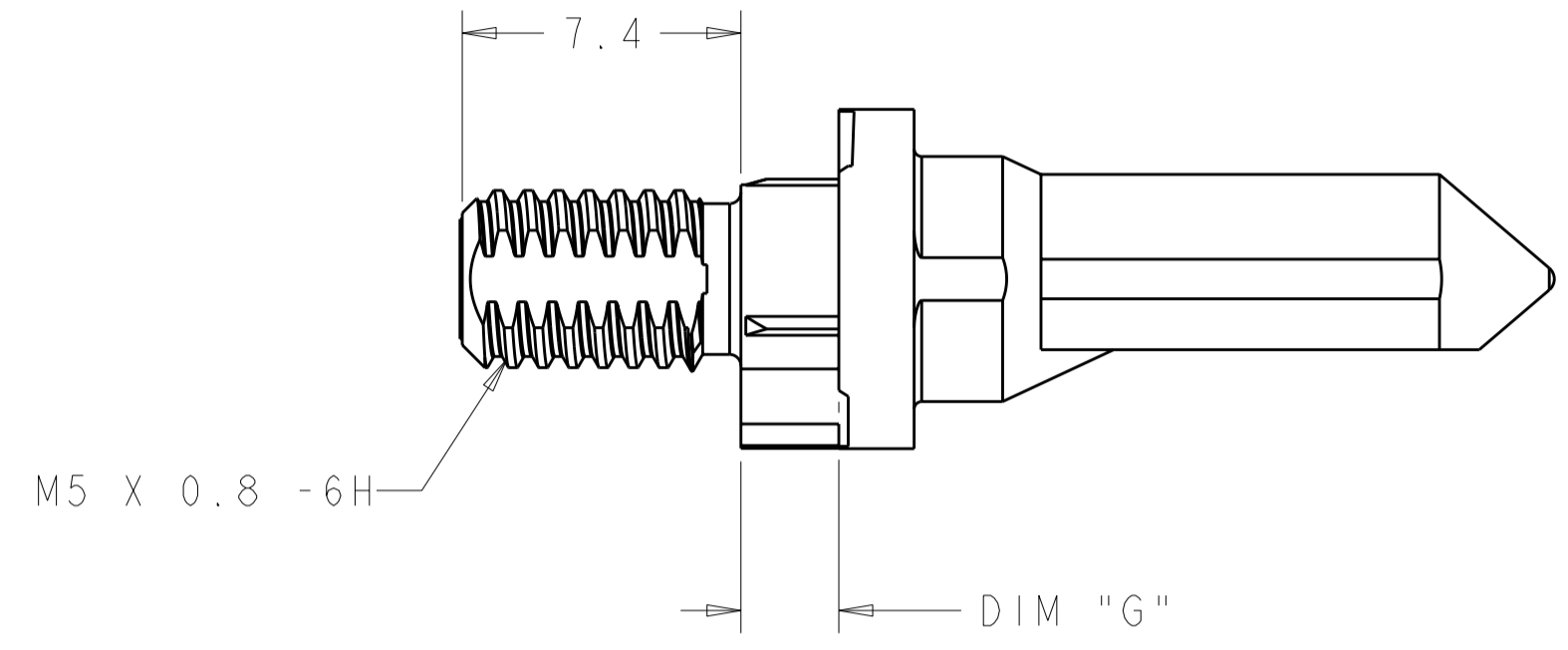
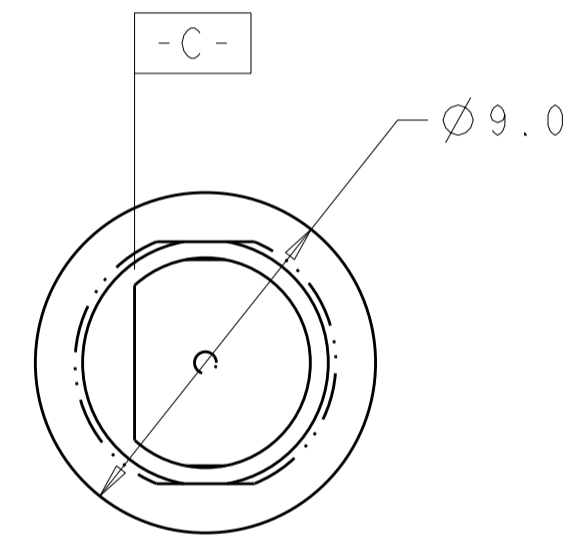
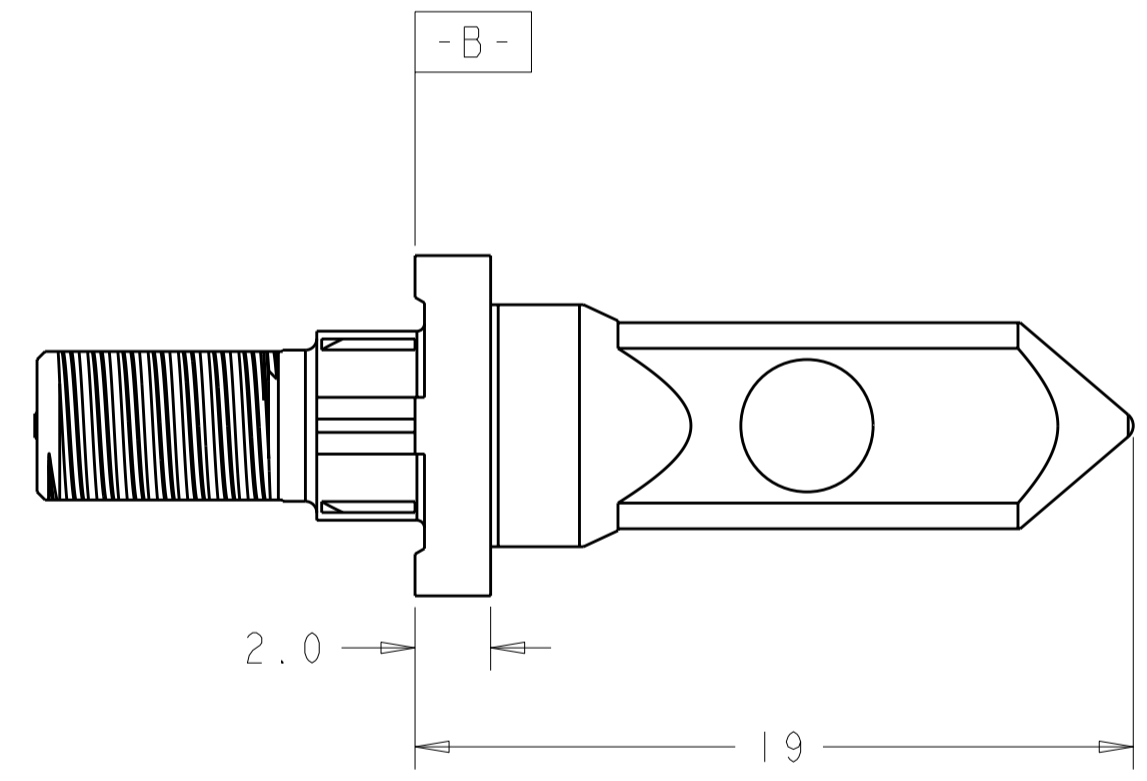
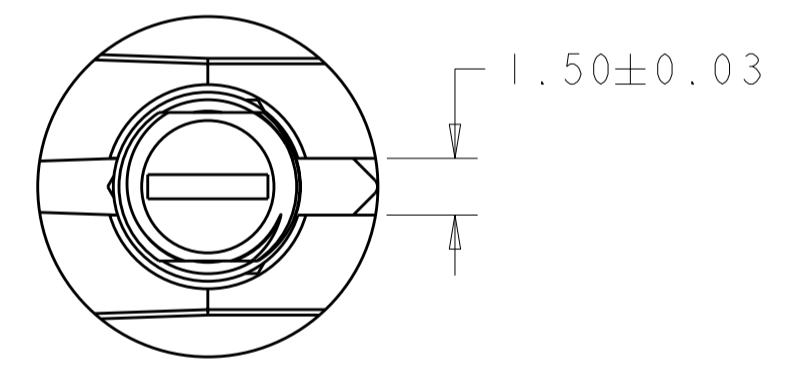


THIS DRAWING IS UNPUBLISHED. RELEASED FOR PUBLICATION 20
 © COPYRIGHT 20 BY TYCO ELECTRONICS CORPORATION. ALL RIGHTS RESERVED.

LOC		DIST		REVISIONS			
P	LTR	DESCRIPTION	DATE	DWN	APVD		
CG	00	A	REV PER ECO-09-022892	21OCT2009	BC	RP	



- 1 KEY HOLE ORIENTATION (DIM A) PER MATING GUIDE MODULE PART NUMBER TABLE (ORIENTATION SHOWN ON PCB LAYOUT IS FOR 1-1469492-2).
- 2 ANNULAR RING PLATED AROUND GUIDE PIN MOUNTING HOLE ON TOP AND BOTTOM SIDE OF BOARD.
- 3 FINISH:
3.81µm MINIMUM SILVER IN CONTACT AREA OVER NICKEL OVER COPPER ALL OVER.

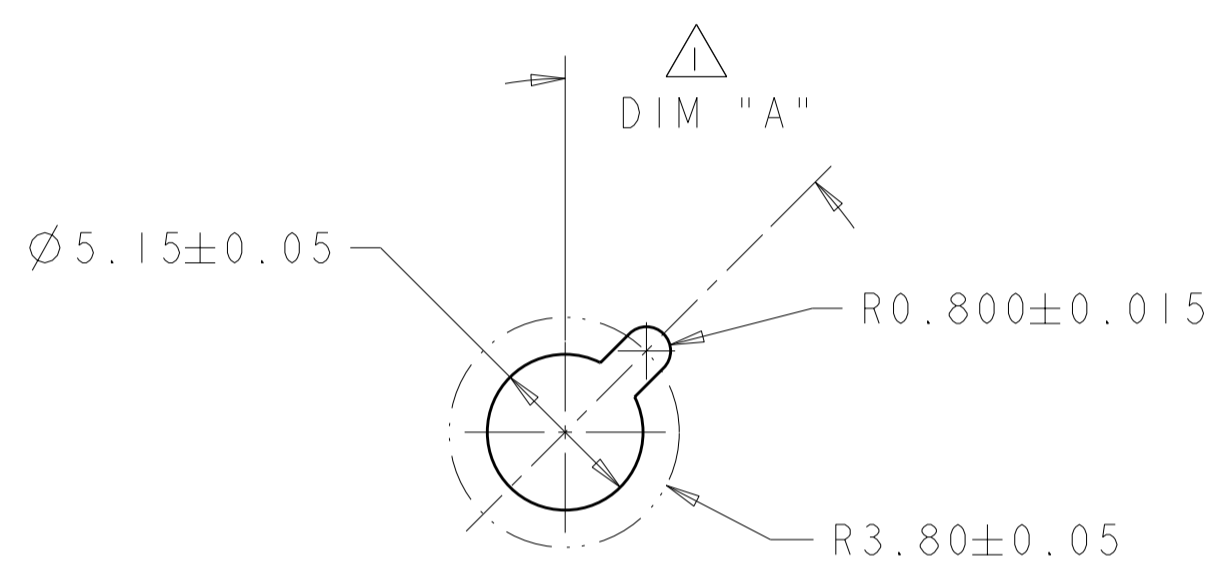


3	5.70	1-1410999-4
3	4.20	1-1410999-3
3	2.60	1-1410999-2
FINISH	DIM "G"	PART NUMBER

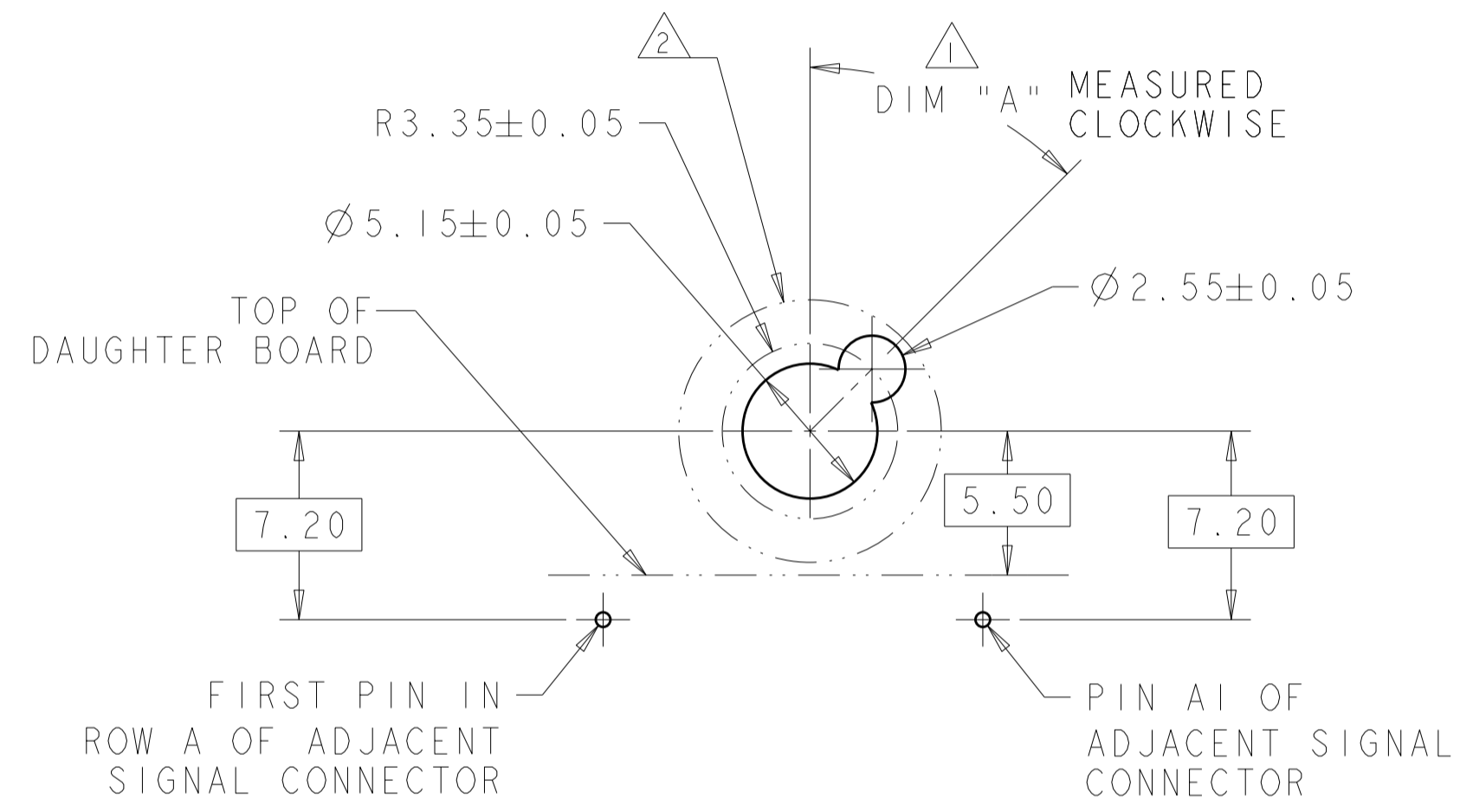
DIMENSIONS:		TOLERANCES UNLESS OTHERWISE SPECIFIED:		DWN		Tyco Electronics	
mm		0 PLC	±	B. CARBO	22AUG2006	Tyco Electronics Harrisburg, PA 17105-3608	
		1 PLC	±0.5	CHK	22AUG2006	NAME	
		2 PLC	±0.13	G. GRIFFITH	22AUG2006	KEYED GUIDE PIN, DIE CAST BACKPLANE CONNECTOR, MULTIGIG, THREADED POST	
		3 PLC	±0.013	APVD	22AUG2006	SIZE	
		4 PLC	±	G. GRIFFITH		CAGE CODE	
		ANGLES	±	PRODUCT SPEC	108-2072	DRAWING NO	
		FINISH	±	APPLICATION SPEC	114-13056	RESTRICTED TO	
				MATERIAL		-	
					WEIGHT	-	
						CUSTOMER DRAWING	
						SCALE 5:1 SHEET 1 OF 2 REV A	

THIS DRAWING IS UNPUBLISHED. RELEASED FOR PUBLICATION 20
 © COPYRIGHT 20 BY TYCO ELECTRONICS CORPORATION. ALL RIGHTS RESERVED.

LOC	DIST	REVISIONS					
CG	00	P	LTR	DESCRIPTION	DATE	DWN	APVD
		-		SEE SHEET 1			



ALTERNATE PCB LAYOUT FOR GUIDE POST
SCALE 4:1



TIER 2 GUIDE PIN FOOTPRINT
(20.3mm SIGNAL MODULES)
SCALE 4:1

3	-	1-1469492-9
3	315°	1-1469492-8
3	270°	1-1469492-7
3	90°	1-1469492-3
3	45°	1-1469492-2
3	0°	1-1469492-1
FINISH	DIM "A"	20.3mm GUIDE MODULE
MATING GUIDE MODULE 1		

THIS DRAWING IS A CONTROLLED DOCUMENT FOR TYCO ELECTRONICS CORPORATION. IT IS SUBJECT TO CHANGE AND THE CONTROLLING ENGINEERING ORGANIZATION SHOULD BE CONTACTED FOR THE LATEST REVISION.		DWN B. CARBO 22AUG2006	Tyco Electronics Harrisburg, PA 17105-3608	
DIMENSIONS: mm		CHK G. GRIFFITH 22AUG2006	NAME KEYED GUIDE PIN, DIE CAST BACKPLANE CONNECTOR, MULTIGIG, THREADED POST	
TOLERANCES UNLESS OTHERWISE SPECIFIED: 0 PLC ± 1 PLC ±0.5 2 PLC ±0.13 3 PLC ±0.013 4 PLC ± ANGLES ± FINISH		APVD G. GRIFFITH 22AUG2006	RESTRICTED TO	
MATERIAL		PRODUCT SPEC 108-2072	SIZE A2	CAGE CODE 00779
		APPLICATION SPEC 114-13056	DRAWING NO 1410999	REV A
		WEIGHT	SCALE 1:1 SHEET 2 OF 2	
		CUSTOMER DRAWING		

X-ON Electronics

Largest Supplier of Electrical and Electronic Components

Click to view similar products for [High Speed/Modular Connectors](#) category:

Click to view products by [TE Connectivity](#) manufacturer:

Other Similar products are found below :

[650827-1](#) [74040-1346](#) [1410191-1](#) [1410368-3](#) [1410964-2](#) [1410326-3](#) [1410367-3](#) [1410971-4](#) [1467833-1](#) [2000877-1](#) [2000878-1](#) [2041314-1](#)
[2065387-1](#) [2187307-1](#) [163P](#) [1934290-1](#) [2000875-1](#) [2065917-1](#) [2102736-2](#) [FSR-40](#) [2169868-2](#) [22354-8](#) [437-5040-000](#) [5-1393565-0](#) [039-](#)
[0246-000](#) [0761601016](#) [0784461022](#) [10123159-12ELF](#) [030-2415-003/100 PK](#) [030-7380-004](#) [030-2494-001](#) [532939-1](#) [5532901-3](#) [3-1469268-](#)
[7](#) [74748-102LF](#) [73670-0247](#) [10041743-101LF](#) [10066670-100002LF](#) [1-533915-1](#) [249-4515-000](#) [7-1469373-3](#) [DL2-2J/S](#) [2000713-8](#)
[2000713-7](#) [10124313-101LF](#) [3011-21](#) [757105208](#) [EBTF-4-10-2.0-S-RA-1](#) [430305-001](#) [4395800100](#)