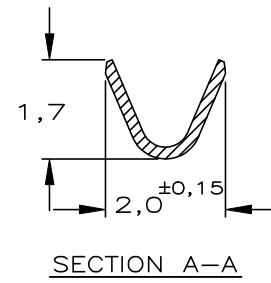
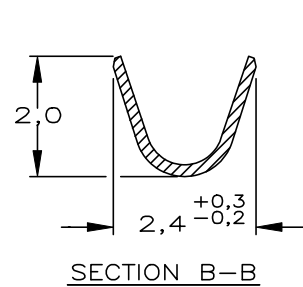
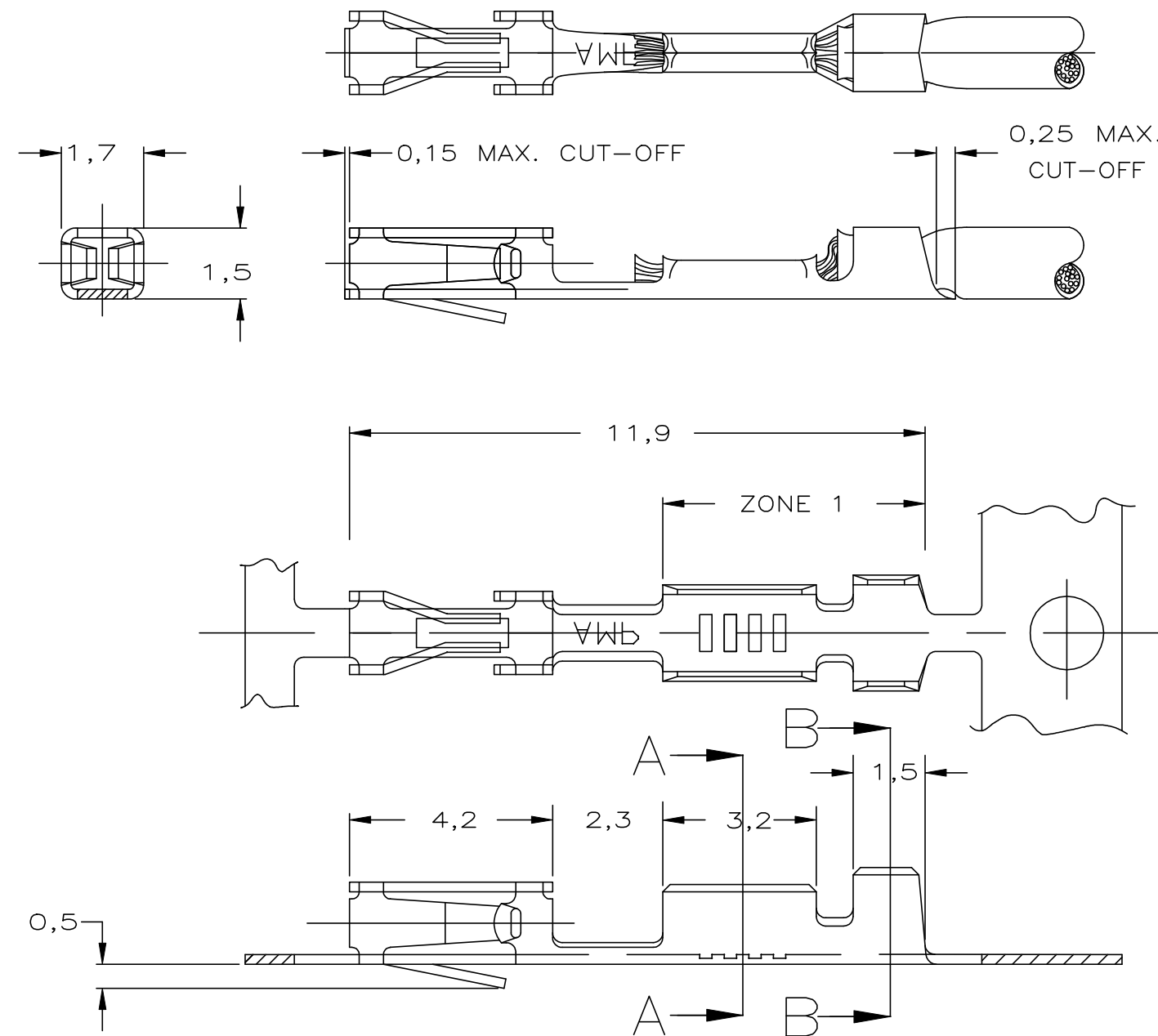


P	LTR	DESCRIPTION	DATE	DWN	APVD
	J4	General tolerance addition of +/-0.2	22AUG2019	KJK	PS

NOTES:

- 1 FOR MINI-APPLICATOR-CRIMPING.
- 2 UNDERCOATING:1,25µm Ni, SELECTIVE:0,8µm Au, ZONE 1: 0,5µm MIN. GOLD FLASH.
- 3 UNDERCOATING:1,25µm Ni, SELECTIVE:0,8µm Au, REMAINDER:GOLD FLASH.
- 4 UNDERCOATING:1,25µm Ni, SELECTIVE:0,4µm Au, NO GOLD FLASH.
- 5 UNDERCOATING:1,25µm Ni, SELECTIVE:2,0µm Au, REMAINDER:GOLD FLASH.
- 6 PRE-TINPLATED:2,0µm.
- 7 ZONE 1:BRIGHT TIN/LEAD PLATED.
- 8 MATERIAL: PHOSPHOR BRONZE
- 9 FOR STANDARD-APPLICATOR-CRIMPING.
- 10 FOR REELFED-HANDTOOL-CRIMPING
- 11 24-20 AWG (0,20-0,56 mm<sup>2</sup>) WITH .055 CRIMPER.  
26 AWG (0,12-0,14 mm<sup>2</sup>) WITH .042 CRIMPER.
- 12 OBSOLETE PARTS: OBSOLETE CIS STREAMLINING PER D.RENAUD/D.SINISI



WIRE RANGE	11
INSUL. RANGE	1,4 MAX.DIA.

THIS DRAWING IS A CONTROLLED DOCUMENT.		DWN R.VISSER 11-11-87	TE Connectivity	
DIMENSIONS: mm		CHK J.v.LIEMPT		
TOLERANCES UNLESS OTHERWISE SPECIFIED: ±0.2mm		APVD L.v.SOEST	NAME	
0 PLC ± -		PRODUCT SPEC	AMPMODU MOD IV RECEPTACLE,S.C.P.	
1 PLC ± -		APPLICATION SPEC	SIZE A3	CAGE CODE 00779
2 PLC ± -		WEIGHT -	DRAWING NO C=167301	RESTRICTED TO -
3 PLC ± -		CUSTOMER DRAWING	SCALE -	SHEET 1 OF 1
4 PLC ± -				REV J4
ANGLES ± -				
FINISH SEE TABLE				
MATERIAL				

## X-ON Electronics

Largest Supplier of Electrical and Electronic Components

*Click to view similar products for [Headers & Wire Housings](#) category:*

*Click to view products by [TE Connectivity](#) manufacturer:*

Other Similar products are found below :

[892-18-020-10-001101](#) [58102-G61-06LF](#) [582553-1](#) [0009485154](#) [009176003701906](#) [0050291907](#) [LY20-4P-DT1-P1E-BR](#) [02.125.8002.8](#)  
[609-3404](#) [61062-3](#) [61082-181009](#) [622-3653LF](#) [63453-116](#) [636-1030](#) [636-1427](#) [636-3427](#) [636-4007](#) [641938-9](#) [641991-4](#) [644827-2](#) [65817-](#)  
[010LF](#) [65817-015LF](#) [65863-015LF](#) [66207-023LF](#) [67095-007LF](#) [67601157](#) [68645-018](#) [68648-049](#) [70.362.1628.0](#) [70-4210](#) [70-4226B](#) [70-](#)  
[4853B](#) [707-5020](#) [707-5028](#) [71.350.2428.0](#) [71918-208LF](#) [71961-016LF](#) [733-134](#) [733-162](#) [754199-000](#) [760-3052](#) [787-8014-00](#) [79531-3000](#)  
[FCN-360C032-B](#) [FCN-367T-T012/H](#) [FCN-723D010/2](#) [80.063.4001.1](#) [800-90-001-10-001000](#) [800-90-010-10-002000](#) [801-43-002-10-013000](#)