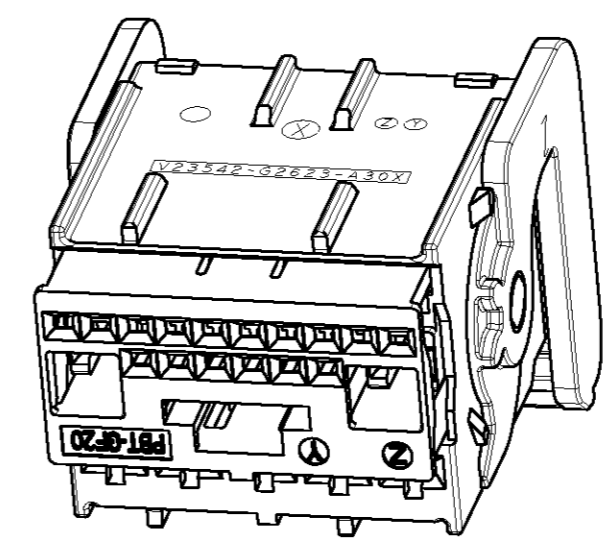
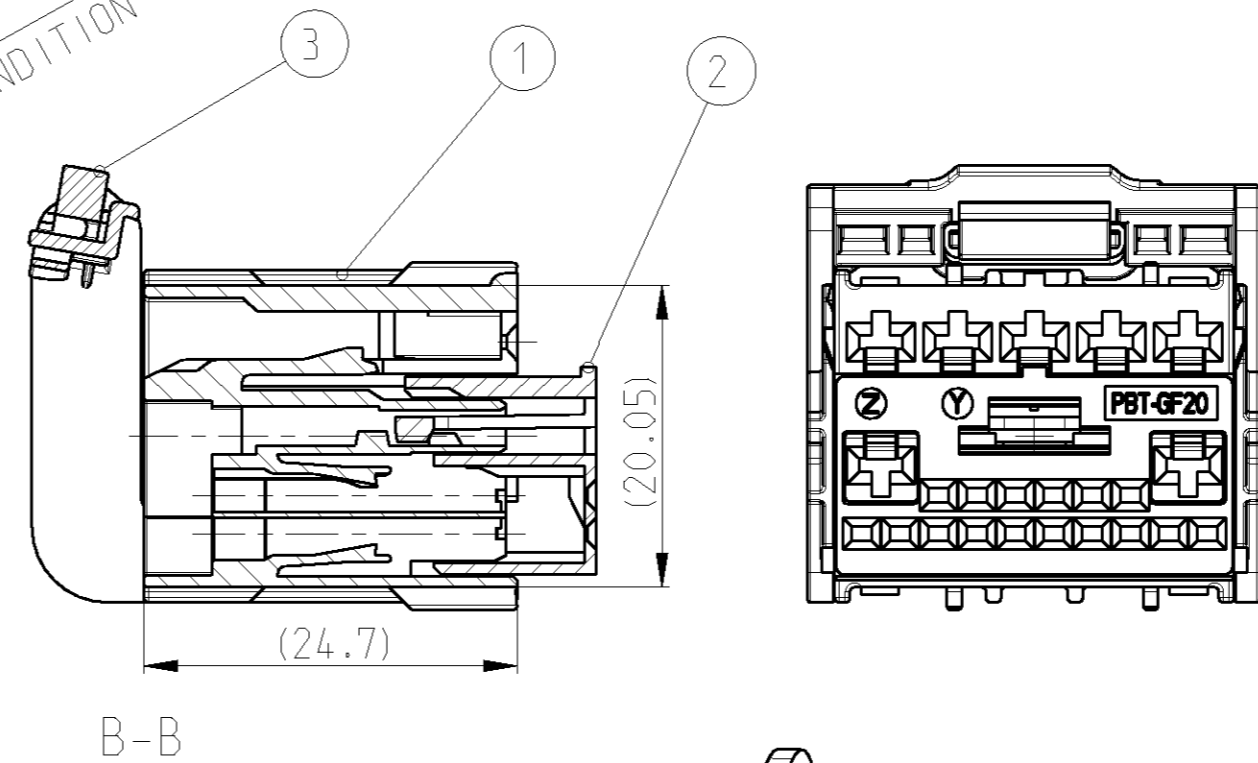
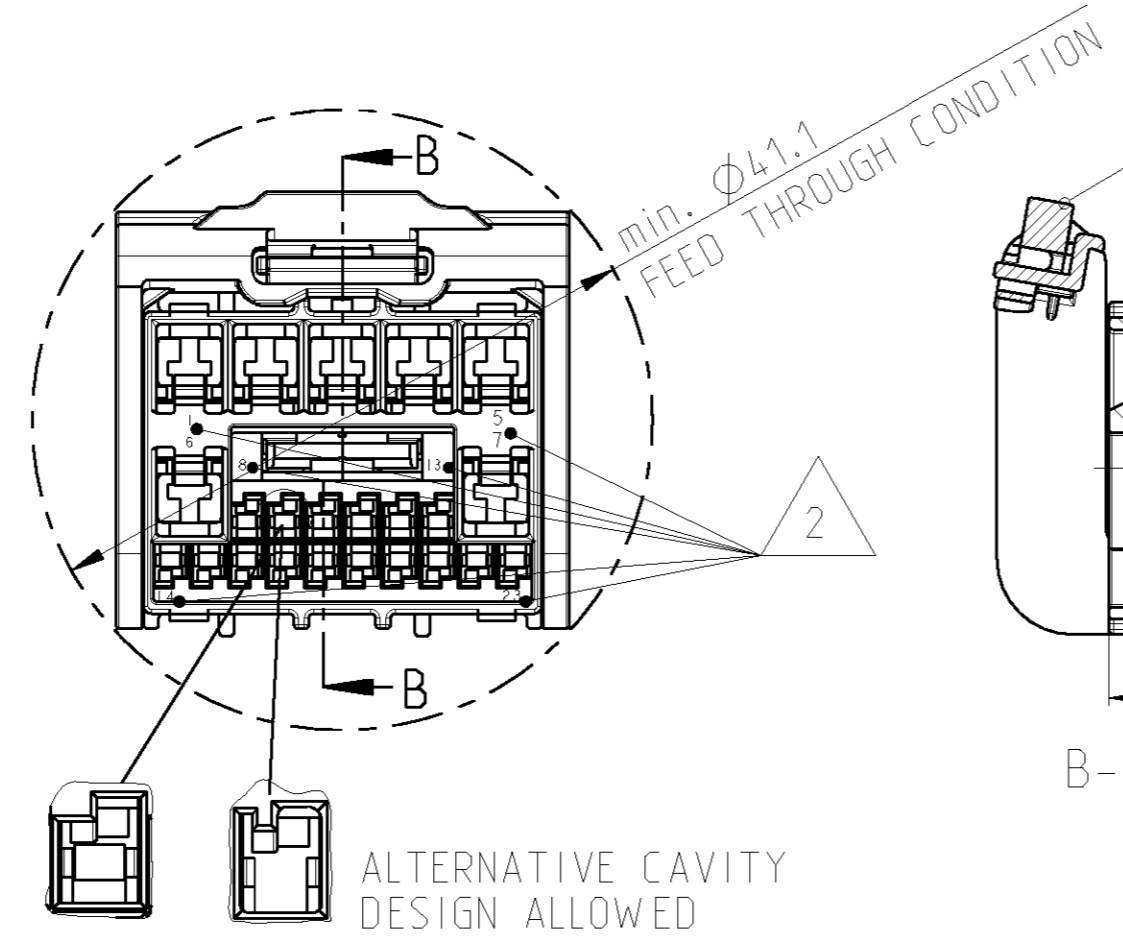
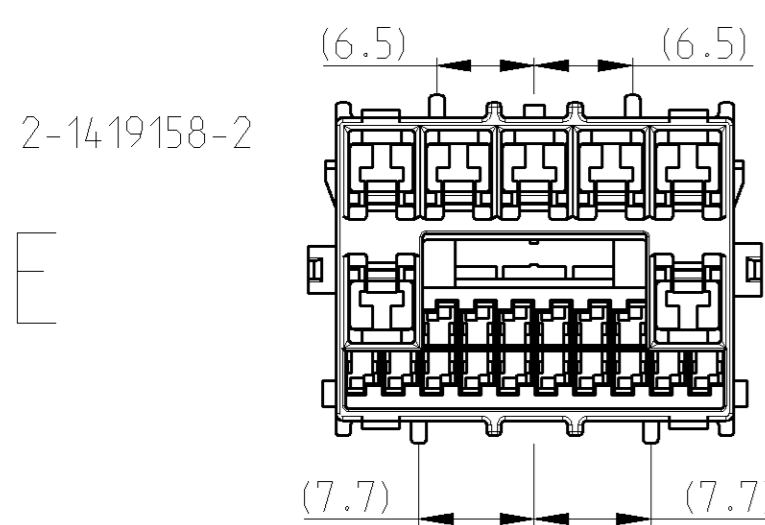
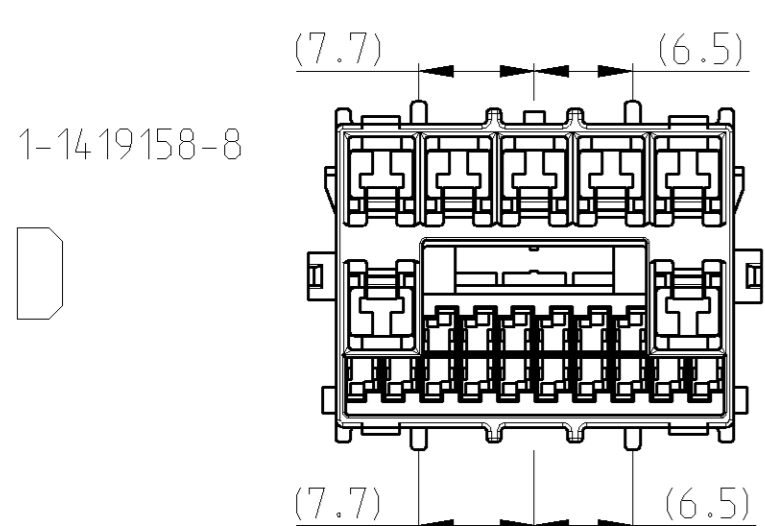
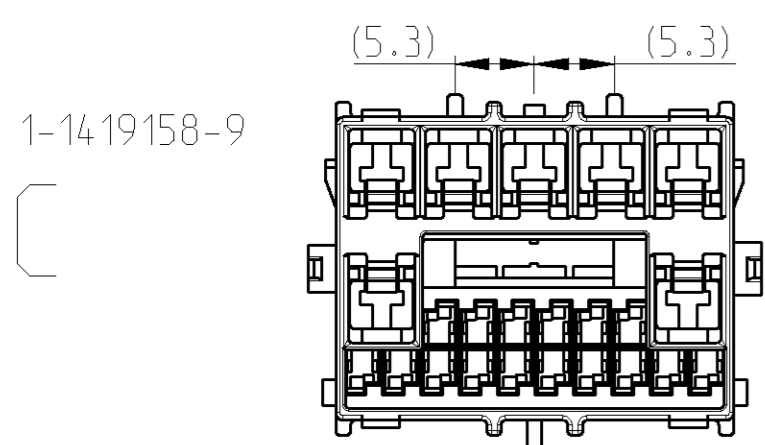
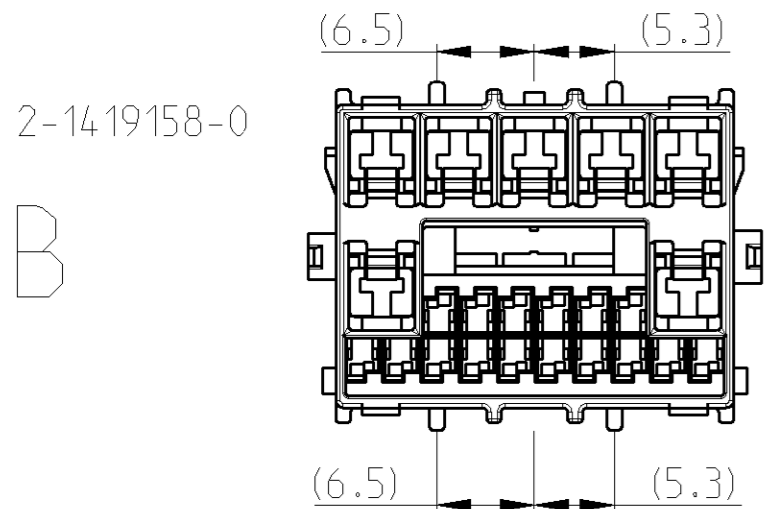
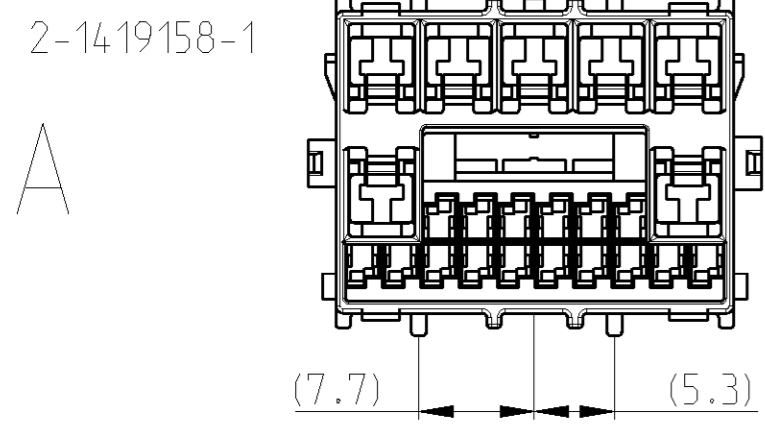


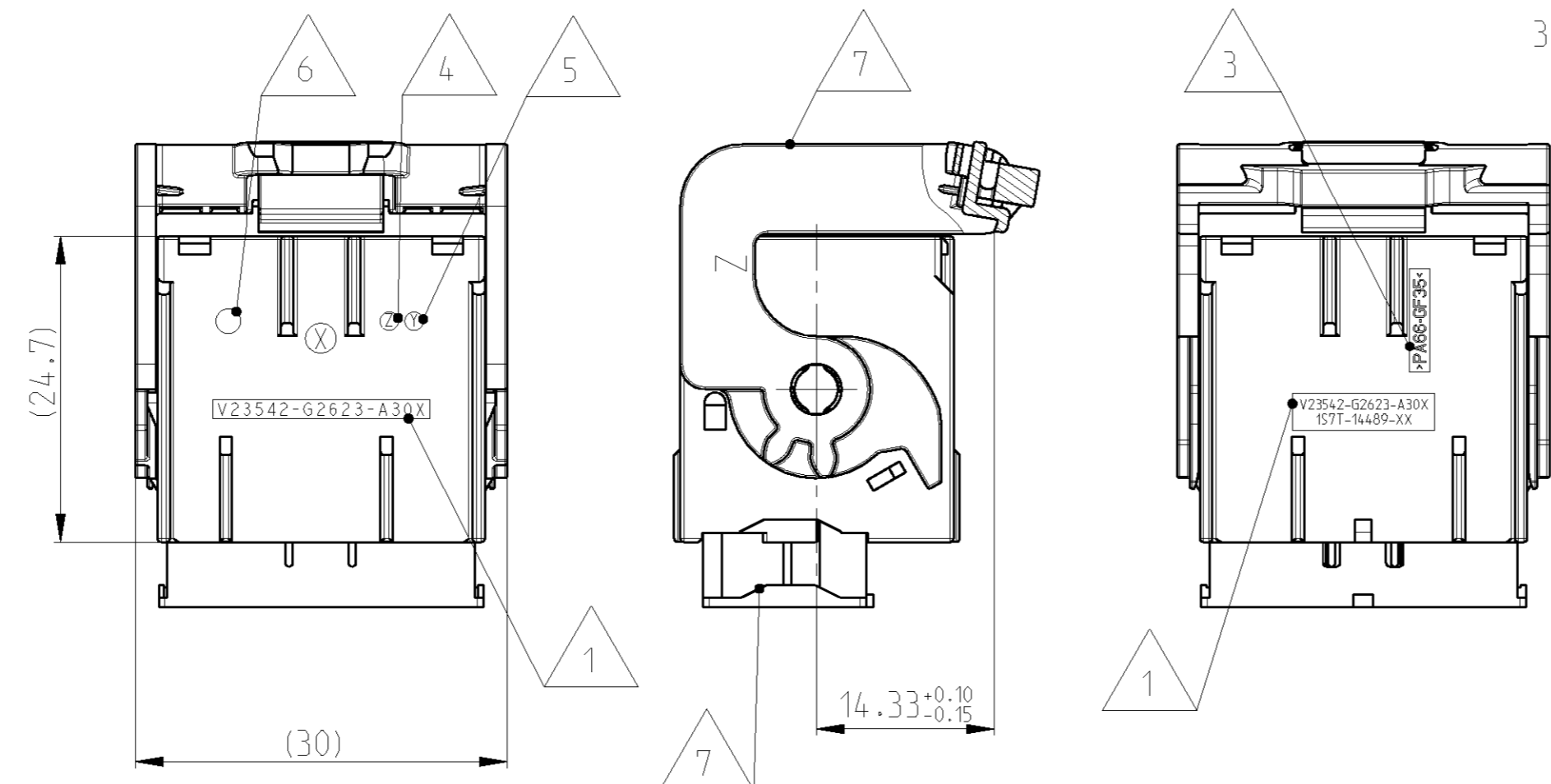
THIS DRAWING IS UNPUBLISHED. RELEASED FOR PUBLICATION 2007
 © COPYRIGHT 2007 BY TYCO ELECTRONICS CORPORATION. ALL RIGHTS RESERVED.

REVISONS				
P	LTR	DESCRIPTION	DATE	DWN APVD
	D	SEE ECR-07-013183	05JUN2007	HM GS

KEYING OPTIONS
(SHOWN WITHOUT LEVER)



3D VIEW



NOTES

- Bemerkungen
- 1 TYCO-EC ORDER NUMBER
Tyco-EC Bestellnummer
 - 2 CAVITY MARKING
Kammernummerierung
 - 3 MATERIAL MARKING
Werkstoffkennzeichnung
 - 4 REVISIONS NUMBER
Werkzeugaenderungsindex
 - 5 TOOL CAVITY MARKING
Nestmarkierung
 - 6 PRODUCTION-DATE
Produktionsdatum
 - 7 LEVER AND SPACER IN PRESET POSITION
Hebel und Spacer in Vorraststellung
 - 8 PACKAGING: LAYER PACKAGING IN SHIPPING BOX
Verpackung: Lagenverpackung

COD	TE V- NUMBER	TYCO ELECTRONICS PN	ASSY DESCRIPTION	REV	QTY	DESCRIPTION	MATERIAL	SURFACE COLOR	ITEM NO
E	V23542-G2623-A305	2-1419158-2	23POS. GEM-FEMALE CONNECTOR	D	1	LEVER	PBT-GF20	YELLOW	3
					1	SPACER	PBT-GF20	RED	2
					1	SOCKET HOUSING	PA66-GF35	BROWN	1
D	V23542-G2623-A304	1-1419158-8	23POS. GEM-FEMALE CONNECTOR	D	1	LEVER	PBT-GF20	YELLOW	3
					1	SPACER	PBT-GF20	RED	2
					1	SOCKET HOUSING	PA66-GF35	NATURAL	1
C	V23542-G2623-A303	1-1419158-9	23POS. GEM-FEMALE CONNECTOR	D	1	LEVER	PBT-GF20	YELLOW	3
					1	SPACER	PBT-GF20	RED	2
					1	SOCKET HOUSING	PA66-GF35	BLUE	1
B	V23542-G2623-A302	2-1419158-0	23POS. GEM-FEMALE CONNECTOR	D	1	LEVER	PBT-GF20	YELLOW	3
					1	SPACER	PBT-GF20	RED	2
					1	SOCKET HOUSING	PA66-GF35	GREEN	1
A	V23542-G2623-A301	2-1419158-1	23POS. GEM-FEMALE CONNECTOR	D	1	LEVER	PBT-GF20	YELLOW	3
					1	SPACER	PBT-GF20	RED	2
					1	SOCKET HOUSING	PA66-GF35	GREY	1

THIS DRAWING IS A CONTROLLED DOCUMENT FOR TYCO ELECTRONICS CORPORATION. IT IS SUBJECT TO CHANGE AND THE CONTROLLING ENGINEERING ORGANIZATION SHOULD BE CONTACTED FOR THE LATEST REVISION.

DWN: H.Meinhardt 31.07.2007
 CHK: G.Steinbach 31.07.2007
 APVD: G.Steinbach 31.07.2007

TYCO ELECTRONICS
 Tyco Electronics AMP GmbH
 D-84825 Bensheim

NAME: 23 POS. GEM-FEMALE CONNECTOR, ASSY

SIZE: A2 CAGE CODE: 00779 DRAWING NO: 1-1419158-8 RESTRICTED TO: -

SCALE: 2:1 SHEET 1 OF 1 REV D

X-ON Electronics

Largest Supplier of Electrical and Electronic Components

Click to view similar products for [Automotive Connectors](#) category:

Click to view products by [TE Connectivity](#) manufacturer:

Other Similar products are found below :

[003-018-000](#) [60993906-B](#) [M902-2131](#) [M902-2161](#) [M902-2344](#) [72.330.1035.1](#) [73.353.4028.0](#) [F166900](#) [F358300-B](#) [F407400](#) [776880-1](#)
[827153-1](#) [8N1515-32-24P](#) [9-1326729-8](#) [925474-1](#) [928905-1](#) [964562-4](#) [968782-1](#) [98891-1012](#) [12004475-L](#) [12020308](#) [12041318-B](#)
[12052466](#) [12064869](#) [12015909](#) [1-21030-1](#) [12041254](#) [12041318](#) [12047946-B](#) [12110546-B](#) [12131792](#) [12084688](#) [12092346](#) [HD34-18-14PT](#)
[HD46-24-23SN-059](#) [HDB36-24-16PN-059](#) [HDP26-24-9SE-L015](#) [12185280](#) [12185550](#) [12336-12](#) [12191172-B](#) [12S](#) [13545280](#) [13577943](#)
[13681974](#) [13737722-B](#) [13830674](#) [13832576](#) [13849772](#) [13542772](#)