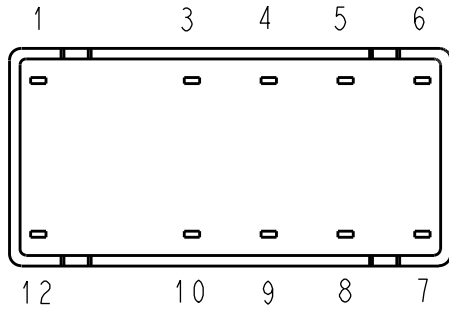
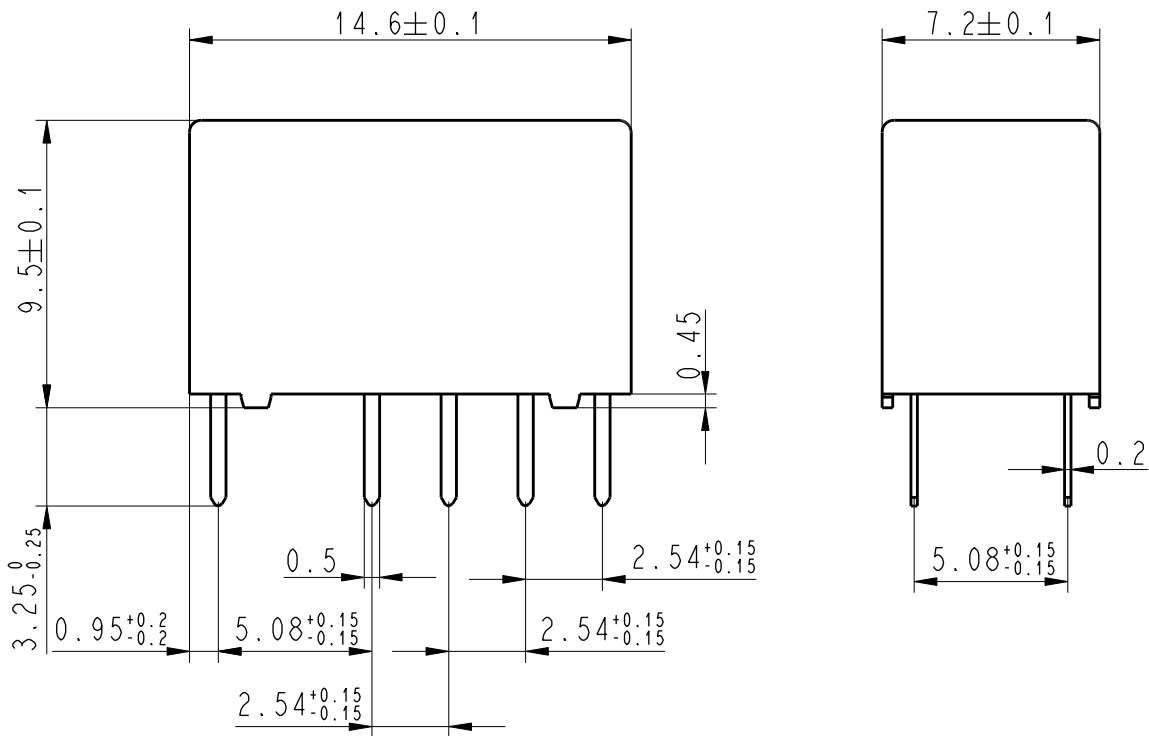


LOC	DIST	REVISIONS					
		P	LTR	DESCRIPTION	DATE	DWN	APVD
HJ	-		A6	Tolerance added	09SEP2009	UKo	HD
			B	Change marking	11SEP2009	UKo	HD
			C	Printing	10MAY2010	UKo	HD
			C1	Printing Date-Code	20AUG2010	UKo	HD



Relay - bottom view



xx = Relay type
YYWW = Date code

DRAWING ALIAS C23303-A079-A001

2006

RELEASED FOR PUBLICATION

THIS DRAWING IS UNPUBLISHED.

© COPYRIGHT 2006 BY TYCO ELECTRONICS CORPORATION. ALL RIGHTS RESERVED.

DIMENSIONS: mm	DWN	Korytak	02Jun2004	MATERIAL	-	FINISH	-
	CHK	Korytak	02Jun2004	Tyco Electronics AXICOM AG CZ-54101 Trutnov			
TOLERANCES UNLESS OTHERWISE SPECIFIED: DIN 7168-m	APVD	Korytak	02Jun2004				
	PRODUCT SPEC	-	-	NAME	P2-Relay THT Dimensions		
0 PLC ±-	APPLICATION SPEC	-	-	SIZE	A 4	CAGE CODE	00779
1 PLC ±	WEIGHT	-	-	DRAWING NO	C-1393789-5		RESTRICTED TO
2 PLC ±	CUSTOMER DRAWING			SCALE	4:1	SHEET	1 OF 1
3 PLC ±				REV	C1		
4 PLC ±							
ANGLES ±-							

X-ON Electronics

Largest Supplier of Electrical and Electronic Components

Click to view similar products for [Low Signal Relays - PCB category](#):

Click to view products by [TE Connectivity manufacturer](#):

Other Similar products are found below :

[LZN4-US-DC12](#) [LZNQ4-US-DC24](#) [LZNQ4-US-DC48](#) [6-1393813-4](#) [6-1462039-0](#) [6-1617347-5](#) [6-1617353-3](#) [6-1617529-6](#) [M39016/20-054M](#) [M39016/27-030M](#) [67RPCX-3](#) [MAHC-5494](#) [D3493L](#) [7-1393809-0](#) [7-1393813-3](#) [741B8](#) [7556072001](#) [MF-11AM-24](#) [MF1201N12](#) [MF-17A-24](#) [FBR244D012/02CP](#) [FBR244D024/02CS](#) [80.010.4522.1](#) [FL-4036](#) [FLH-11D-6](#) [831A7](#) [MMS124](#) [FTR-B4GA006Z](#) [FW1102S06](#) [FW1201S39](#) [FW1210S02](#) [FW1521S01](#) [FW5A1201S14](#) [9-1393813-6](#) [9-1617582-5](#) [G6AK-2-H-DC5](#) [G6E-184P-ST-US-DC48](#) [G6G234CDC24](#) [A07A939BZ1-0388](#) [A150-0005](#) [PZ-2A2420](#) [HB1-DC6V](#) [HB1-DC9V](#) [R10-14A10-240](#) [R10-14D10-12](#) [R10-5A10-120F](#) [R10-E1L8-S200](#) [R10-E2468-1](#) [R10-E4Z2-V700](#) [R10-T1L2N-115V](#)