

THIS DRAWING IS UNPUBLISHED. RELEASED FOR PUBLICATION
 © COPYRIGHT - By - ALL RIGHTS RESERVED.

LOC		DIST		REVISIONS			
P	LTR	DESCRIPTION		DATE	DWN	APVD	
	A	INITIAL RELEASE		20JULY2015	TJ	PS	

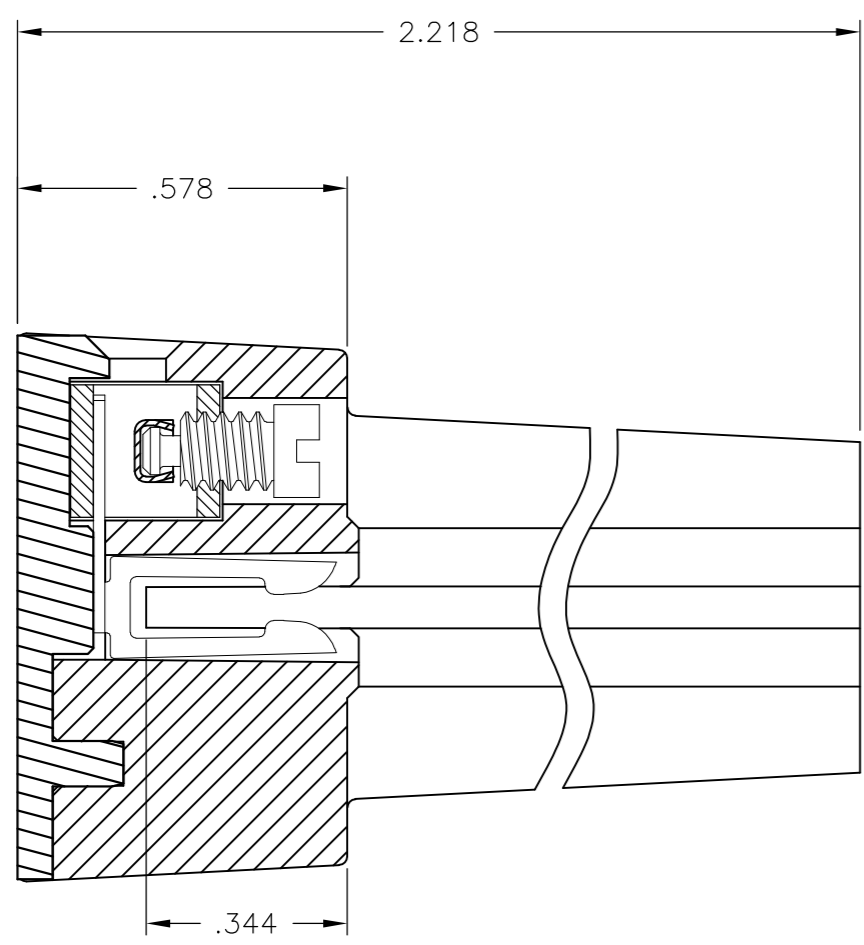
NOTES:

MATERIAL:
 HOUSING: POLYESTER, UL94V-0, BLACK.
 TUBULAR CONTACT: BRASS.
 PC CONTACT: PHOSPHOR BRONZE, GOLD OVER NICKEL PLATE.
 SCREW: 6-32, STEEL, ZINC+ CHROMATE FINISH.
 CLAMP: BRASS

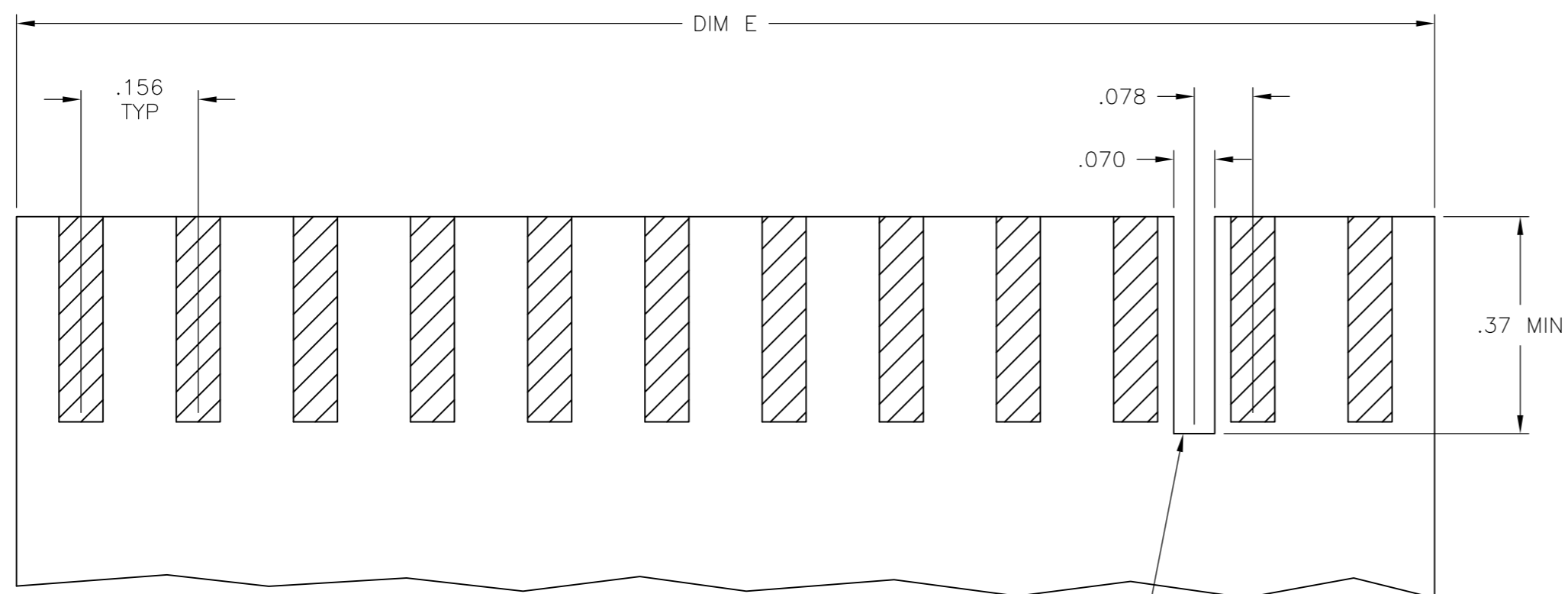
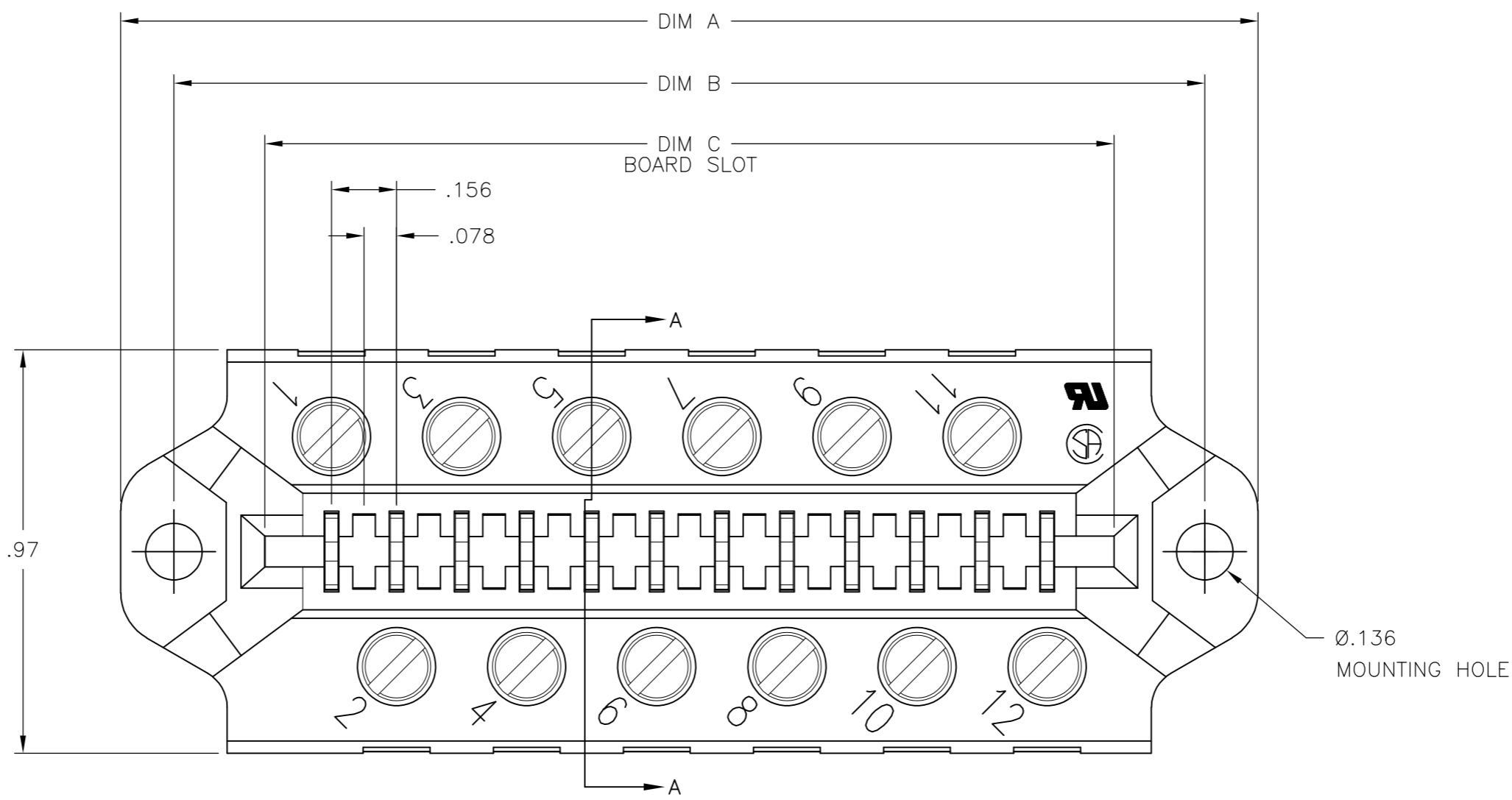
MECHANICAL:
 PITCH: .156"
 MOUNTING SCREW SIZE: #4 or #6
 WIRE STRIP LENGTH: .25"
 RECOMMENDED TIGHTENING TORQUE: 5-8 IN-LBS.
 BOARD INSERTION FORCE: 5.6 OZ. MAX PER CKT.
 BOARD SEPARATION FORCE: 1.8 OZ. MIN PER CKT

ELECTRICAL:
 MAX CURRENT: 10A.
 OPERATING VOLTAGE: 250V.
 DIELECTRIC WITHSTAND: 3000V
 WIRE RANGE: #14 SOLID/STRANDED ONLY.
 INSULATION RESISTANCE: 100 giga-ohms
 CONTACT RESISTANCE: 6 milliohms

ENVIRONMENTAL:
 OPERATING TEMP.: -65°C TO +140°C.



MATING BOARD DEPTH
 SECTION A-A



OPTIONAL POLARIZING NOTCH
 LOCATION PER CUSTOMER REQUIREMENT
 USE OPTIONAL POLARIZING KEY CAT. NO. PC17
 PN 1437410-5

RECOMMENDED PCB LAYOUT

	6.857	6.872	7.308	7.558	43	5-1437410-6
OBSOLETE	5.765	5.780	6.216	6.466	36	5-1437410-2
	5.141	5.156	5.592	5.842	32	4-1437410-8
	4.517	4.532	4.968	5.218	28	4-1437410-3
	3.581	3.596	4.032	4.282	22	3-1437410-9
	2.957	2.972	3.408	3.658	18	3-1437410-5
	2.645	2.660	3.096	3.351	16	3-1437410-2
	2.489	2.504	2.940	3.190	15	3-1437410-0
OBSOLETE	2.021	2.036	2.472	2.722	12	2-1437410-6
OBSOLETE	1.709	1.724	2.160	2.410	10	2-1437410-2
	1.397	1.412	1.848	2.098	8	1-1437410-9
STATUS	E	C	B	A	NO OF POSITIONS	TE PART NO

THIS DRAWING IS A CONTROLLED DOCUMENT.		DWN M THAJUDEEN 20JULY2015		
DIMENSIONS: INCHES		CHK NIMBENAPPA GANI 20JULY2015		
TOLERANCES UNLESS OTHERWISE SPECIFIED:		APVD PRASHANTH S 20JULY2015	NAME 0.156 INCH PITCH PCB1B SERIES SELECTIVE GOLD PLATED	
0 PLC ± - 1 PLC ± - 2 PLC ± .02 3 PLC ± .01 4 PLC ± - ANGLES ± 2°		PRODUCT SPEC	SIZE CAGE CODE DRAWING NO RESTRICTED TO	
MATERIAL SEE NOTES		FINISH SEE NOTES	A2 00779 C=1437410	
		WEIGHT -	SCALE NTS SHEET 1 of 1 REV A	
		CUSTOMER DRAWING		

X-ON Electronics

Largest Supplier of Electrical and Electronic Components

Click to view similar products for [Barrier Terminal Blocks](#) category:

Click to view products by [TE Connectivity](#) manufacturer:

Other Similar products are found below :

[6C1N03](#) [6PCR-02-008](#) [6PCR-05-008](#) [6PCR-08-008](#) [6PCR-21-006](#) [6PCV-06-008](#) [6PCV-10-009](#) [6PCV-15-008](#) [6STR-06-006](#) [6STR-08-006](#)
[6STR-12-008](#) [6STR-14-008](#) [6STR-16-008](#) [6STR-17-008](#) [6STR-21-008](#) [6STR-25-008](#) [6STR-27-008](#) [6STV-03-006](#) [6STV-03-008](#) [6STV-04-006](#) [6STV-10-006](#) [6WWR-03](#) [6WWV-12-008](#) [6WWV-16-008](#) [7-1546701-0](#) [72212603](#) [72503-C](#) [72504-C-50](#) [73203](#) [76007](#) [7604-501LF](#)
[77010-50](#) [796985-3](#) [796988-4](#) [7C1N08](#) [8-1437402-5](#) [8-1437402-7](#) [8-1546158-0](#) [870505](#) [870903](#) [8PCR-06-006](#) [8PCV-02-008](#) [8PCV-05-008](#)
[8PCV-09-006](#) [8PCV-15-006](#) [8PCV-17-006](#) [8QCR-03-008](#) [8STV-04-006](#) [9-1437402-3](#) [A103104](#)