

THIS DRAWING IS UNPUBLISHED. RELEASED FOR PUBLICATION
 © COPYRIGHT - By - ALL RIGHTS RESERVED.

LOC		DIST		REVISIONS			
P	LTR	DESCRIPTION	DATE	DWN	APVD		
	B	REVISED PER ECO-15-007842	23JUN2015	NG	PS		

D

C

B

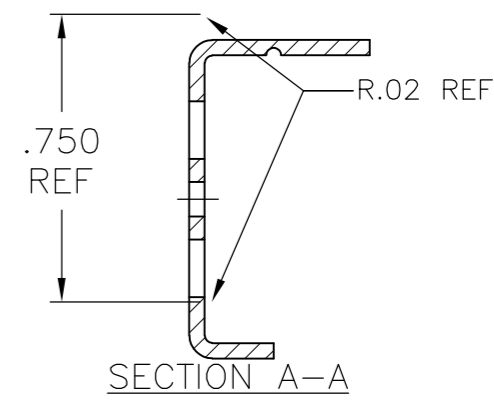
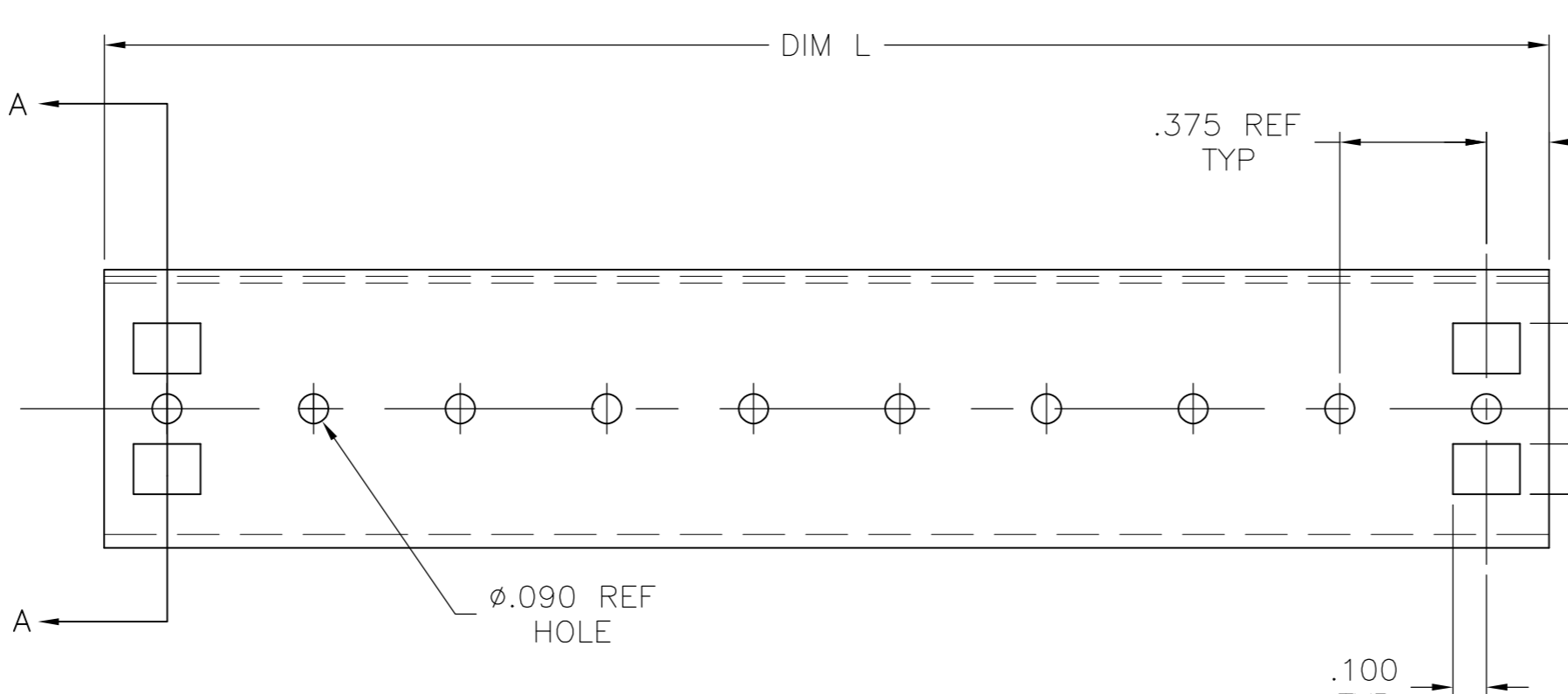
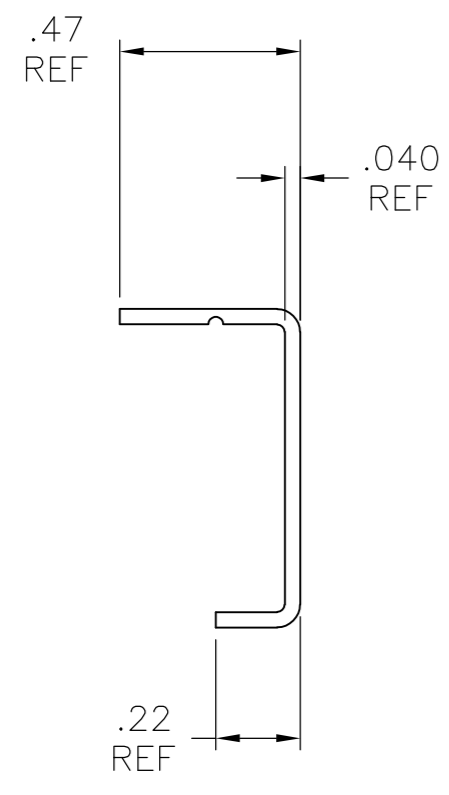
A

D

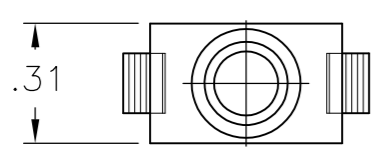
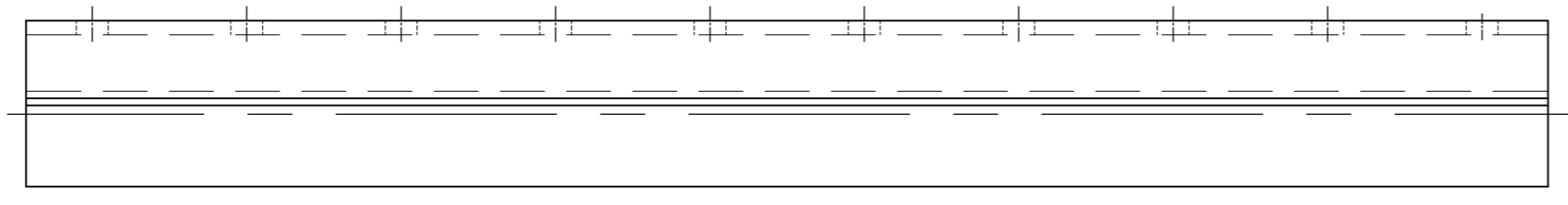
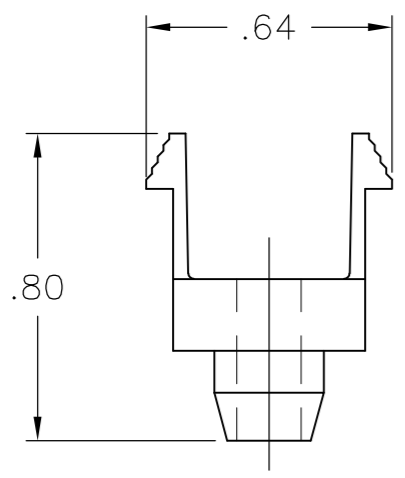
C

B

A



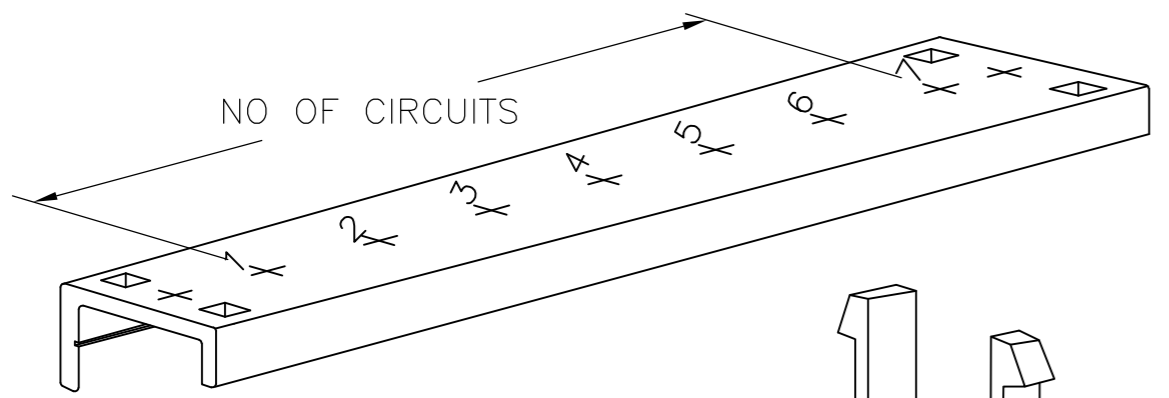
1 OBSOLETE



SAFETY COVER
QTY 1

COVER RETAINER
QTY 2

1	1986778-2	11.625	31	29	6C1N29	2-1776437-9
1	1986778-2	11.25	30	28	6C1N28	2-1776437-8
1	1986778-2	10.875	29	27	6C1N27	2-1776437-7
1	1986778-2	10.5	28	26	6C1N26	2-1776437-6
1	1986778-2	10.125	27	25	6C1N25	2-1776437-5
1	1986778-2	9.375	25	23	6C1N23	2-1776437-3
1	1986778-2	9	24	22	6C1N22	2-1776437-2
1	1986778-2	8.625	23	21	6C1N21	2-1776437-1
1	1986778-2	8.25	22	20	6C1N20	2-1776437-0
1	1986778-2	7.875	21	19	6C1N19	1-1776437-9
1	1986778-2	7.125	19	17	6C1N17	1-1776437-7
1	1986778-2	6	16	14	6C1N14	1-1776437-4
1	1986778-2	5.625	15	13	6C1N13	1-1776437-3
1	1986778-2	4.875	13	11	6C1N11	1-1776437-1
	1986778-2	4.125	11	9	6C1F09	7-1437418-1
	1986778-2	9.75	26	24	6C1N24	2-1437418-7
	1986778-2	7.5	20	18	6C1N18	2-1437418-6
	1986778-2	6.75	18	16	6C1N16	2-1437418-5
	1986778-2	6.575	17	15	6C1N15	2-1437418-4
	1986778-2	4.125	11	9	6C1N09	2-1437418-1
	1986778-2	3.75	10	8	6C1N08	2-1437418-0
	1986778-2	3	8	6	6C1N06	1-1437418-8
	1986778-2	2.25	6	4	6C1N04	1-1437418-6
	1986778-2	1.875	5	3	6C1N03	1-1437418-5
	1986778-2	10.5	28	26	6C1F26	1-1437418-3
1	1986778-2	2.625	7	5	6C1F05	1-1437418-9
	COVER RETAINER QTY=2	DIM L ± 0.040	TOTAL NUMBER OF HOLES	TOTAL NUMBER OF CIRCUITS	CATALOG NUMBER	PART NUMBER



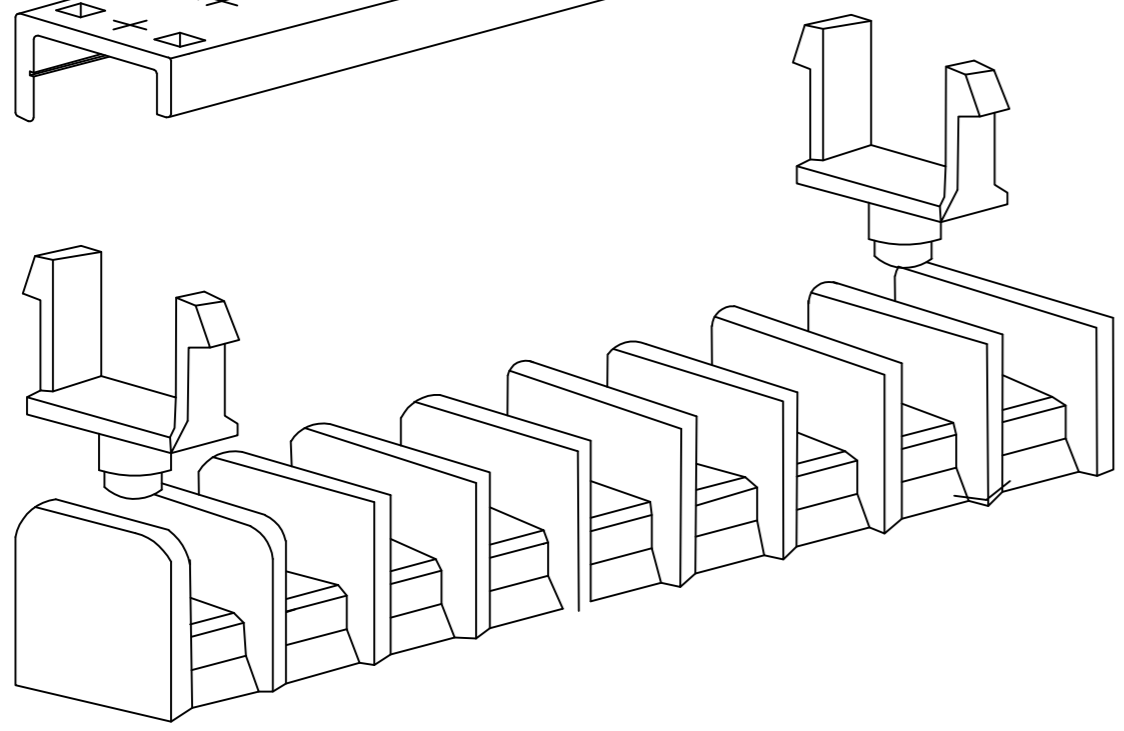
6
6=.375 C/L SPACING

C
COVER MATERIAL YELLOW PVC

1
CLOSED BACK

*
N=NO MARKING
F=FORWARD SEQUENCE

*
NUMBER OF CIRCUITS



THIS DRAWING IS A CONTROLLED DOCUMENT.

DWN 9/29/06
S SCHLEGEL
CHK 9/29/06
S YODER
APVD 9/29/06
S YODER
PRODUCT SPEC

DIMENSIONS: INCHES

TOLERANCES UNLESS OTHERWISE SPECIFIED:
 0 PLC ± -
 1 PLC ± -
 2 PLC ± .01
 3 PLC ± .005
 4 PLC ± -
 ANGLES ± 1°

MATERIAL FINISH

WEIGHT -

CUSTOMER DRAWING

TE Connectivity

6C1F03=SSB 3/8 SAFE CVR 3CKT

SIZE A2 CAGE CODE 00779 DRAWING NO 1437418-7 RESTRICTED TO -

SCALE 2:1 SHEET 1 of 1 REV B

X-ON Electronics

Largest Supplier of Electrical and Electronic Components

Click to view similar products for [Terminal Block Tools & Accessories](#) category:

Click to view products by [TE Connectivity](#) manufacturer:

Other Similar products are found below :

[1029563](#) [00171430102](#) [00171420102](#) [014415](#) [CSTSPC1-2](#) [9-1437653-4](#) [928358-1](#) [HCL10-6](#) [1437403-6](#) [1437403-9](#) [1437403-8](#) [147832-1](#)
[EC0037-000](#) [MT2/H--](#) [MT2/H-32](#) [MT6/H-N](#) [MT6/V-GRND](#) [MT8/H-101-110](#) [BB2-09BF](#) [EP2.5/4UN/BG](#) [1707755](#) [1735590](#) [1755480](#)
[1760336](#) [1789281](#) [1840227](#) [1840230](#) [2-1437402-1](#) [2-1437644-9](#) [JB2-09/J](#) [2202307](#) [2204082](#) [2302463](#) [2305949](#) [2310581](#) [8TK2-24](#)
[91.201.1](#) [L2U2](#) [2778.0](#) [2901107](#) [2901123](#) [2901699](#) [2MP/J](#) [2MV-06](#) [1705126](#) [F03-25](#) [1810532](#) [1933011](#) [AMMC-6](#) [2200092](#)