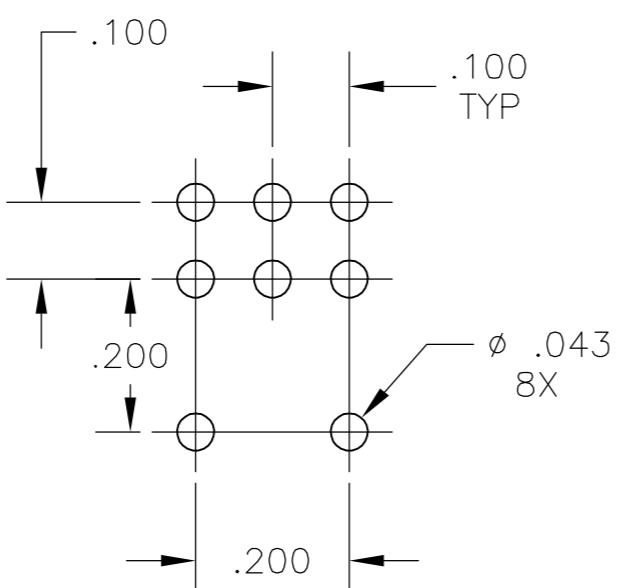
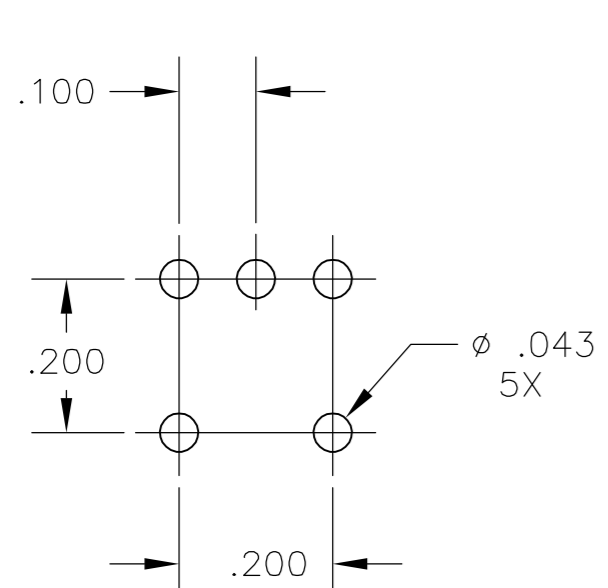
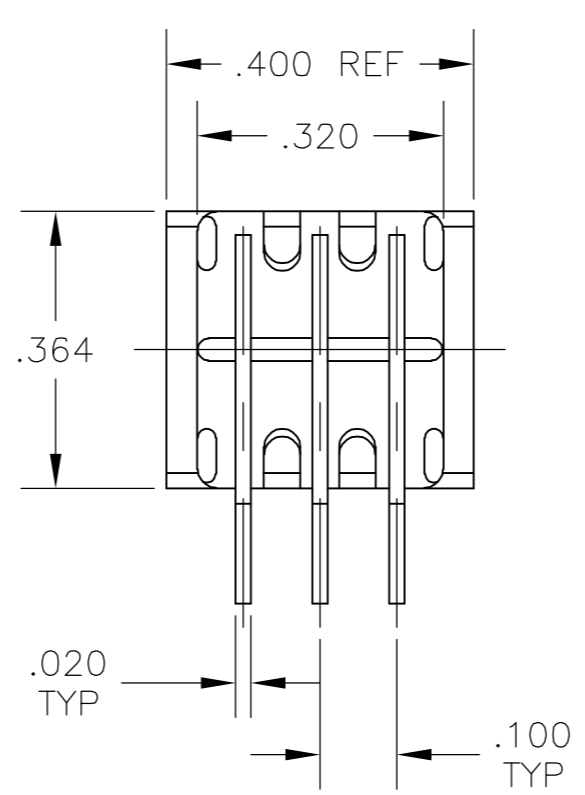
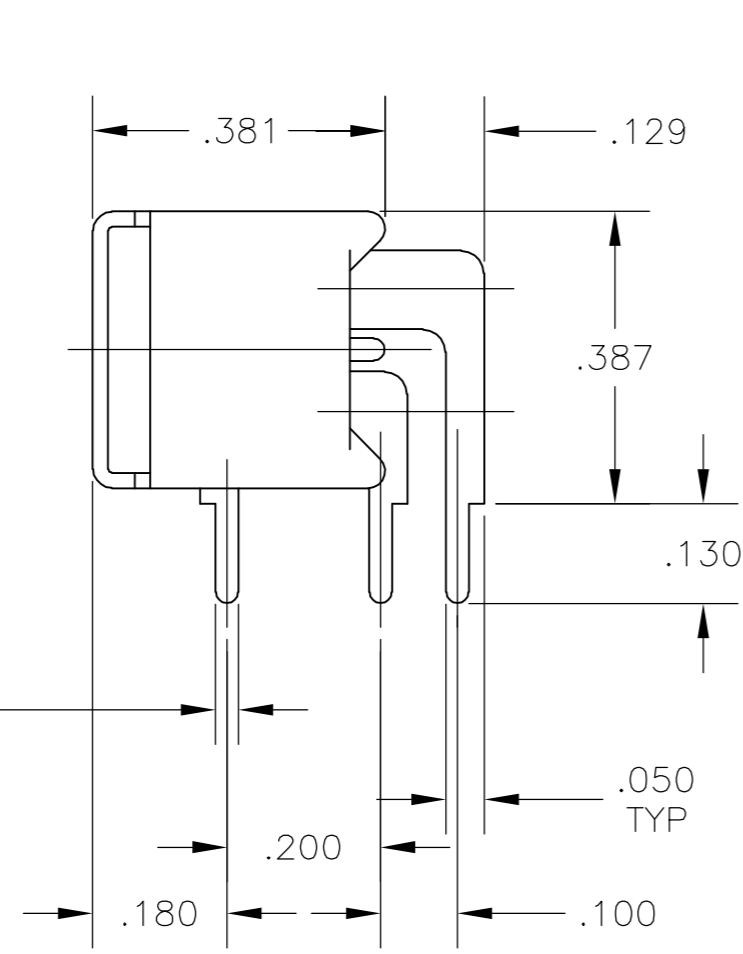
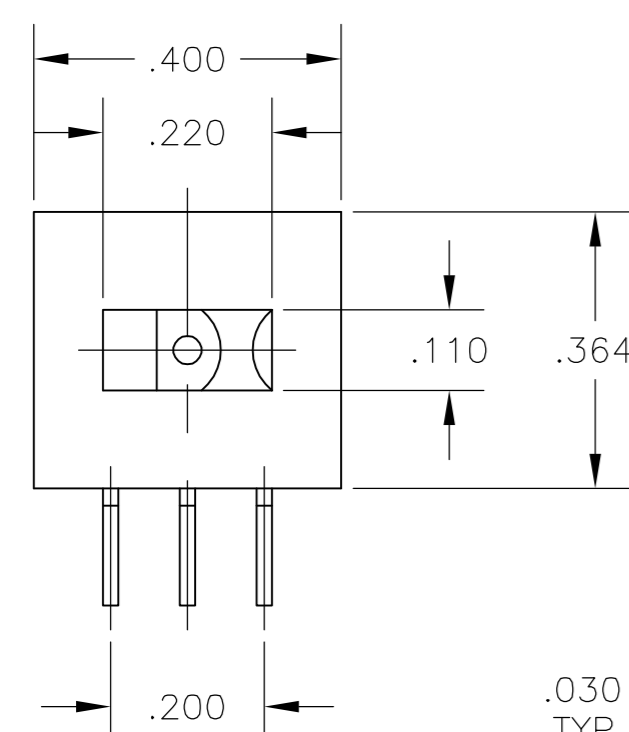
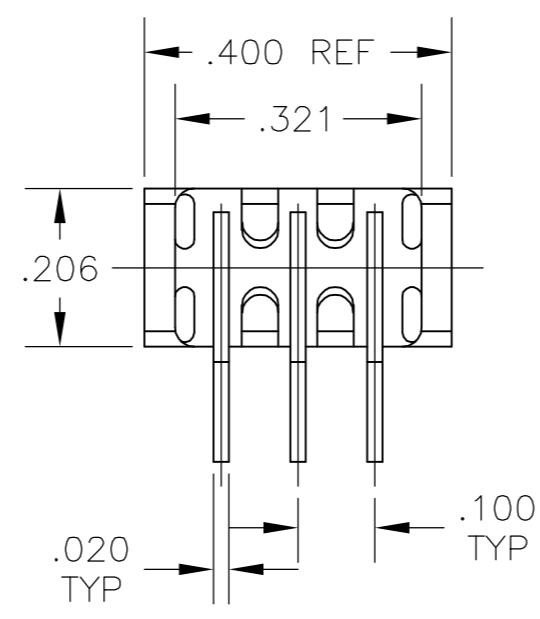
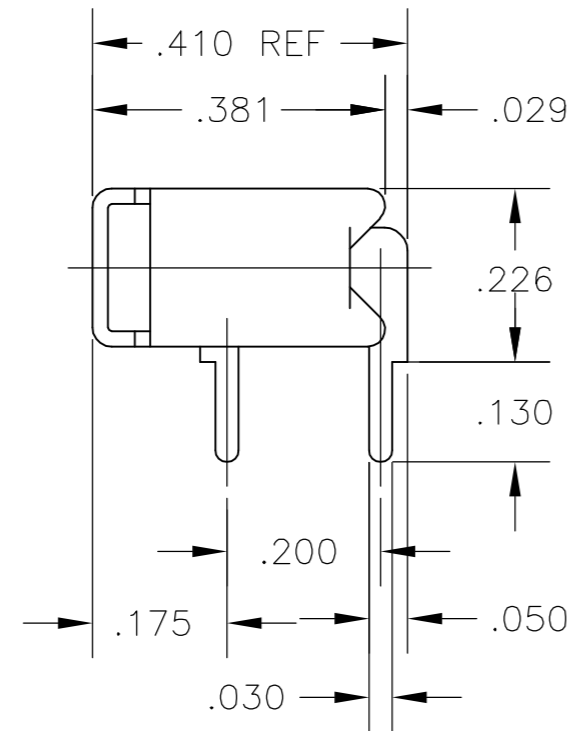
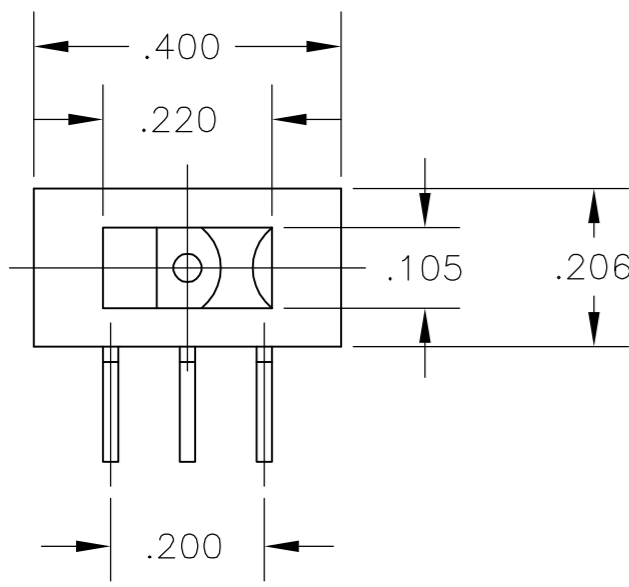


THIS DRAWING IS UNPUBLISHED. RELEASED FOR PUBLICATION  
 © COPYRIGHT BY TYCO ELECTRONICS CORPORATION. ALL RIGHTS RESERVED.

LOC		DIST		REVISIONS			
AD	00	P	LTR	DESCRIPTION	DATE	DWN	APVD
		C		E0G3C-0588-03	14MAR07	BSV	MS



PC CUTOUT FOR SP

PC CUTOUT FOR DP

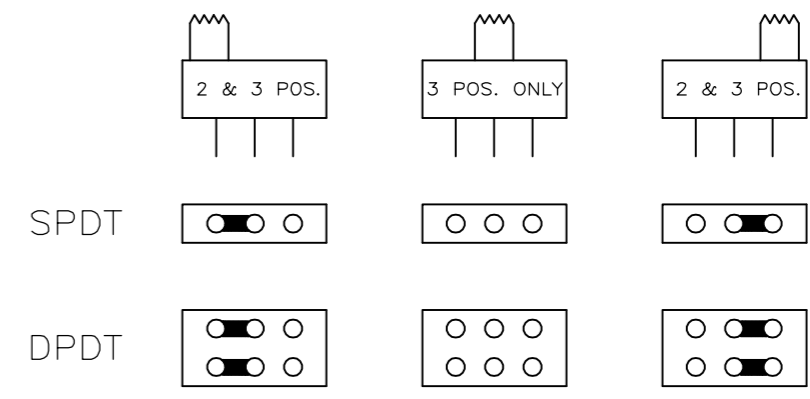
**SPECIFICATIONS:**

**MATERIALS:**  
 CASE: HIGH TEMPERATURE POLYESTER.  
 ACTUATOR: POLYESTER.  
 MOVABLE CONTACT: GOLD OVER NICKEL OVER COPPER ALLOY.  
 STATIONARY CONTACT: GOLD OVER NICKEL OVER COPPER ALLOY.  
 TERMINALS: GOLD OVER NICKEL OVER COPPER ALLOY  
 FRAME: BRIGHT TIN PLATE OVER C.R.S.

**ELECTRICAL:**  
 CONTACT RATING: 0.4 VA MAX. @20 VDC OR PEAK AC.  
 CONTACT RESISTANCE: 40 MILLIOHMS MAX.  
 INSULATION RESISTANCE: 1000 MEGOHMS MIN. @ 500V DC  
 DIELECTRIC STRENGTH: 1000 VOLTS RMS @ SEA LEVEL.  
 LIFE EXPECTANCY: 60,000 - 80,000 CYCLES

**ENVIRONMENTAL:**  
 OPERATING TEMPERATURE: -4°F TO +176°F (-20°C TO +80°C)  
 STORAGE TEMPERATURE: -4°F TO +176°F (-20°C TO +80°C)

SOLDERABILITY PER EIA 364-52 CLASS 2 CATEGORY 1



TYCO PT. NO.	MODEL NO.	TYPE	ACTION
1437579-9	TSS11DG-1-RA	SPDT	ON-NONE-ON
1-1437579-3	TSS11EG-1-RA	SPDT	ON-OFF-ON
1-1437579-8	TSS21NG-1-RA	DPDT	ON-NONE-ON
2-1437579-2	TSS21PG-1-RA	DPDT	ON-OFF-ON

THIS DRAWING IS A CONTROLLED DOCUMENT.		DWN B. BUCKHEK 29AUG1978	Tyco Electronics Corporation Harrisburg, Pa 17105-3608	
DIMENSIONS: INCHES		CHK 30AUG1978	NAME	
TOLERANCES UNLESS OTHERWISE SPECIFIED:		APVD	PRODUCT SPEC	
0 PLC ± -		APVD	APPLICATION SPEC	
1 PLC ± -		WEIGHT	SIZE CAGE CODE DRAWING NO RESTRICTED TO	
2 PLC ± -		SCALE	A2 00779 C=1437579-9	
3 PLC ± .010		CUSTOMER DRAWING	SCALE 4:1 SHEET 1 OF 1 REV C	
4 PLC ± -				
ANGLES ± 1				
FINISH				
MATERIAL SEE SPECIFICATIONS				

1437579-9

## X-ON Electronics

Largest Supplier of Electrical and Electronic Components

*Click to view similar products for [Slide Switches](#) category:*

*Click to view products by [TE Connectivity](#) manufacturer:*

Other Similar products are found below :

[6-1437581-1](#) [M43R](#) [MHSS1104A](#) [MMD](#) [GH36W010001](#) [GH49S010001](#) [1437576-8](#) [EPS1PC1](#) [1825074-1](#) [1825160-3](#) [1825167-2](#)  
[25139NLDB](#) [25449NAH](#) [L101011ML04B](#) [SLB1240R45](#) [SLSA12004](#) [1825078-1](#) [1825080-4](#) [1825081-1](#) [1825269-1](#) [1825270-2](#)  
[STS141RA04](#) [T2215BEN506](#) [GF-124-0204](#) [GH46P000001](#) [GH46W000001](#) [GH49P010001](#) [25339NA](#) [25436NLDH](#) [CST91246FK](#)  
[TG36P000000](#) [TG36P000050](#) [47227LFE](#) [49331L](#) [MHSS1105A](#) [50208L](#) [L202091MS02Q](#) [4-1437581-7](#) [X2225CR-437W](#) [48BFSP3M2QT](#)  
[49329L](#) [1101M1S3ZB8E2](#) [1-1437581-1](#) [EG1218REDACTUATOR](#) [TG39W000000](#) [1825075-1](#) [TG36WS80065](#) [T105S1CWZBE](#)  
[SLB1280R5](#) [25136NLDB](#)