

THIS DRAWING IS UNPUBLISHED. RELEASED FOR PUBLICATION

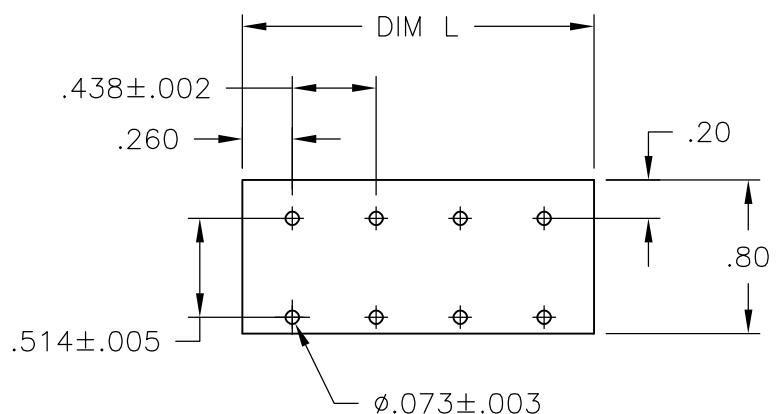
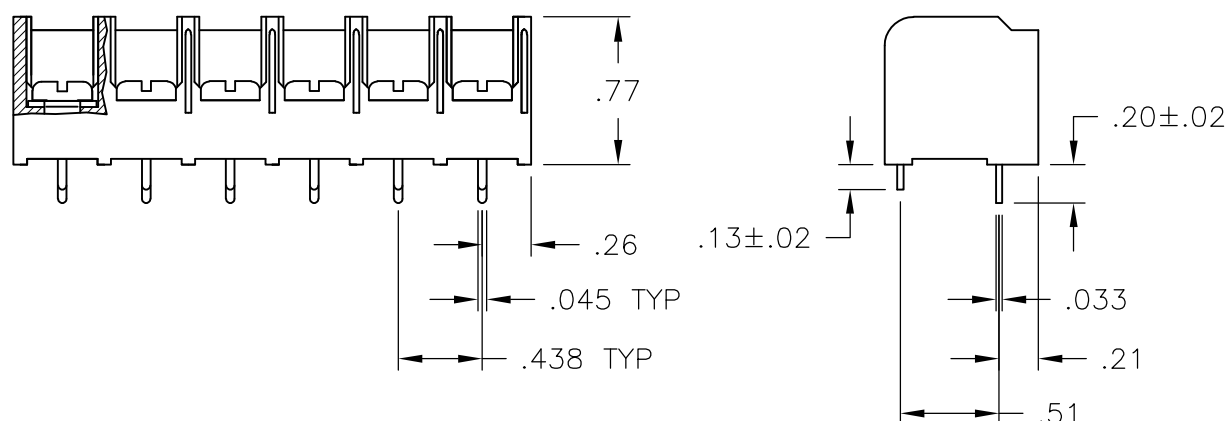
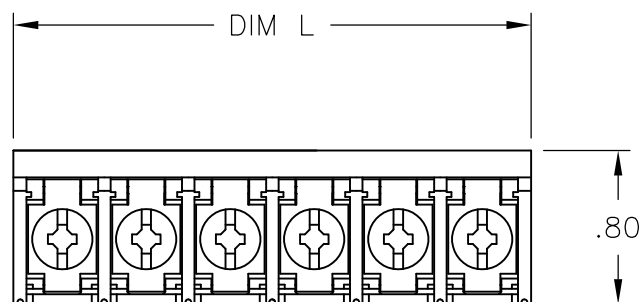
© COPYRIGHT BY TYCO ELECTRONICS CORPORATION. ALL RIGHTS RESERVED.

LOC FT	DIST 0	REVISIONS			
P	LTR	DESCRIPTION	DATE	DWN	APVD
	D	REVISED PER ECO-10-004812	04MAY10	HMR	CR

MATERIALS:
 HOUSING: THERMOPLASTIC, UL94V-0, BLACK.
 TERMINAL: BRIGHT TIN OVER COPPER ALLOY.
 SCREWS: 8-32, ZINC PLATED STEEL.

ELECTRICAL:
 CURRENT RATING: 30A
 VOLTAGE RATING: 600V
 WIRE RANGE: 10-18 AWG (UL)
 10-22 AWG (CSA)

MECHANICAL:
 RECOMMENDED TORQUE: 20 IN-LB.
 OPERATING TEMP.: -40°C TO +120°C MAX.



RECOMMENDED PCB LAYOUT

8.823	20	8DBL-20-007	2-1546847-0
8.385	19	8DBL-19-007	1-1546847-9
7.948	18	8DBL-18-007	1-1546847-8
7.510	17	8DBL-17-007	1-1546847-7
7.073	16	8DBL-16-007	1-1546847-6
6.635	15	8DBL-15-007	1-1546847-5
6.198	14	8DBL-14-007	1-1546847-4
5.760	13	8DBL-13-007	1-1546847-3
5.323	12	8DBL-12-007	1-1546847-2
4.885	11	8DBL-11-007	1-1546847-1
4.448	10	8DBL-10-007	1-1546847-0
4.010	9	8DBL-09-007	1546847-9
3.573	8	8DBL-08-007	1546847-8
3.135	7	8DBL-07-007	1546847-7
2.698	6	8DBL-06-007	1-1437657-8
2.260	5	8DBL-05-007	796709-1
1.823	4	8DBL-04-007	1-1437657-4
1.385	3	8DBL-03-007	1546847-3
.948	2	8DBL-02-007	1437657-9
DIM L	NO OF POS	CATALOG NUMBER	TE NUMBER

THIS DRAWING IS A CONTROLLED DOCUMENT.		DWN S SCHLEGEL 10/25/06	Tyco Electronics Corporation Harrisburg, PA 17105-3608	
DIMENSIONS: INCHES		CHK S YODER 10/25/06	NAME	
TOLERANCES UNLESS OTHERWISE SPECIFIED:		APVD S YODER 10/25/06	8DBL-XX-007 ASSEMBLY	
0 PLC ± -		PRODUCT SPEC	SIZE	
1 PLC ± -		APPLICATION SPEC	CAGE CODE	DRAWING NO
2 PLC ± .01		—	—	RESTRICTED TO
3 PLC ± .005		—	A3 00779 C-1-1437657-4	
4 PLC ± -		—	SCALE 1:1 SHEET 1 OF 1 REV D	
ANGLES ± 1°		WEIGHT	—	
MATERIAL		CUSTOMER DRAWING		
FINISH		—		

X-ON Electronics

Largest Supplier of Electrical and Electronic Components

Click to view similar products for [Barrier Terminal Blocks](#) category:

Click to view products by [TE Connectivity](#) manufacturer:

Other Similar products are found below :

[6C1N03](#) [6PCR-02-008](#) [6PCR-05-008](#) [6PCR-08-008](#) [6PCR-21-006](#) [6PCV-06-008](#) [6PCV-10-009](#) [6PCV-15-008](#) [6STR-06-006](#) [6STR-08-006](#)
[6STR-12-008](#) [6STR-14-008](#) [6STR-16-008](#) [6STR-17-008](#) [6STR-21-008](#) [6STR-25-008](#) [6STR-27-008](#) [6STV-03-006](#) [6STV-03-008](#) [6STV-04-006](#) [6STV-10-006](#) [6WWR-03](#) [6WWV-12-008](#) [6WWV-16-008](#) [7-1546701-0](#) [72212603](#) [72503-C](#) [72504-C-50](#) [73203](#) [76007](#) [7604-501LF](#)
[77010-50](#) [796985-3](#) [796988-4](#) [7C1N08](#) [8-1437402-5](#) [8-1437402-7](#) [8-1546158-0](#) [870505](#) [870903](#) [8PCR-06-006](#) [8PCV-02-008](#) [8PCV-05-008](#)
[8PCV-09-006](#) [8PCV-15-006](#) [8PCV-17-006](#) [8QCR-03-008](#) [8STV-04-006](#) [9-1437402-3](#) [A103104](#)