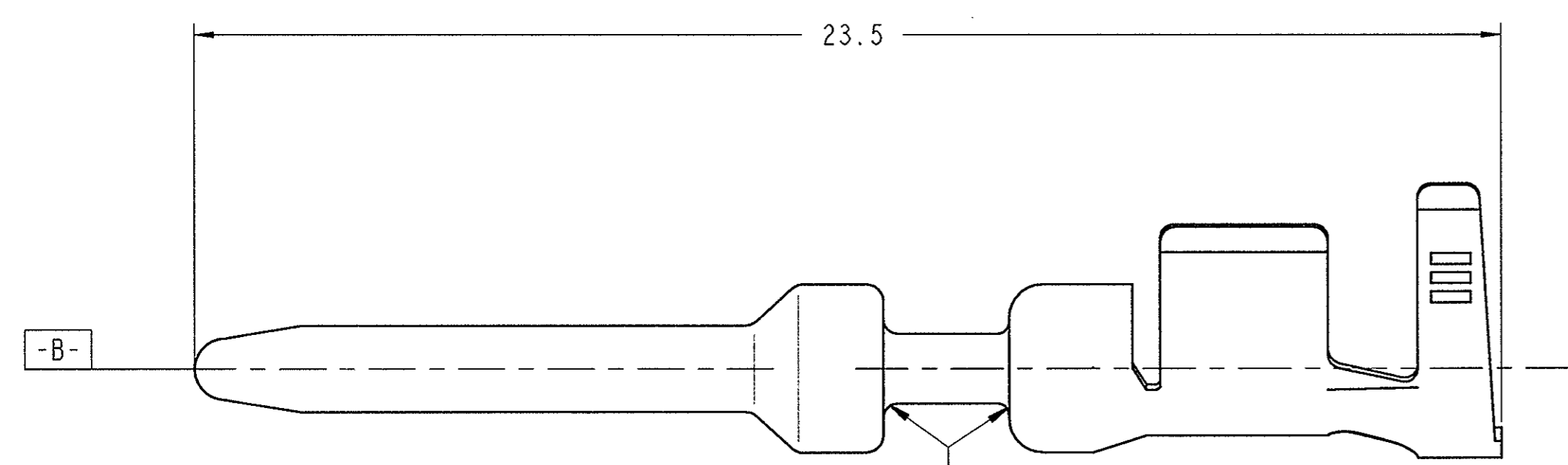


LOC	DIST	REVISIONS			
P	LYR	DESCRIPTION	DATE	DWN	APVD
A		EG00-2904-01	04OCT2001	SS	JE
A1		EG00-3314-01	08NOV2001	CLD	JE
A2		REVISED FOR ECR-06-018431	28SEPT2006	M. P.	R. M.



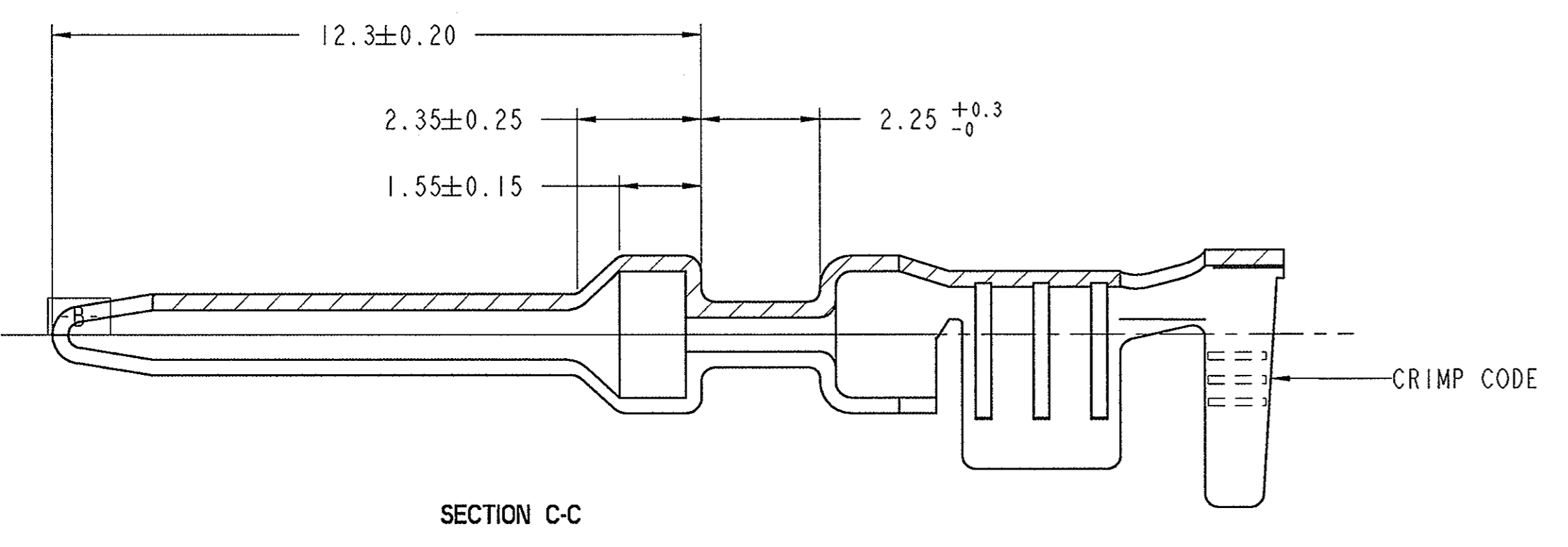
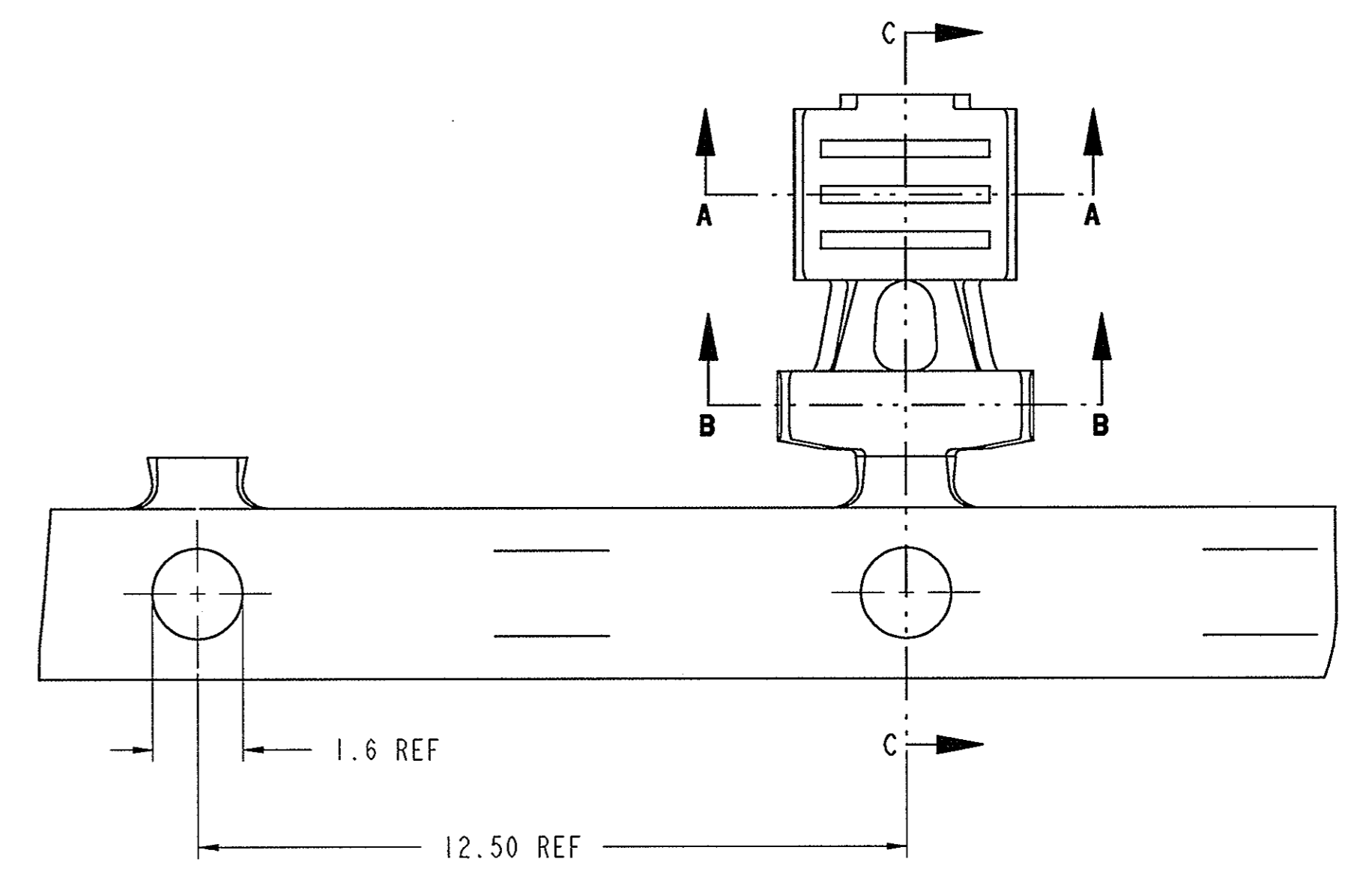
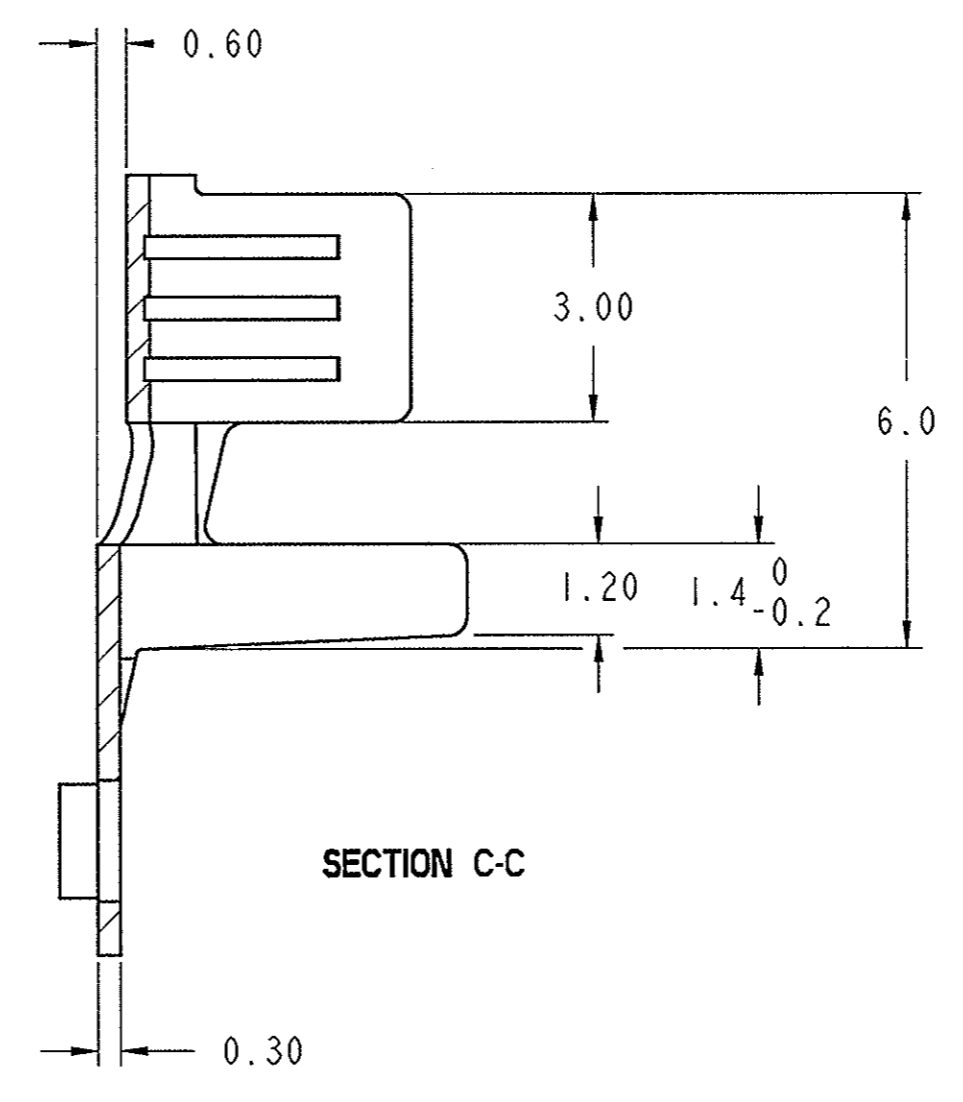
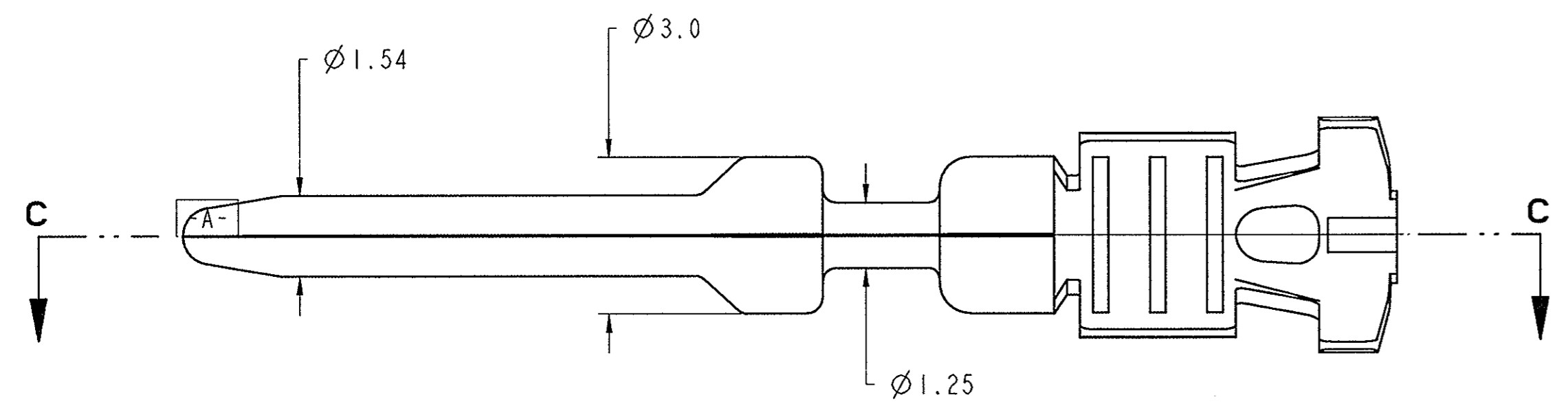
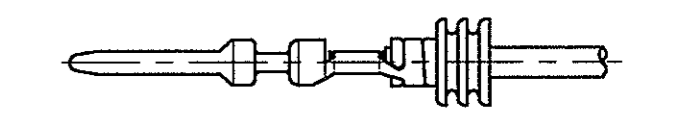
NECK DOWN AREA OF TERMINAL MUST NOT BREAK-OFF OR FRACTURE WHEN FRONT OF TERMINAL IS BENT IN ANY DIRECTION TO AN ANGLE OF 20° MIN. OFF THE CENTERLINE OF TERMINAL.

CRIMP TYPE	CRIMP AREA DIMENSION						CRIMP CODE
	Bc	Dc	Hc	Bi	Di	Hi	
c	3.70 ±0.15	1.80 REF	3.90 ±0.15	4.70 ±0.15	2.60 REF	4.90 ±0.15	
b	2.60 ±0.15	1.20 REF	2.90 ±0.15	3.60 ±0.15	2.00 REF	4.00 ±0.15	
d	2.00 ±0.15	0.80 REF	2.20 ±0.15	2.80 ±0.15	1.60 REF	3.00 ±0.15	

FULL SIZE VIEWS
SCALE 1.000



FULL ASSY VIEW
WATERPROOF
SCALE 2.000



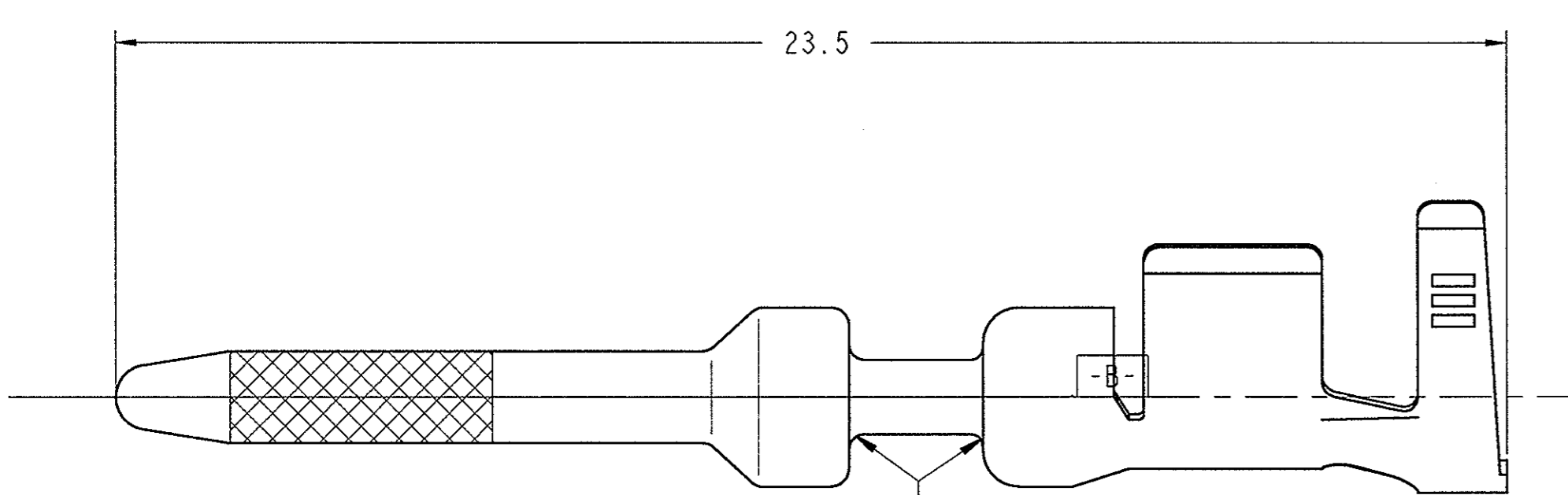
- 1 SUPERSEDES 2-1437709-2
- 2 SUPERSEDES 2-1437709-3
- 3 SUPERSEDES 2-1437709-4

PART AS SUPPLIED							COMPONENTS		MATERIALS	COMPONENTS SUPPLIED APART		TO FIT IN CAVITY	
P/N	DESCRIPTION	WATERPROOF	WIRE CROSS SEC. AREA	CRIMP CODE	CRIMP SPEC.	WEIGHT	TERMINAL	WIRE SEAL	TERMINAL	WIRE SEAL	TYPE	DESCRIPTION	
1-1437709-1	TERMINAL MALE TIN PLT.	YES	0.22-0.35mm ²		AC/T/18/95	0.302gr.	I	SEE SHEET	DIN 17670 (CuSn6) TIN PLATED BRIGHT	1-1437713-1 (0.22-0.35) BLACK	AC/T/20/95	CAVITY TERMINAL MALE	
1-1437709-2	TERMINAL MALE TIN PLT.		0.50-1.00mm ²			0.322gr.	I			1-1437713-2 (0.50-1.00) RED			
1-1437709-3	TERMINAL MALE TIN PLT.		1.50-2.50mm ²			0.343gr.	I			1-1437713-3 (1.50) BLUE			
1-1437709-1	TERMINAL MALE TIN PLT.	NO	0.22-0.35mm ²		AC/T/18/95	0.302gr.	I	NOT USED	DIN 17670 (CuSn6) TIN PLATED BRIGHT		AC/T/20/95	CAVITY TERMINAL MALE	
1-1437709-2	TERMINAL MALE TIN PLT.		0.50-1.00mm ²			0.322gr.	I						
1-1437709-3	TERMINAL MALE TIN PLT.		1.50-2.50mm ²			0.343gr.	I						

DIMENSIONS:		TOLERANCES UNLESS OTHERWISE SPECIFIED:		DWN: S. Storch 02OCT2001		tyco Electronics AMP GmbH	
mm		0 PLC ±0.3		CHK: J. Evans 08NOV2001		D - 64625 Bensheim	
APVD: J. Evans 08NOV2001		1 PLC ±0.1		NAME: I,6 SYSTEM		TERMINAL MALE	
MATERIAL: -		2 PLC ±0.1		PRODUCT SPEC: -		TIN PLATED	
FINISH: -		3 PLC ±0.1		APPLICATION SPEC: -		SIZE: CAGE CODE DRAWING NO. RESTRICTED TO	
-		4 PLC ±0.1		WEIGHT: -		A1 00779 C-1418070	
-		ANGLES: -		CUSTOMER DRAWING		SCALE 10:1 SHEET 1 OF 2 REV A2	

THIS DRAWING IS UNPUBLISHED. RELEASED FOR PUBLICATION 2000
 © COPYRIGHT 2000 BY TYCO ELECTRONICS CORPORATION. ALL RIGHTS RESERVED.

LOC		DIST		REVISIONS			
A	1	P	LTR	DESCRIPTION	DATE	DWN	APVD
		-	-	- SEE SHEET 1 -	-	-	-

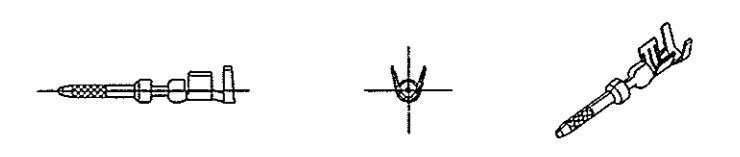


NECK DOWN AREA OF TERMINAL MUST NOT BREAK-OFF OR FRACTURE WHEN FRONT OF TERMINAL IS BENT IN ANY DIRECTION TO AN ANGLE OF 20° MIN. OFF THE CENTERLINE OF TERMINAL.

CRIMP TYPE	CRIMP AREA DIMENSION						CRIMP CODE	
	Bc	Dc	Hc	Bi	Di	Hi		
I	c	3.70 ±0.15	1.80 REF	3.90 ±0.15	4.70 ±0.15	2.60 REF	4.90 ±0.15	≡
	b	2.60 ±0.15	1.20 REF	2.90 ±0.15	3.60 ±0.15	2.00 REF	4.00 ±0.15	≡
	a	2.00 ±0.15	0.80 REF	2.20 ±0.15	2.80 ±0.15	1.60 REF	3.00 ±0.15	≡

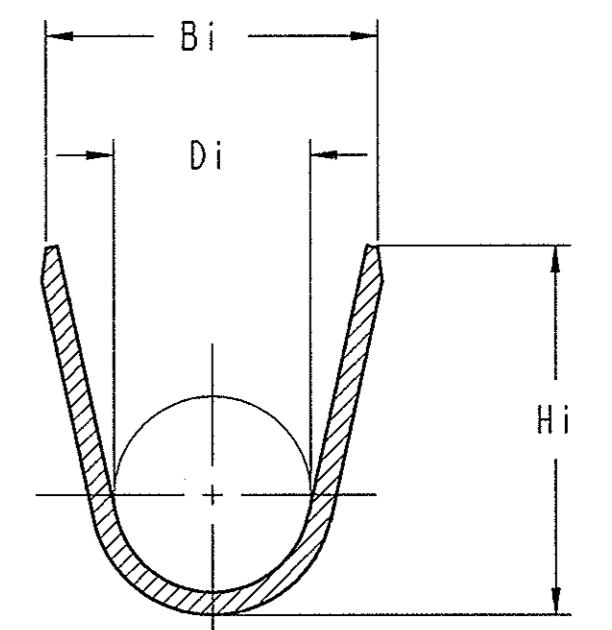
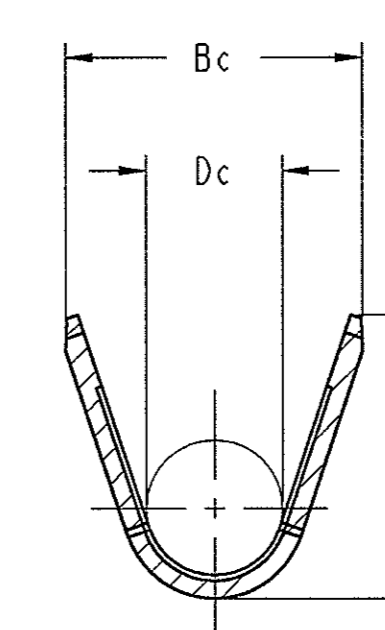
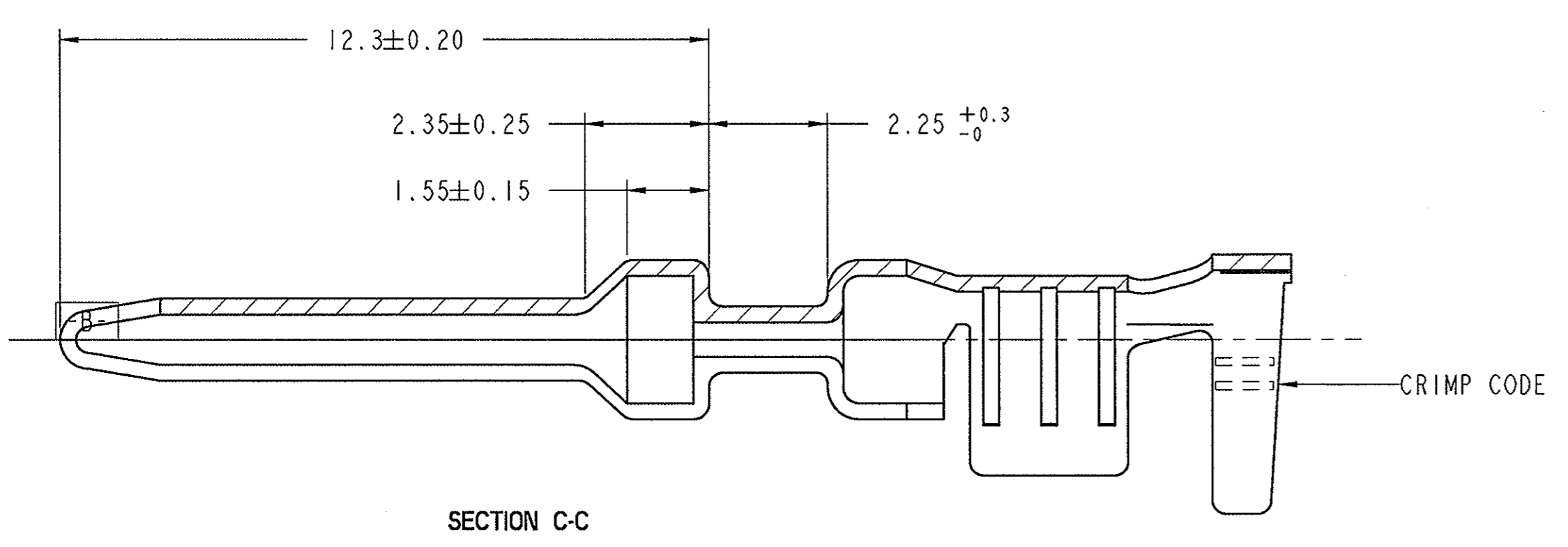
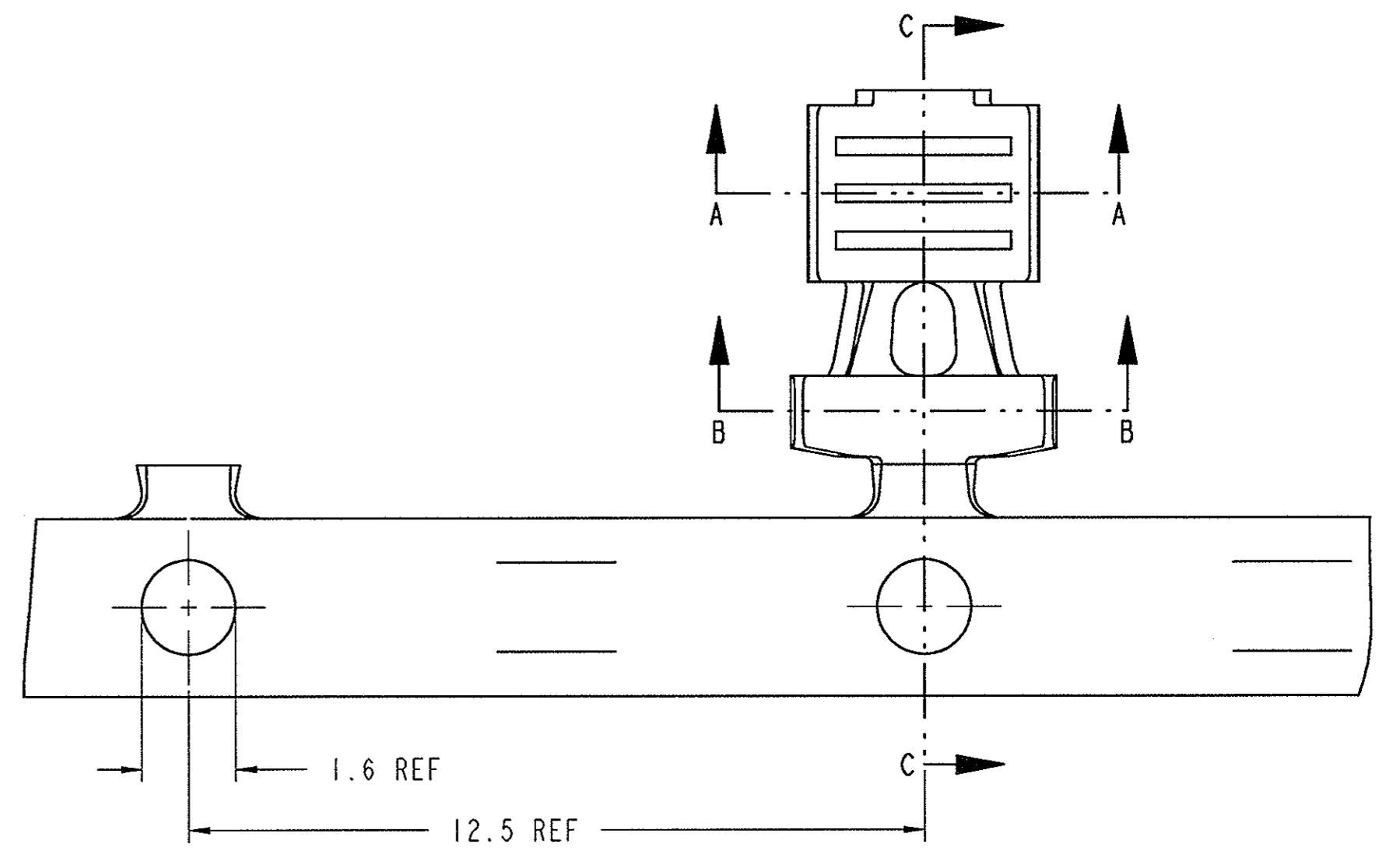
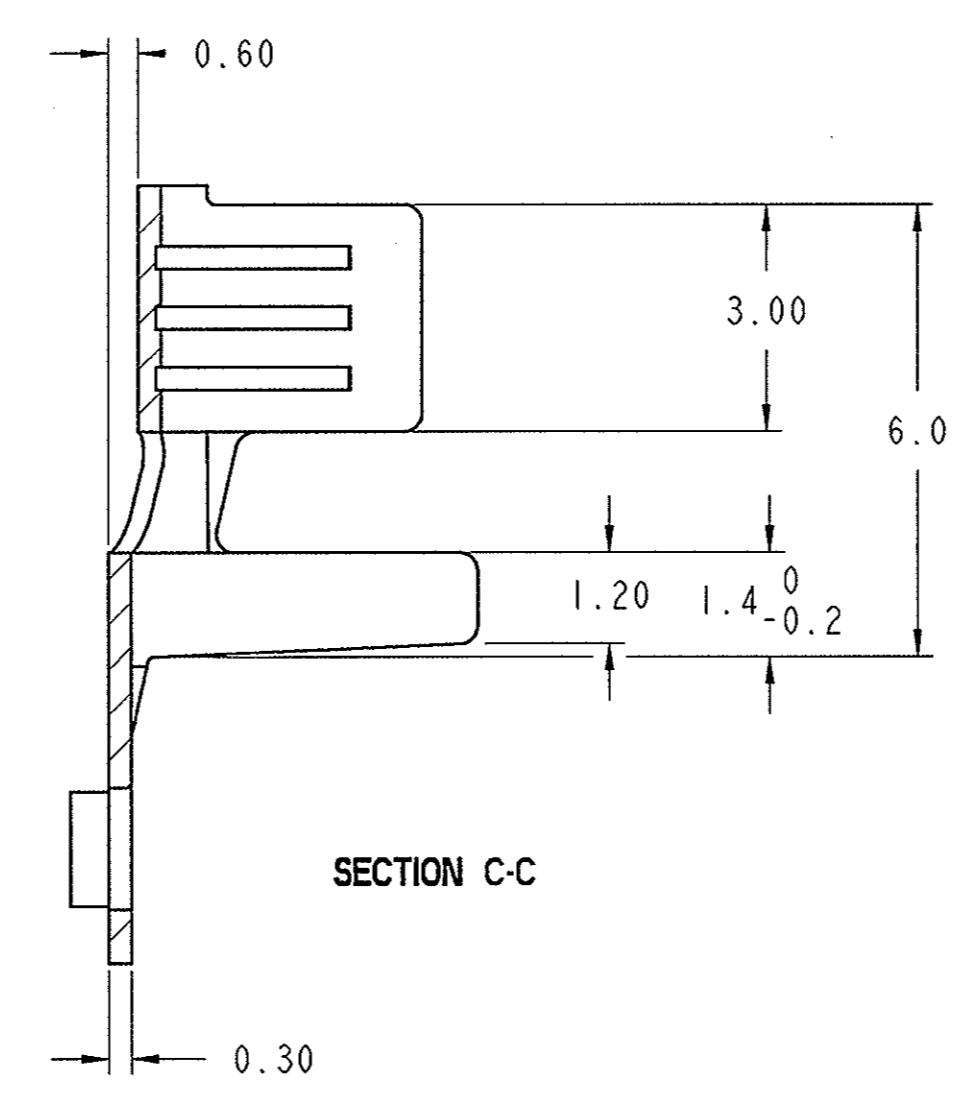
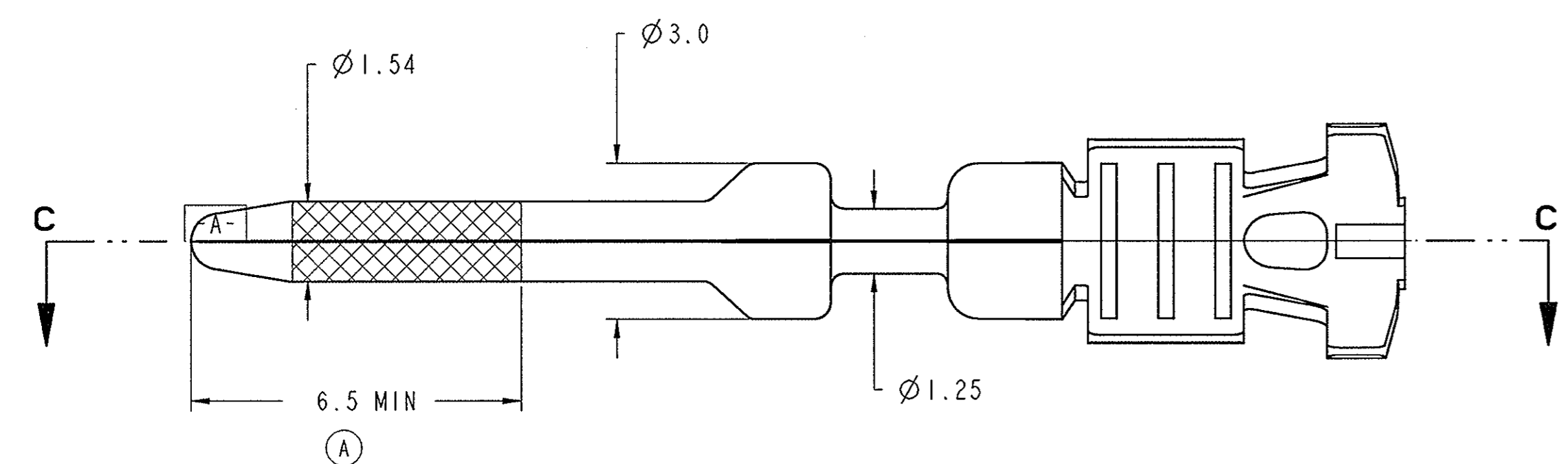
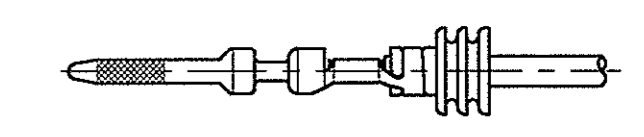
FULL SIZE VIEWS

SCALE 1.000



FULL ASSY VIEW
WATERPROOF

SCALE 2.000



⚠ SUPERSEDES I-1437709-8

PART AS SUPPLIED							COMPONENTS		MATERIALS	COMPONENTS SUPPLIED APART		TO FIT IN CAVITY	
P/N	DESCRIPTION	WATERPROOF	WIRE CROSS SEC. AREA	CRIMP CODE	CRIMP SPEC.	WEIGHT	TERMINAL	WIRE SEAL	TERMINAL	WIRE SEAL	TYPE	DESCRIPTION	
0-1437709-6	TERMINAL MALE GOLD PLT.	YES	0.22-0.35mm ²	≡	AC/T/18/95	0.302gr.	I	SEE SHEET	DIN 17670 (CuSn6) GOLD PLATED AT LOCATION	I-1437713-1 (0.22-0.35) BLACK	AC/T/20/95	CAVITY TERMINAL MALE	
0-1437709-7	TERMINAL MALE GOLD PLT.		0.50-1.00mm ²	≡			I-1437713-2 (0.50-1.00) RED						
0-1437709-6	TERMINAL MALE GOLD PLT.	NO	0.22-0.35mm ²	≡	AC/T/18/95	0.302gr.	I	NOT USED	ⓐ TIN PLATED MATTE	I-1437713-3 (1.50) BLUE			
0-1437709-7	TERMINAL MALE GOLD PLT.		0.50-1.00mm ²	≡									

DIMENSIONS: mm		TOLERANCES UNLESS OTHERWISE SPECIFIED:		DWN S.Storch 020C2001		tyco Electronics AMP GmbH	
0 PLC	±	0.3	±	CHR J.Evans 08NOV2001	tyco Electronics D - 64625 Bensheim		
1 PLC	±	0.1	±	APVD J.Evans 08NOV2001	NAME		
2 PLC	±	0.1	±	PRODUCT SPEC	I,6 SYSTEM TERMINAL MALE GOLD PLATED		
3 PLC	±	0.1	±	APPLICATION SPEC	SIZE CAGE CODE DRAWING NO		
4 PLC	±	0.1	±	WEIGHT	A1 00779 C=1418070		
ANGLES	±	1°	±	CUSTOMER DRAWING	RESTRICTED TO		
MATERIAL					SCALE 10:1 SHEET 2 OF 2 REV A2		

X-ON Electronics

Largest Supplier of Electrical and Electronic Components

Click to view similar products for [Automotive Connectors](#) category:

Click to view products by [TE Connectivity](#) manufacturer:

Other Similar products are found below :

[003-018-000](#) [60403001](#) [60993906-B](#) [M902-2131](#) [M902-2161](#) [72.330.1035.1](#) [73.353.4028.0](#) [F119300-B](#) [F166900](#) [F258300-B](#) [F358300-B](#)
[F407400](#) [F444110](#) [F487000](#) [F509500B-B](#) [827153-1](#) [8N1515-32-24P](#) [9-1326729-8](#) [925474-1](#) [928905-1](#) [964562-4](#) [968782-1](#) [GT17SA-8DS-](#)
[HU](#) [98891-1012](#) [98947-1016](#) [12004147](#) [12004475-L](#) [12010290](#) [12010309-B](#) [12015454](#) [12020219-B](#) [12020308](#) [12041318-B](#) [12052225-L](#)
[12052466](#) [12059125](#) [12064869](#) [12004327-B](#) [12010503-B](#) [12015308](#) [12015384](#) [12015909](#) [1-21030-1](#) [12041254](#) [12041318](#) [12047946-B](#)
[12047957](#) [12047957-L](#) [12059473](#) [12066261](#)