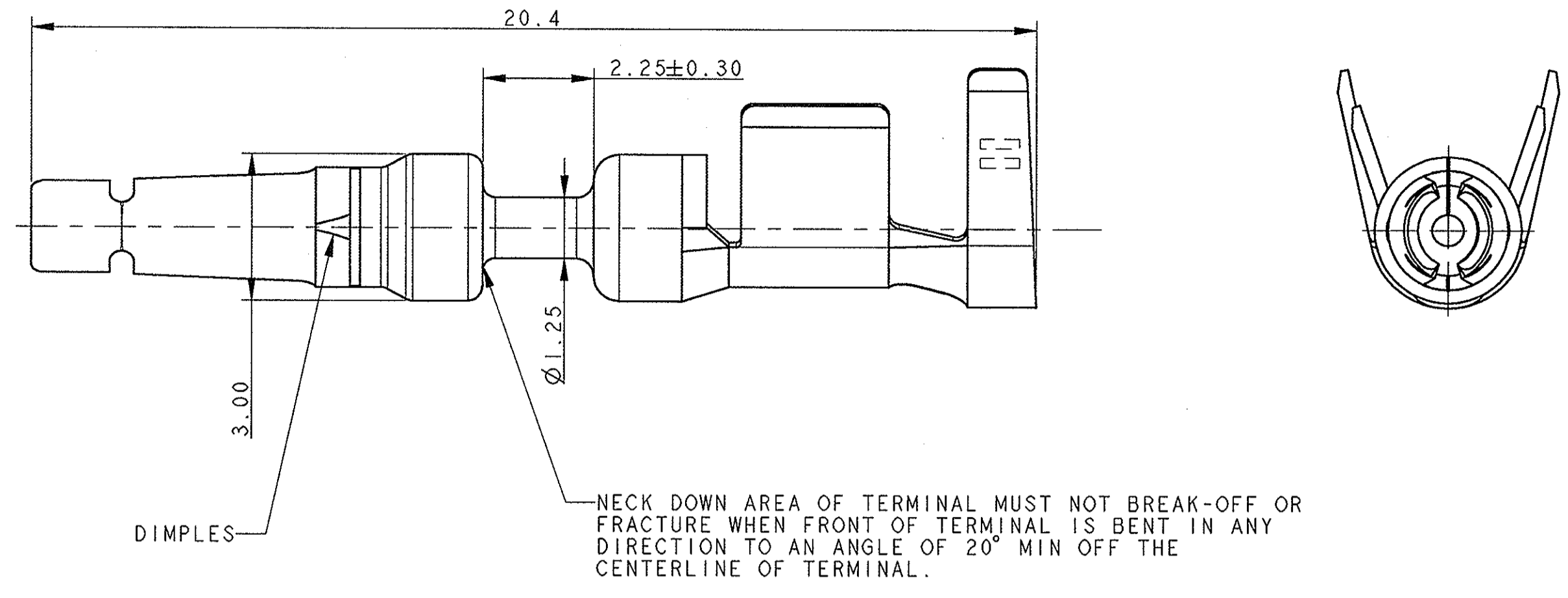


LOC	DIST	REVISIONS				
A1	-	P	LFR	DATE	DWN	APVD
		P		REVISED AND REDRAWN FOR ECR-07-014697	02JUL2007	M.P. R.M.

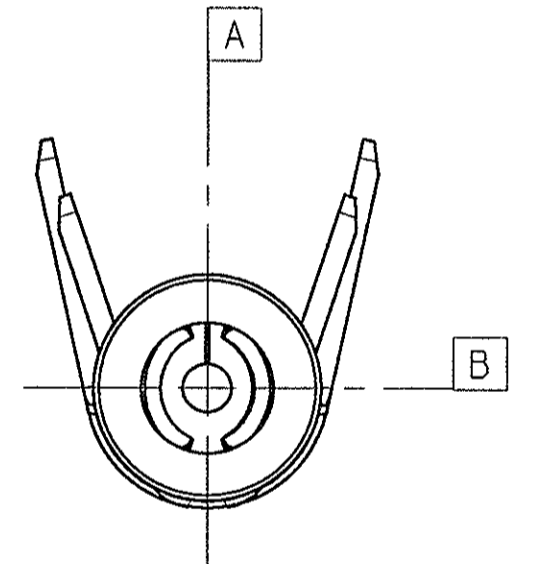
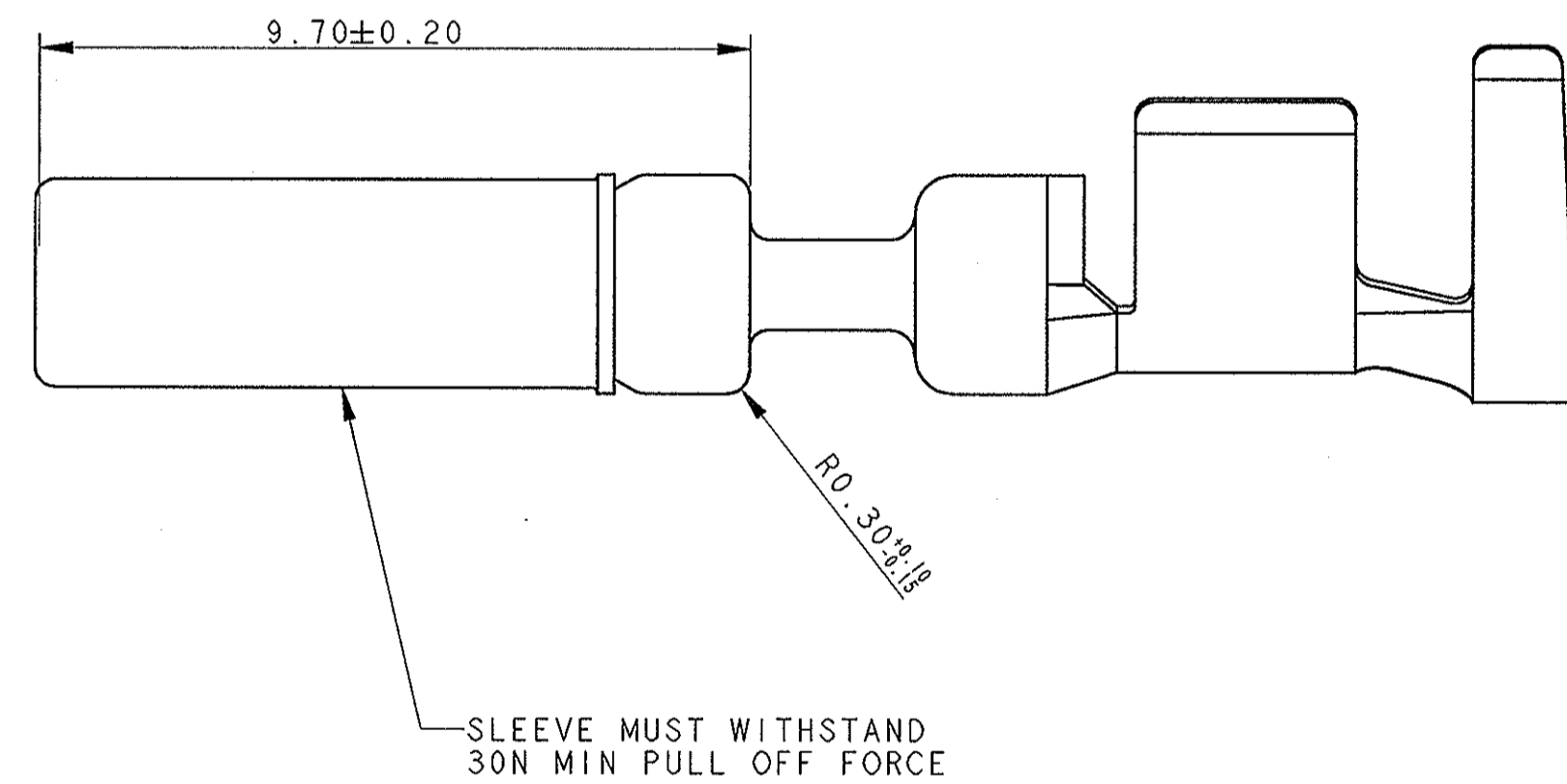
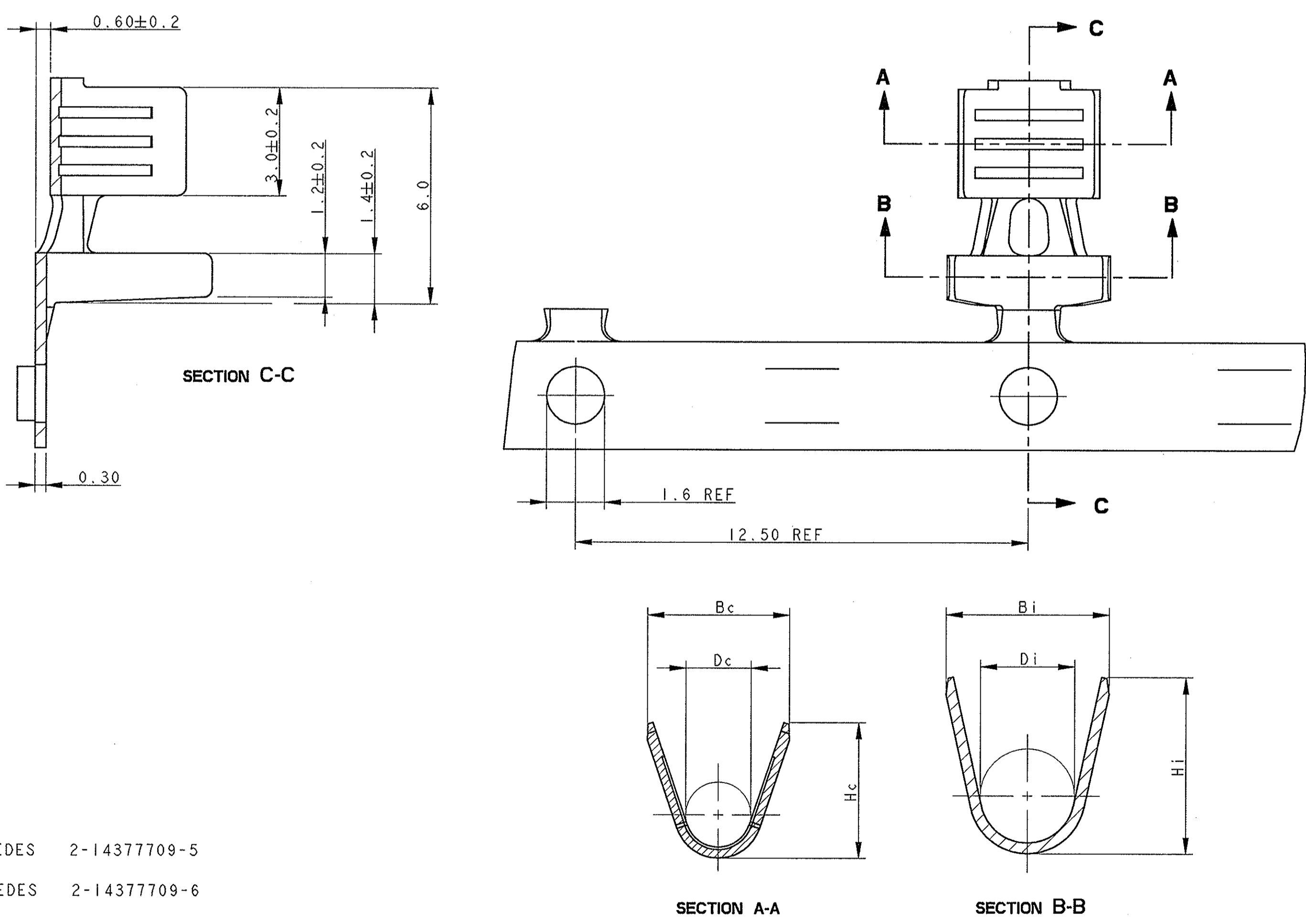
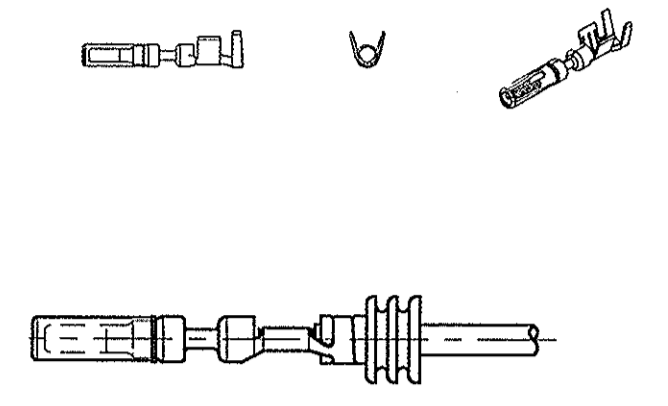


VIEW WITHOUT SLEEVE

CRIMP TYPE	B <sub>c</sub>	D <sub>c</sub>	H <sub>c</sub>	B <sub>i</sub>	D <sub>i</sub>	H <sub>i</sub>	CRIMP CODE
c	3.70 ±0.15	1.80 ±0.2	3.90 ±0.15	4.70 ±0.15	2.60 ±0.2	4.90 ±0.15	☐
b	2.60 ±0.15	1.20 ±0.2	2.90 ±0.15	3.60 ±0.15	2.00 ±0.2	4.00 ±0.15	☐
a	2.00 ±0.15	0.80 ±0.2	2.20 ±0.15	2.80 ±0.15	1.60 ±0.2	3.00 ±0.15	☐

FULL SIZE VIEWS  
SCALE 1.000

FULL ASSY VIEW  
WATERPROOF  
SCALE 2.000

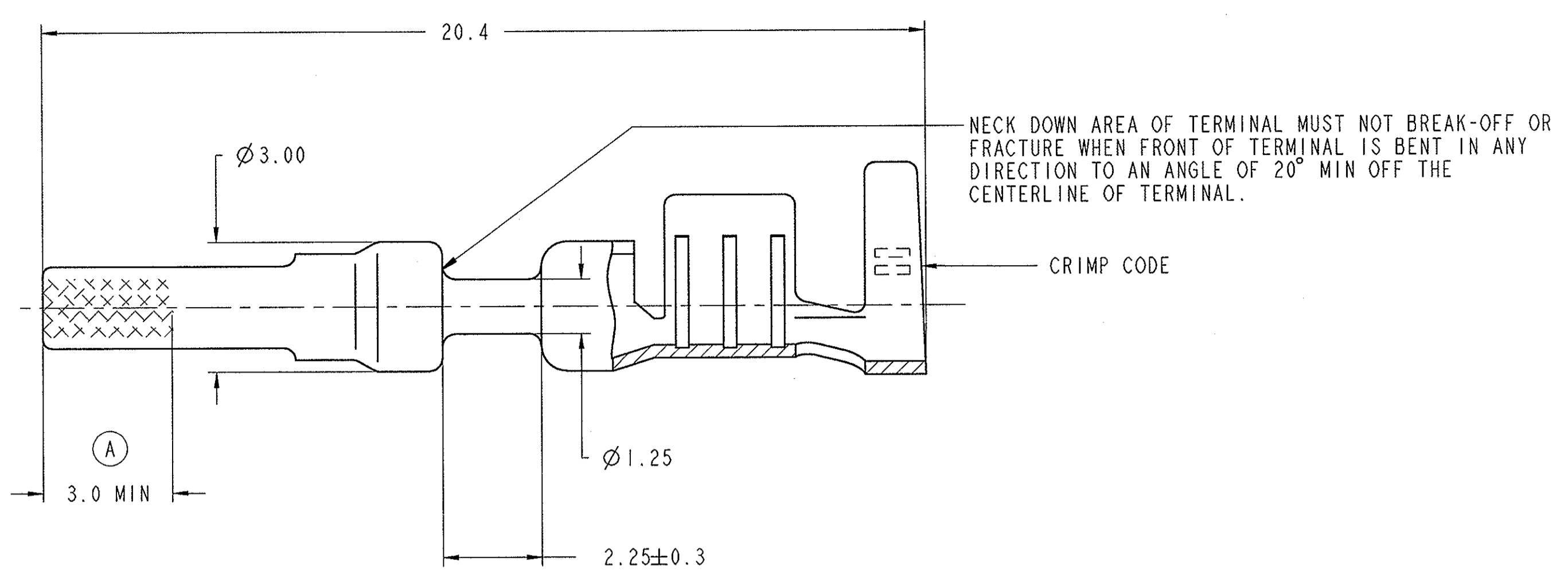


- 1 SUPERSEDES 2-1437709-5
- 2 SUPERSEDES 2-1437709-6
- 3 SUPERSEDES 2-1437709-7

PART AS SUPPLIED							COMPONENTS			MATERIALS			COMPONENTS SUPPLIED APART		TO FIT IN CAVITY	
P/N	PART REV.	DESCRIPTION	WATERPROOF	WIRE CROSS SEC. AREA	CRIMP CODE	CRIMP SPEC.	WEIGHT	TERMINAL	SLEEVE	WIRE SEAL	TERMINAL	SLEEVE	GREASE	WIRE SEAL	TYPE	DESCRIPTION
1-1437709-4		TERMINAL FEMALE TIN PLT.	YES	0.22-0.35mm <sup>2</sup>	☐		0.402gr.	I	I	SEE CHART	DIN 17670 (CuSn6) TIN PLATED BRIGHT	ALLOY 230 RICH LOW BRASS	LITHIUM SOAP ZINC OXIDE	1-1437713-1 (0.22-0.35) BLACK	AC/T/191/95	CAVITY TERMINAL FEMALE
1-1437709-5	B	TERMINAL FEMALE TIN PLT.		0.50-1.00mm <sup>2</sup>	☐		0.422gr.	I	I					1-1437713-2 (0.50-1.00) RED		
1-1437709-6		TERMINAL FEMALE TIN PLT.		1.50-2.50mm <sup>2</sup>	☐		0.443gr.	I	I					1-1437713-3 (1.50) BLUE		
1-1437709-4	B	TERMINAL FEMALE TIN PLT.	NO	0.22-0.35mm <sup>2</sup>	☐	AC/T/18/95	0.402gr.	I	I	NOT USED						
2-1437709-8	P	TERMINAL FEMALE TIN PLT.		0.50-1.00mm <sup>2</sup>	☐		0.422gr.	I	I							
1-1437709-5	B	TERMINAL FEMALE TIN PLT.		0.50-1.00mm <sup>2</sup>	☐		0.422gr.	I	I							
1-1437709-6	B	TERMINAL FEMALE TIN PLT.		1.50-2.50mm <sup>2</sup>	☐		0.443gr.	I	I							

DIMENSIONS: mm 		TOLERANCES UNLESS OTHERWISE SPECIFIED: 0 PLC ±0.3 1 PLC ±0.1 2 PLC ±0.1 3 PLC ±0.1 4 PLC ±0.1 ANGLES ±1°		DWN M. PALMA 20JUN2007 CHK R. MARTINI 20JUN2007 APVD A. GENTA 20JUN2007		tyco Electronics AMP ITALIA S.p.A. Corso F.lli Cervi, 15 Collegno (TO)	
MATERIAL: - FINISH: -		WEIGHT: - CUSTOMER DRAWING: A1100779 ©1418069		SIZE: A11 CAGE CODE: 00779 DRAWING NO: 114-20121		1,6 SYSTEM TERMINAL FEMALE TIN PLATED	
SCALE 10:1 SHEET 1 OF 2 REV P				RESTRICTED TO			

LOC	DIST	REVISIONS			
P	LTR	DESCRIPTION	DATE	DRN	APVD
A	-	- SEE SHEET 1 -	-	-	-

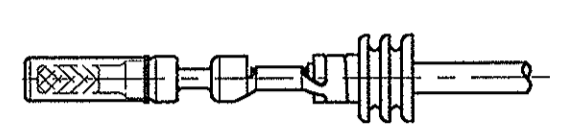


CRIMP TYPE	CRIMP AREA DIMENSION						CRIMP CODE
	Bc	Dc	Hc	Bi	Di	Hi	
c	3.70 ±0.15	1.80 ±0.2	3.90 ±0.15	4.70 ±0.15	2.60 ±0.2	4.90 ±0.15	≡≡≡
b	2.60 ±0.15	1.20 ±0.2	2.90 ±0.15	3.60 ±0.15	2.00 ±0.2	4.00 ±0.15	≡≡
a	2.00 ±0.15	0.80 ±0.2	2.20 ±0.15	2.80 ±0.15	1.60 ±0.2	3.00 ±0.15	≡

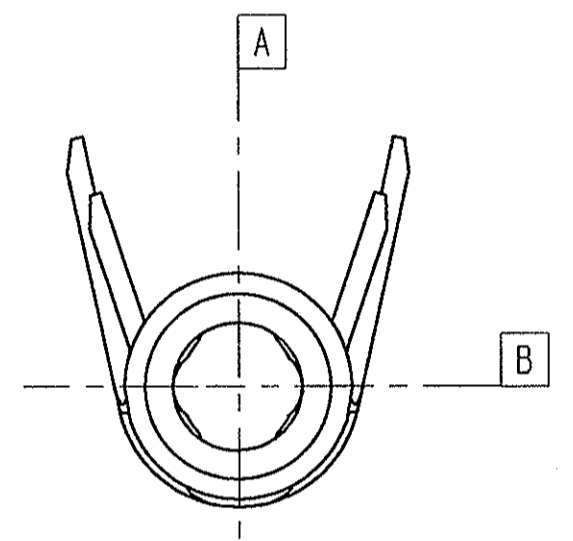
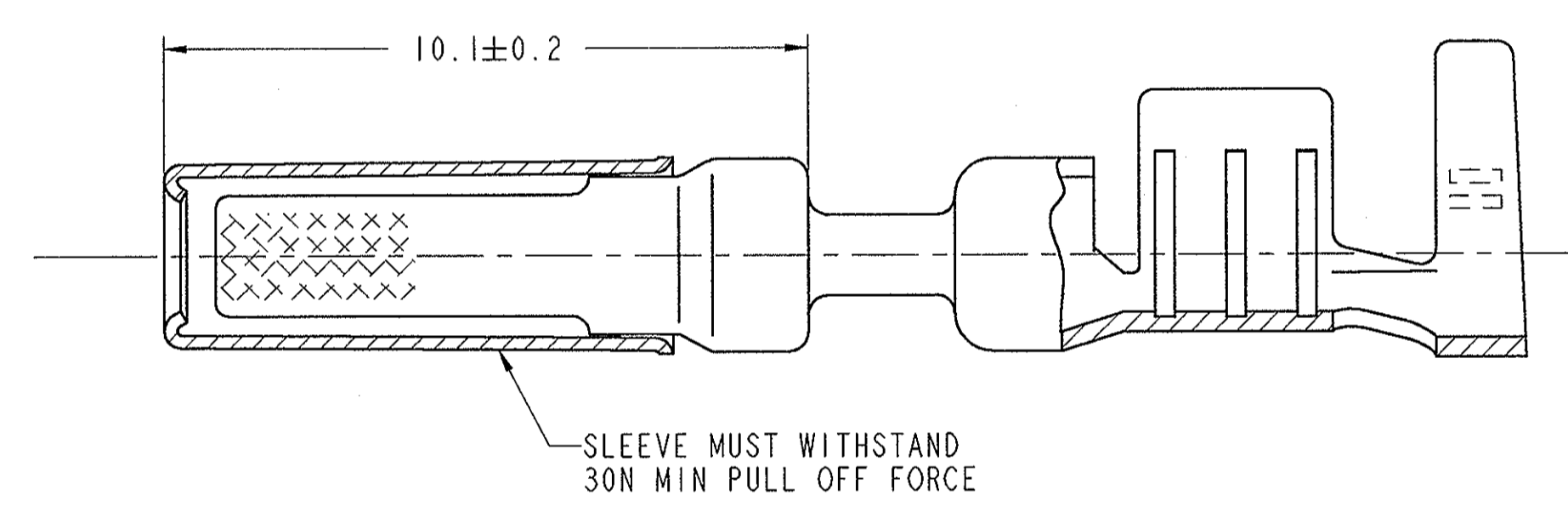
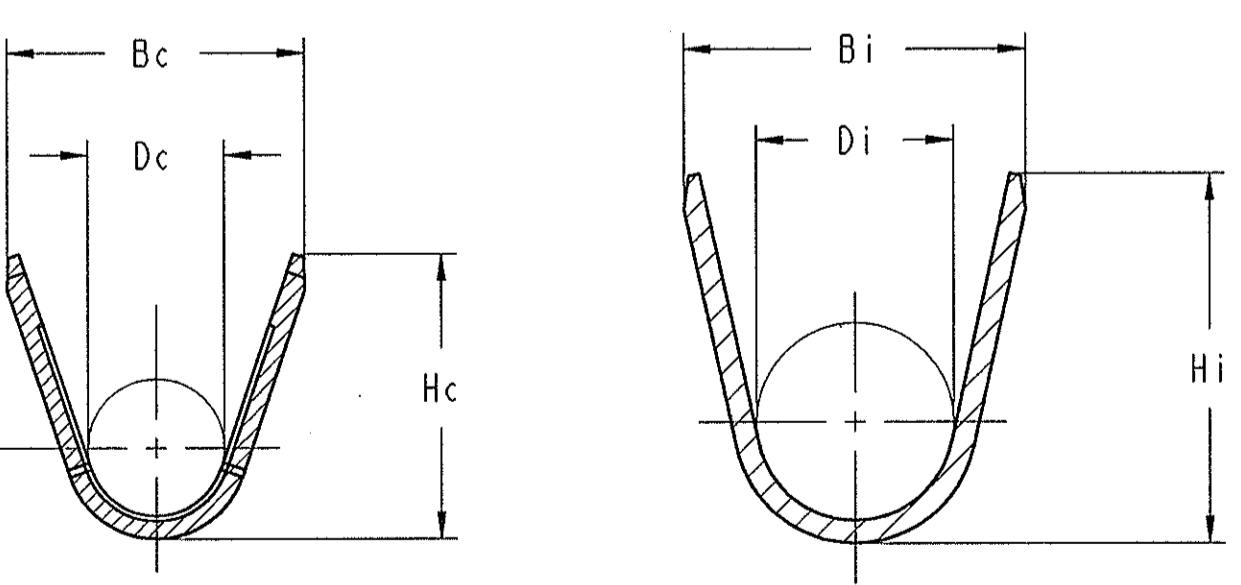
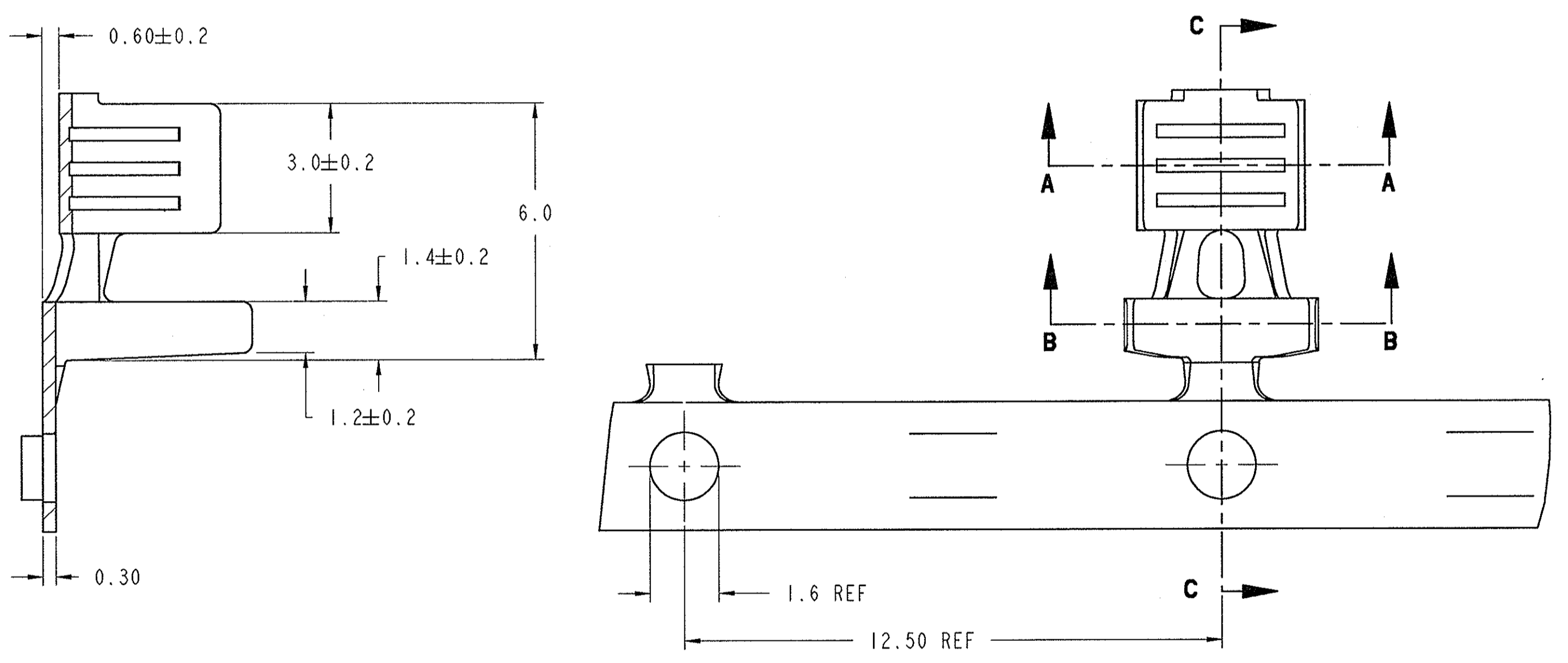
**FULL SIZE VIEWS**  
SCALE 1.000



**FULL ASSY VIEW WATERPROOF**  
SCALE 2.000



**SECTION C-C**



- 1 SUPERSEDES 2-14377709-0
- 2 SUPERSEDES 2-14377709-1

PART AS SUPPLIED								COMPONENTS			MATERIALS			COMPONENTS SUPPLIED APART		TO FIT IN CAVITY	
P/N	PART REV.	DESCRIPTION	WATERPROOF	WIRE CROSS SEC. AREA	CRIMP CODE	CRIMP SPEC.	WEIGHT	TERMINAL	SLEEVE	WIRE SEAL	TERMINAL	SLEEVE	GREASE	WIRE SEAL	TYPE	DESCRIPTION	
0-1437709-9		TERMINAL FEMALE GOLD PLT.		0.22-0.35mm <sup>2</sup>	≡		0.402gr.	I	I	SEE CHART	DIN 17670 (CuSn6)	ALLOY 230 RICH LOW BRASS	INORGANIC GELLED SYNTHETIC HYDROCARBON OIL	1-1437713-1 (0.22-0.35) BLACK	AC/T/19/95	CAVITY TERMINAL FEMALE	
1-1437709-0	A	TERMINAL FEMALE GOLD PLT.	YES	0.50-1.00mm <sup>2</sup>	≡≡	AC/T/18/95	0.422gr.	I	I		1-1437713-2 (0.50-1.00) RED						
1-1437709-7		TERMINAL FEMALE GOLD PLT.		1.50-2.50mm <sup>2</sup>	≡≡≡		0.443gr.	I	I		1-1437713-3 (1.50) BLUE						
0-1437709-9		TERMINAL FEMALE GOLD PLT.		0.22-0.35mm <sup>2</sup>	≡		0.402gr.	I	I	NOT USED	(A)	TIN PLATED MATTE					
1-1437709-0	A	TERMINAL FEMALE GOLD PLT.	NO	0.50-1.00mm <sup>2</sup>	≡≡	AC/T/18/95	0.422gr.	I	I								
1-1437709-7		TERMINAL FEMALE GOLD PLT.		1.50-2.50mm <sup>2</sup>	≡≡≡		0.443gr.	I	I								

DIMENSIONS: 		TOLERANCES UNLESS OTHERWISE SPECIFIED: 0 PLC ± 1 PLC ±0.3 2 PLC ±0.1 3 PLC ± 4 PLC ± ANGLES ±1° FINISH -		DWN M. PALMA 20JUN2007 CHK R. MARTINI 20JUN2007 APVD A. GENTA 20JUN2007	tyco Electronics tyco Electronics AMP ITALIA S.p.A. Corso F.lli Cervi, 15 Collegao (TO)
MATERIAL: -		WEIGHT: -		NAME: I,6 SYSTEM TERMINAL FEMALE GOLD PLATED	
CUSTOMER DRAWING		SCALE: 10:1		SIZE: A1 CAGE CODE: 00779 DRAWING NO: 1418069 SHEET: 2 OF 2 REV: P	

## X-ON Electronics

Largest Supplier of Electrical and Electronic Components

*Click to view similar products for [Automotive Connectors](#) category:*

*Click to view products by [TE Connectivity](#) manufacturer:*

Other Similar products are found below :

[003-018-000](#) [60403001](#) [60993906-B](#) [M902-2131](#) [M902-2161](#) [M902-2344](#) [72.330.1035.1](#) [73.353.4028.0](#) [F119300-B](#) [F166900](#) [F258300-B](#)  
[F358300-B](#) [F407400](#) [F444110](#) [F487000](#) [F509500B-B](#) [827153-1](#) [8N1515-32-24P](#) [9-1326729-8](#) [925474-1](#) [928905-1](#) [964562-4](#) [968782-1](#)  
[GT17SA-8DS-HU](#) [98891-1012](#) [98947-1016](#) [12004147](#) [12004475-L](#) [12010290](#) [12015454](#) [12020219-B](#) [12041318-B](#) [12052225-L](#) [12052466](#)  
[12064869](#) [12004327-B](#) [12015308](#) [12015384](#) [12015909](#) [1-21030-1](#) [12041254](#) [12041318](#) [12047946-B](#) [12047957](#) [12047957-L](#) [12059473](#)  
[12066261](#) [12110546](#) [12110546-B](#) [12131792](#)