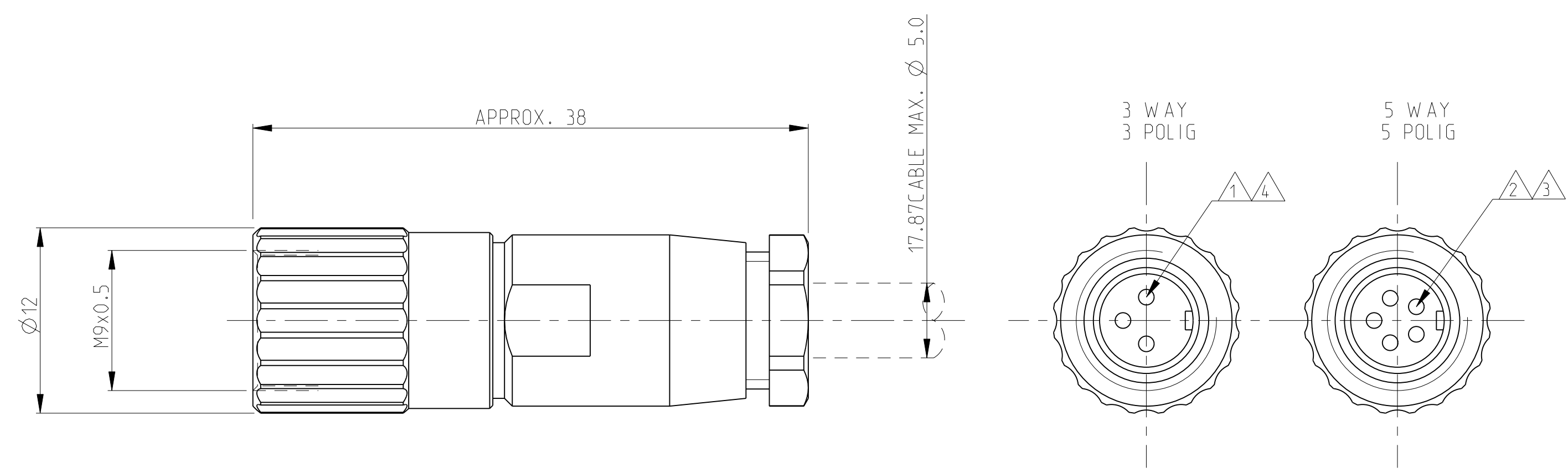
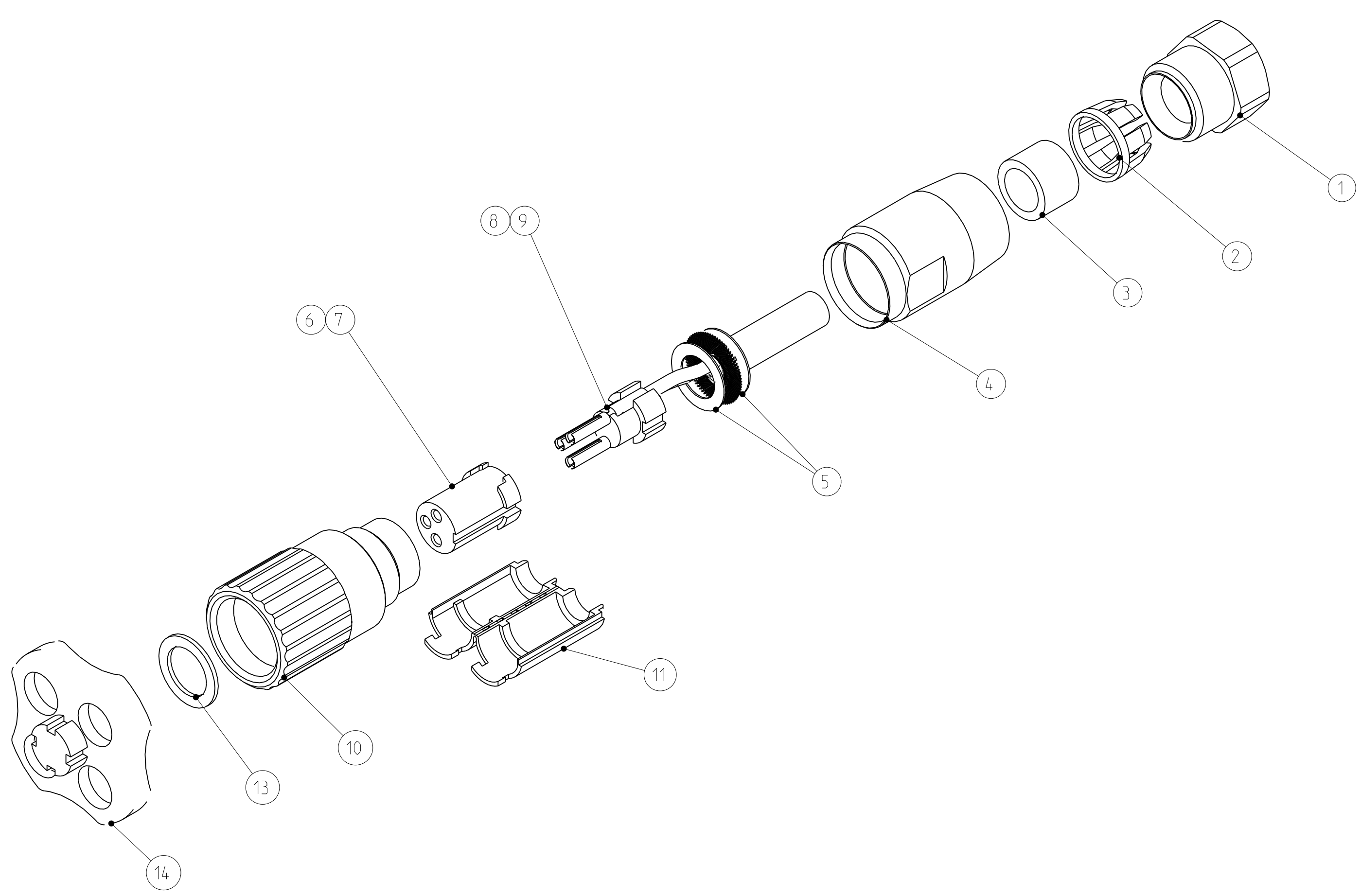


LOC	DIST	REV	DATE	BY	CHKD	APVD
A1	-	A3	13OCT2011	KH	MS	

MATERIAL / MATERIAL: PBT, UL-94 V2	△5
SHELL MATERIAL / GEHAEUSEMATERIAL: BRASS/MESSING	
FINISH / BESCHICHTUNG: TRIBOR 4 µm	
WIRE GAGE / DRAHTGROESSE IN mm <sup>2</sup> : 0.5	△4
WIRE GAGE / DRAHTGROESSE IN mm <sup>2</sup> : 0.14 OR 0.25 OR 0.34	△3
CRIMP CONTACT / CRIMP KONTAKT: SEE PN 5-1437720-7	△2
CRIMP CONTACT / CRIMP KONTAKT: SEE PN 5-1437720-6	△1
SHELL PROTECTION CLASS / SCHUTZKLASSE: IP 65 / DIN 40050	
TEST VOLTAGE / PRUEFSPANNUNG: 500 VAC	
OPERATING VOLTAGE / BETRIEBSSPANNUNG: 60 VAC	
OPERATING TEMPERATURE: -40°C TO +80°C / ARBEITSTEMPERATUR: -40°C BIS +80°C	
MATING CYCLES / STECKZYKLEN: 500 MAX.	
TECHNICAL DATA TECHNISCHE DATEN	



△ CONTACTS OF TYPE TE CONNECTIVITY-PN: 5-1437720-6/T01-0540-S03 MUST BE ORDERED SEPARATELY  
KONTAKTE DES TYPUS TE CONNECTIVITY-PN: 5-1437720-6/T01-0540-S03 MUESSEN SEPARAT BESTELLT WERDEN

△ CONTACTS OF TYPE TE CONNECTIVITY-PN: 5-1437720-7/T01-0540-S05 MUST BE ORDERED SEPARATELY  
KONTAKTE DES TYPUS TE CONNECTIVITY-PN: 5-1437720-7/T01-0540-S05 MUESSEN SEPARAT BESTELLT WERDEN

TE CONNECTIVITY-NO./ TE CONNECTIVITY NR.	QTY REQD PER ASSY	DESCRIPTION / BESCHREIBUNG	ITEM-NO. TEIL-NR.
1-1437719-4 △6	1	MOUNTING WRENCH / MONTAGESCHLUESSEL	14
1-1437719-3 △7	1	SEALING PAD / GUMMIDICHTUNG	13
	1	MOUNTING INSTRUCTION / MONTAGEANLEITUNG	12
	1	INSULATION TUBE / ISOLIERHUELSE	11
	1	SCREWING TUBE / SCHRAUBHUELSE	10
	1	CONTACT HOLDER 5 WAY / STIFTHALTER 5 POLIG	9
	1	CONTACT HOLDER 3 WAY / STIFTHALTER 3 POLIG	8
	1	CONTACT CARRIER 5 WAY / STIFTTRAEGER 5 POLIG	7
	1	CONTACT CARRIER 3 WAY / STIFTTRAEGER 3 POLIG	6
	2	GROUNDING PLATE FOR 360°SHIELDING CONNECTION/ MASSESCHEIBE FUER 360°ABSCHIRMUNG	5
	1	HOUSING / GEHAEUSE	4
	1	CABLE SEALING / KABELDICHTUNG	3
	1	STRAIN RELIEF / ZUGENTLASTUNGSKRONE	2
	1	STRAIN RELIEF NUT / ZUGENTLASTUNGSMUTTER	1
	-	REVISION OF EACH ASSY NO. (WHEN BLANK, USE DWG REV.)	
		DESCRIPTION / BESCHREIBUNG	ITEM-NO. TEIL-NR.
		PARTS LIST / TEILE LISTE	

△6	1-1437719-4	100 PLUG CONNECTORS / STECKVERBINDER COMPONENT PARTS PACKAGED PER 100
△7	1-1437719-3	100 PLUG CONNECTOR / STECKVERBINDER COMPONENT PARTS PACKAGED PER 100
	TE CONNECTIVITY-NO./ TE CONNECTIVITY-NR.	ORDER QUANTITY / BESTELLMENGE

THIS DRAWING IS A CONTROLLED DOCUMENT. DWN: H. GEISLER 18 JUN 2001. CBY: H. SCHERER 18 JUN 2001. APVD: G. FELDMAYER 18 JUN 2001.

STE TE Connectivity

T01 FEMALE PLUG CONNECTOR CRIMPV. 3-5 POS.  
T01 BUCHSENSTECKER CRIMPV. 3-5 POLIG

SIZE: A1 00779. DRAWING NO: 1-1437719-3. SHEET 1 OF 1. REV: A3.

## X-ON Electronics

Largest Supplier of Electrical and Electronic Components

*Click to view similar products for [Standard Circular Connector](#) category:*

*Click to view products by [TE Connectivity](#) manufacturer:*

Other Similar products are found below :

[5M2530B10P](#) [600259N006](#) [600273N007](#) [6134-336-13149](#) [6134-337-11149](#) [6134-337-2390](#) [6134-341-17149](#) [6280-4SG-516](#) [6280-7SG-3DC](#)  
[6290](#) [6291A](#) [66200A-10](#) [680-SMG](#) [681-PMG](#) [CXS3102A14S2P](#) [CXS3102A181S](#) [7271-6SG-300](#) [7282-3PG-300-CH3](#) [75-474014-05S](#) [75-](#)  
[474618-01S](#) [75-474618-04P](#) [75-474618-04S](#) [799539-000](#) [MI8-SE](#) [805-005-07NF11-19PC](#) [805-005-07NF15-7PA](#) [8280-4PG-516](#) [8280-7PG-](#)  
[519](#) [8282-5PG-519](#) [836783-1](#) [MP-4102-25P-C](#) [862256-1](#) [864019-2](#) [866857-1](#) [867865-1](#) [PT01SP-14-18P](#) [PT08P-14-5S](#) [120-1833-000](#)  
[QCM019PC2DC012B](#) [1-2069279-1](#) [121583-0217](#) [121667-0020](#) [129591AU](#) [1000B BULK](#) [RD10A16-19-P6CS051/1](#) [RD10A20-31-](#)  
[P8CS051/1](#) [RD16A14-12-S6CS051/2](#) [1301240290](#) [1301240347](#) [1301860202](#) [1301240268](#)