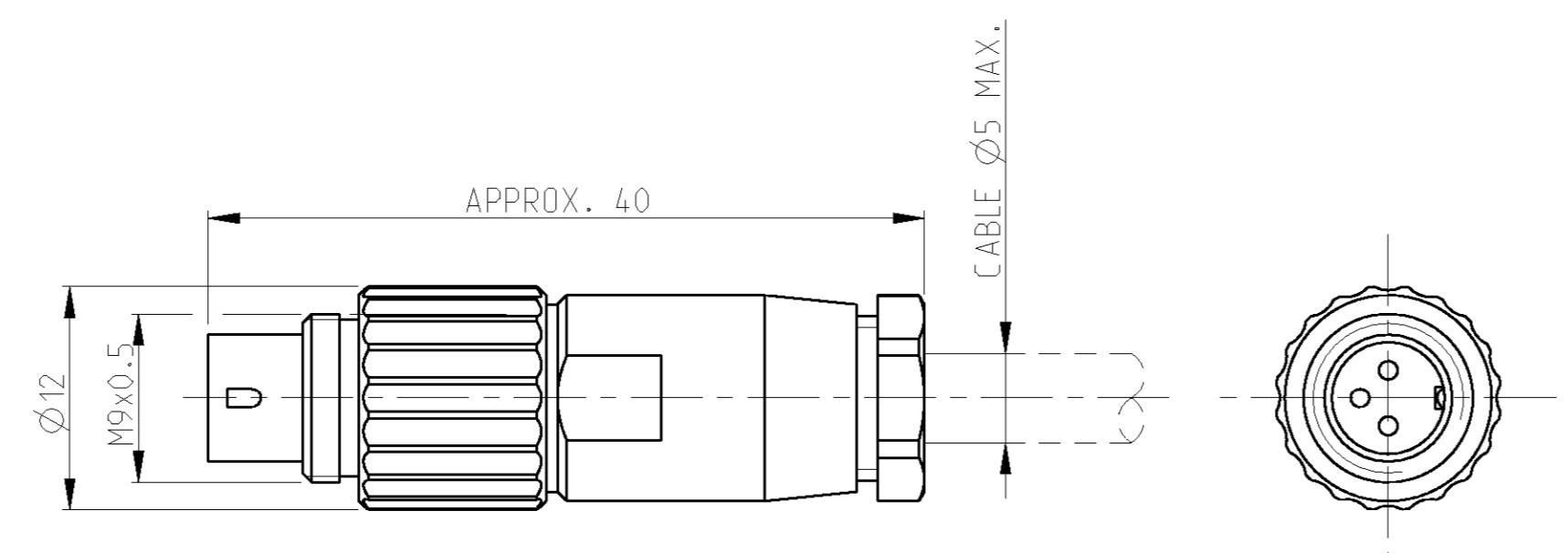
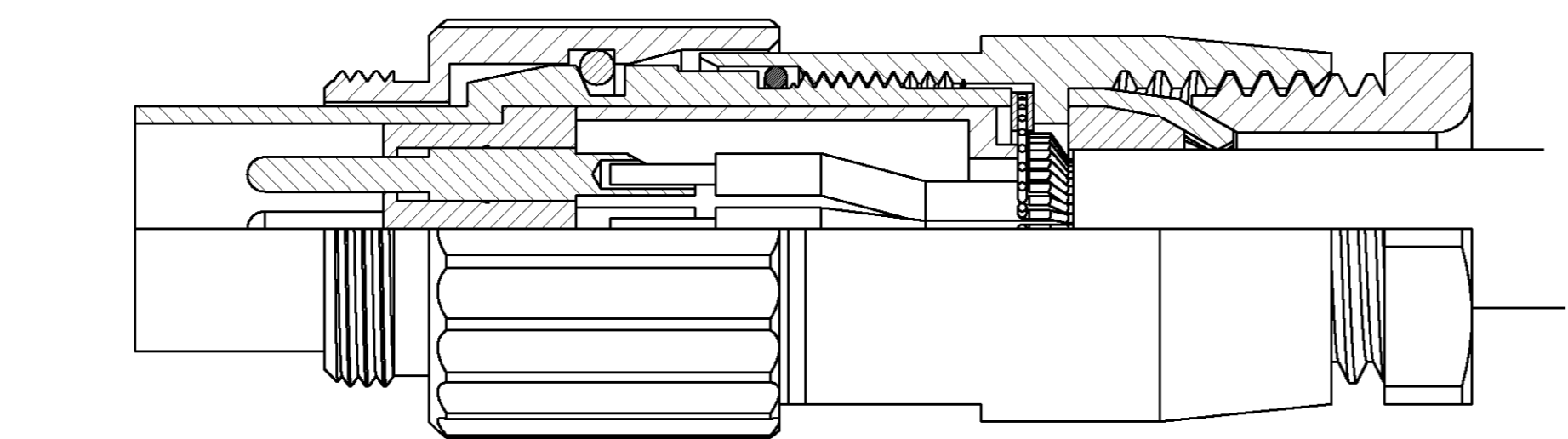
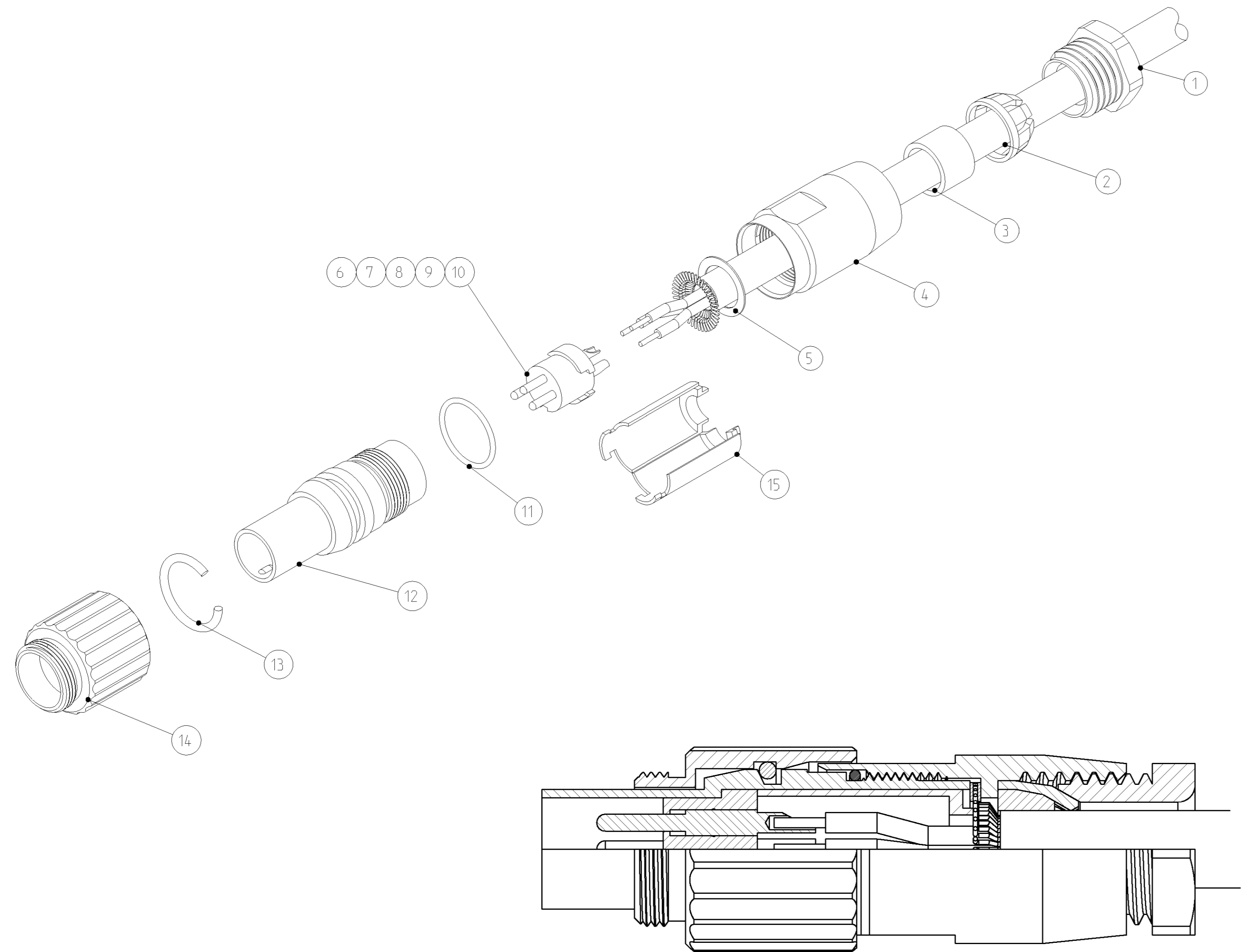
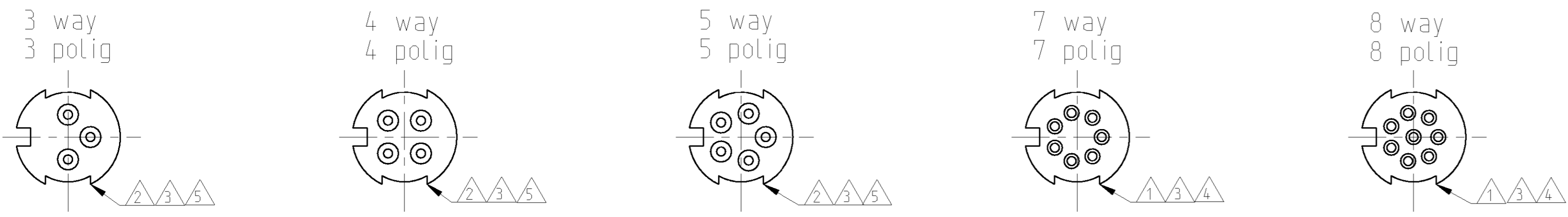


SOLDERING SIDE  
LOETSEITE



1-1437719-5 AS SHOWN  
WIE GEZEICHNET

| LOC | DIST | REV | DATE      | BY | APPD |
|-----|------|-----|-----------|----|------|
| A1  | -    | 1   | 18JUN2001 | NG | GF   |
| B1  | -    | 1   | 23-FEB-04 | EW | GF   |

|   |    |
|---|----|
| MATERIAL / MATERIAL: PBT, UL-94 V2<br>SHELL MATERIAL / GEHAEUSEMATERIAL: CUZN<br>FINISH / BESCHICHTUNG: TRIBOR 4 µm | △6 |
| WIRE GAGE / DRAHTGROESSE IN mm <sup>2</sup> : 0.25  | △5 |
| WIRE GAGE / DRAHTGROESSE IN mm <sup>2</sup> : 0.14  | △4 |
| CONTACT RESISTANCE / KONTAKTWIDERSTAND: => 5 mΩ   | △3 |
| RATED CURRENT PER CONTACT / NENNSTROM PRO KONTAKT: 3 A  | △2 |
| RATED CURRENT PER CONTACT / NENNSTROM PRO KONTAKT: 1 A  | △1 |
| SHELL PROTECTION CLASS / SCHUTZKLASSE: IP 65 / DIN 40050  |    |
| TERMINATION: SOLDERING / VERBINDUNG: LOETKONTAKTE   |    |
| TEST VOLTAGE / PRUEFSPANNUNG: 500 VAC   |    |
| OPERATING VOLTAGE / BETRIEBSSPANNUNG: 60 VAC  |    |
| OPERATING TEMPERATURE: -40°C TO +80°C /<br>ARBEITSTEMPERATUR: -40°C BIS +80°C                                       |    |
| MATING CYCLES / STECKZYKLEN: 500 MAX.   |    |
| TECHNICAL DATA<br>TECHNISCHE DATEN  |    |

| TYCO NO. / TYCO-NR. | QTY REQD PER ASSY | DESCRIPTION<br>BESCHREIBUNG  | ITEM NO.<br>POS.-NR. |
|---------------------|-------------------|--|----------------------|
| 2-1437719-7         | 1                 | MOUNTING WRENCH /<br>MONTAGESCHLUESSEL   | 18                   |
| 2-1437719-4         | 1                 | COMPLETELY IN MINI-GRIP /<br>KOMPLETT IN MINI-GRIP: 70x100mm                               | 17                   |
| 2-1437719-1         | 1                 | MOUNTING INSTRUCTION /<br>MONTAGEANLEITUNG   | 16                   |
| 1-1437719-8         | 1                 | INSULATION TUBE /<br>ISOLIERHUELSE   | 15                   |
| 1-1437719-5         | 1                 | SCREWING TUBE /<br>SCHRAUBHUELSE   | 14                   |
|                     | 1                 | SPRING /<br>FEDER  | 13                   |
|                     | 1                 | TUBE /<br>INNENHUELSE  | 12                   |
|                     | 1                 | O-RING /<br>O-RING   | 11                   |
|                     | 1                 | CONTACT CARRIER 8 WAY /<br>STIFTSTECKER 8 POLIG  | 10                   |
|                     | 1                 | CONTACT CARRIER 7 WAY /<br>STIFTSTECKER 7 POLIG  | 9                    |
|                     | 1                 | CONTACT CARRIER 5 WAY /<br>STIFTSTECKER 5 POLIG  | 8                    |
|                     | 1                 | CONTACT CARRIER 4 WAY /<br>STIFTSTECKER 4 POLIG  | 7                    |
|                     | 1                 | CONTACT CARRIER 3 WAY /<br>STIFTSTECKER 3 POLIG  | 6                    |
|                     | 1                 | GROUNDING PLATE FOR 360°<br>SHIELDING CONNECTION/<br>MASSESCHIEBE FUER 360°<br>ABSCHIRMUNG | 5                    |
|                     | 1                 | HOUSING /<br>GEHAEUSE  | 4                    |
|                     | 1                 | CABLE SEALING /<br>KABELDICHTUNG   | 3                    |
|                     | 1                 | STRAIN RELIEF /<br>ZUGENTLASTUNGSKRONE   | 2                    |
|                     | 1                 | STRAIN RELIEF NUT /<br>ZUGENTLASTUNGSMUTTER  | 1                    |
|                     | -                 | REVISION OF EACH ASSY NO.<br>(WHEN BLANK, USE DWG REV.)                                    |                      |
|                     |                   | PARTS LIST<br>TEILELISTE   |                      |

|                                |  |  |   |
|--------------------------------|--|--|---|
| DIMENSIONS:<br>MASSENMEN: (mm) | TOLERANCES:<br>ALLERGENAUERHEITEN:<br>OTHERWISE SPECIFIED:<br>SONSTIGES ANGEWENDET | DWG NO.: H. GEISTER<br>DATE: 18JUN2001<br>CHK: H. SCHERER<br>APVD: E. FELDMAYER<br>DATE: 18JUN2001 | NAME: tyco Electronics AMP GmbH<br>D-64625 Bensheim |
| MATERIAL:                      | FINISH:  | PRODUCT SPEC:<br>APPLICATION SPEC:<br>VERARBEITUNGSSPEZ.   | CUSTOMER DRAWING                                    |
| WEIGHT:<br>BEWICHT             | FINISH:  | DRAWING NO.: 00779<br>SCALE: 1:1   | SHEET 1 OF 1<br>REV B1                              |

## X-ON Electronics

Largest Supplier of Electrical and Electronic Components

*Click to view similar products for [Standard Circular Connector](#) category:*

*Click to view products by [TE Connectivity](#) manufacturer:*

Other Similar products are found below :

[5M2530B10P](#) [600259N006](#) [600273N007](#) [6134-336-13149](#) [6134-337-11149](#) [6134-337-2390](#) [6134-341-17149](#) [6280-4SG-516](#) [6280-7SG-3DC](#)  
[6290](#) [6291A](#) [66200A-10](#) [680-SMG](#) [681-PMG](#) [CXS3102A14S2P](#) [CXS3102A181S](#) [7251-5SG-300](#) [7271-6SG-300](#) [7282-3PG-300-CH3](#) [75-](#)  
[474618-01S](#) [75-474618-04P](#) [75-474618-04S](#) [799539-000](#) [MI8-SE](#) [805-005-07NF11-19PC](#) [805-005-07NF15-7PA](#) [8280-4PG-516](#) [8280-7PG-](#)  
[519](#) [8282-5PG-519](#) [836783-1](#) [MP-4102-25P-C](#) [862256-1](#) [864019-2](#) [866857-1](#) [867865-1](#) [PT01SP-14-18P](#) [PT08P-14-5S](#) [PTSF06SE-14-12S](#)  
[120-1833-000](#) [QCM019PC2DC012B](#) [1-2069279-1](#) [121583-0217](#) [121667-0020](#) [129591AU](#) [1000B BULK](#) [RD10A16-19-P6CS051/1](#)  
[RD10A20-31-P8CS051/1](#) [RD16A14-12-S6CS051/2](#) [1301240290](#) [1301240347](#) [1301860202](#)