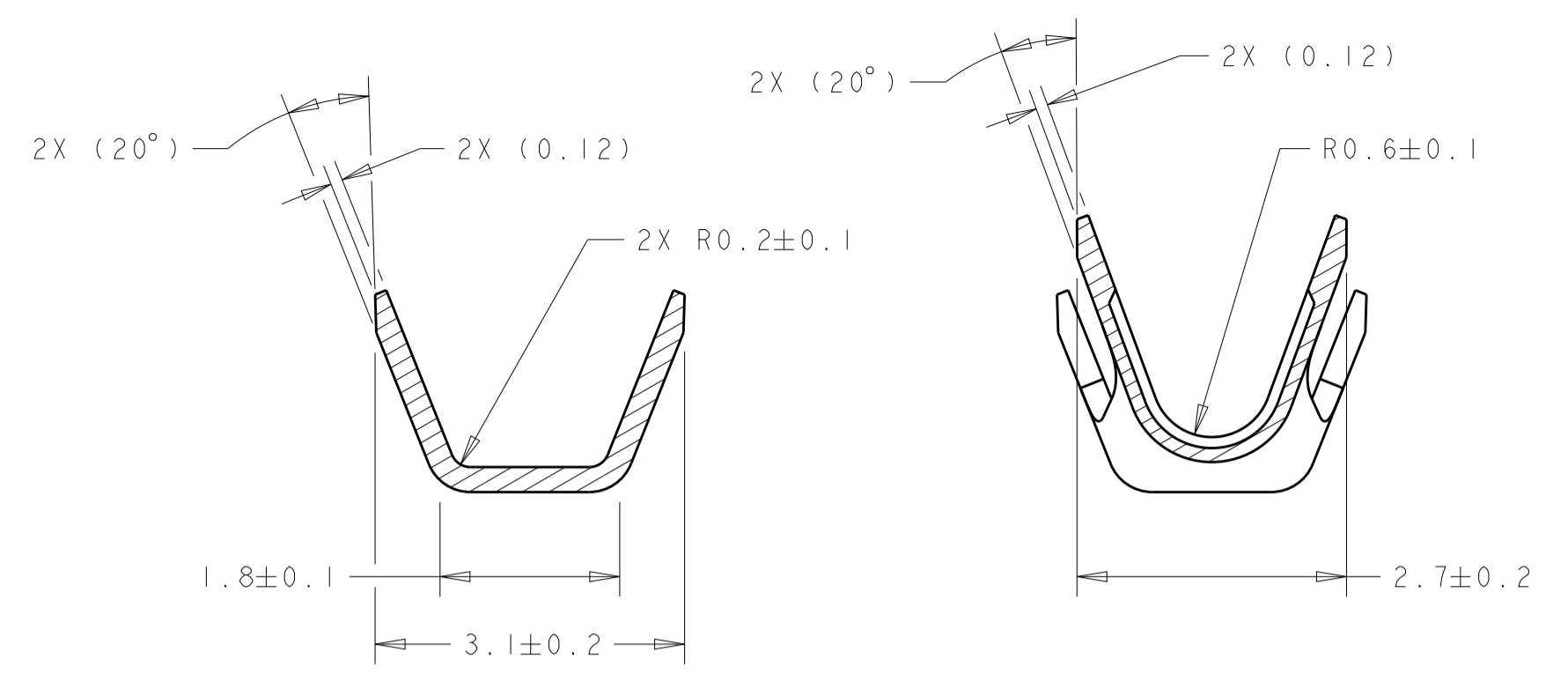
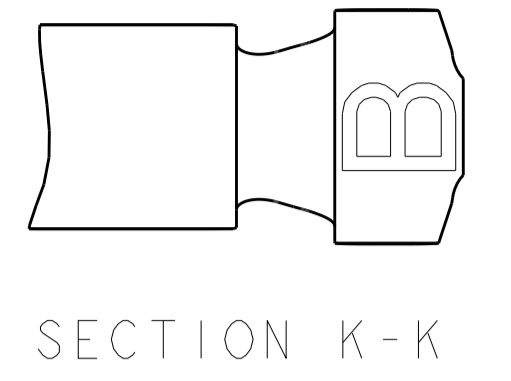


REVISIONS				
P.	LTN	DESCRIPTION	DATE	OWN APVD
F1		REVISED PER ECO-11-005030	11MAR2011	RK HMR
F2		REVISED PER ECO-15-010152	09JUL2015	DLD WTW
F3		REVISED PER ECO-15-017989	16DEC2015	DLD WTW

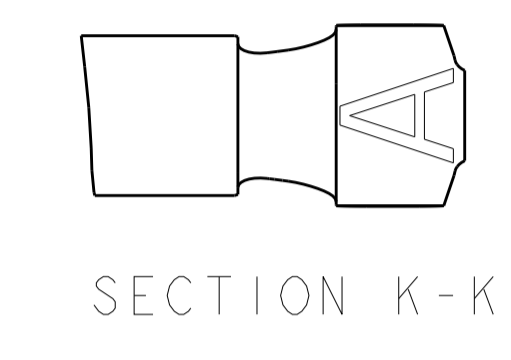


SECTION J-J SECTION H-H

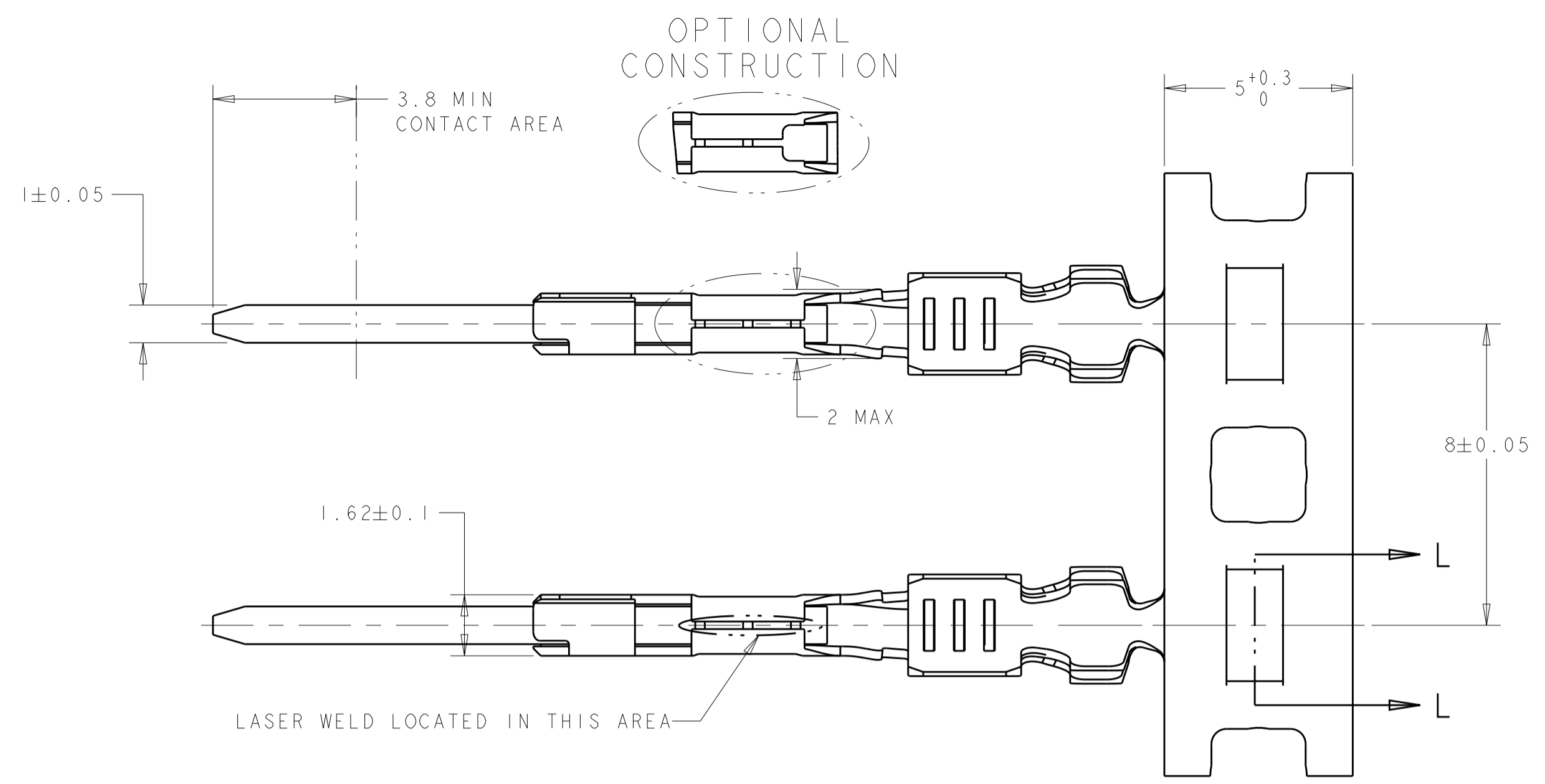
CRIMP B  
WIRE CRIMP AREAS



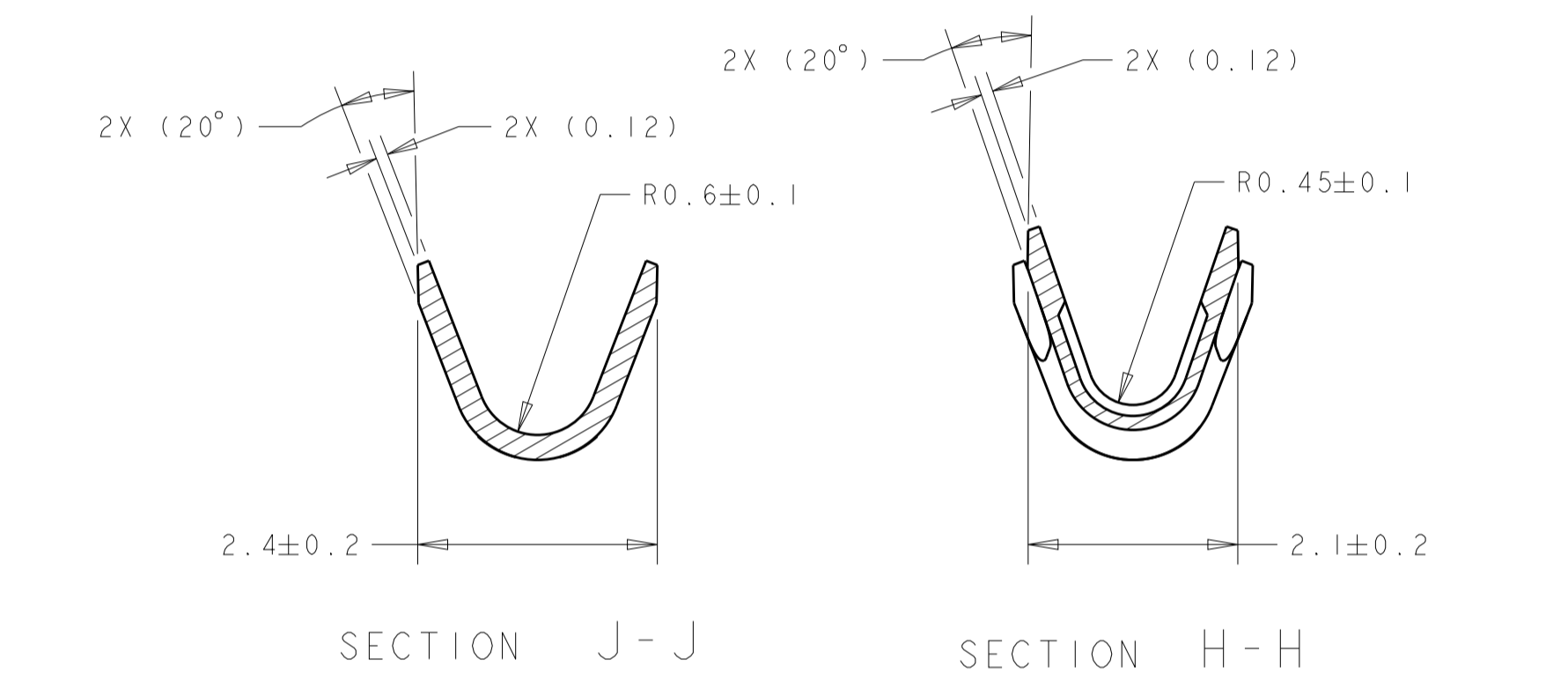
SECTION K-K



SECTION K-K

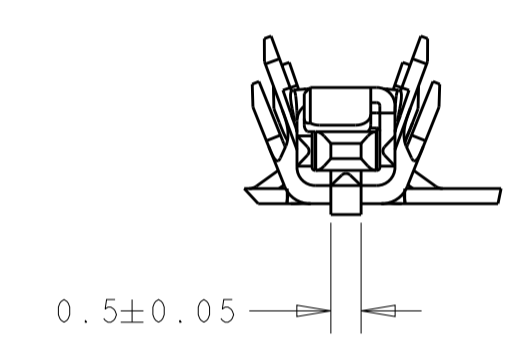


OPTIONAL  
CONSTRUCTION

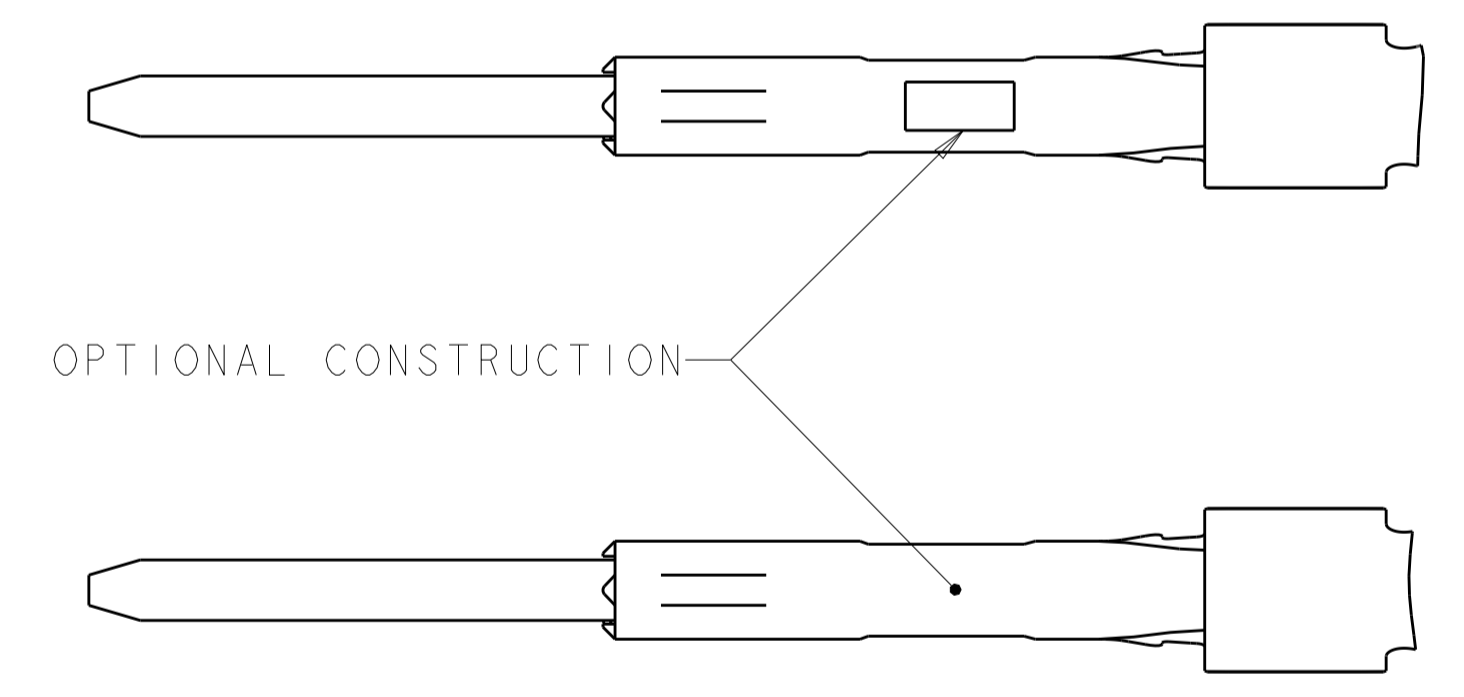
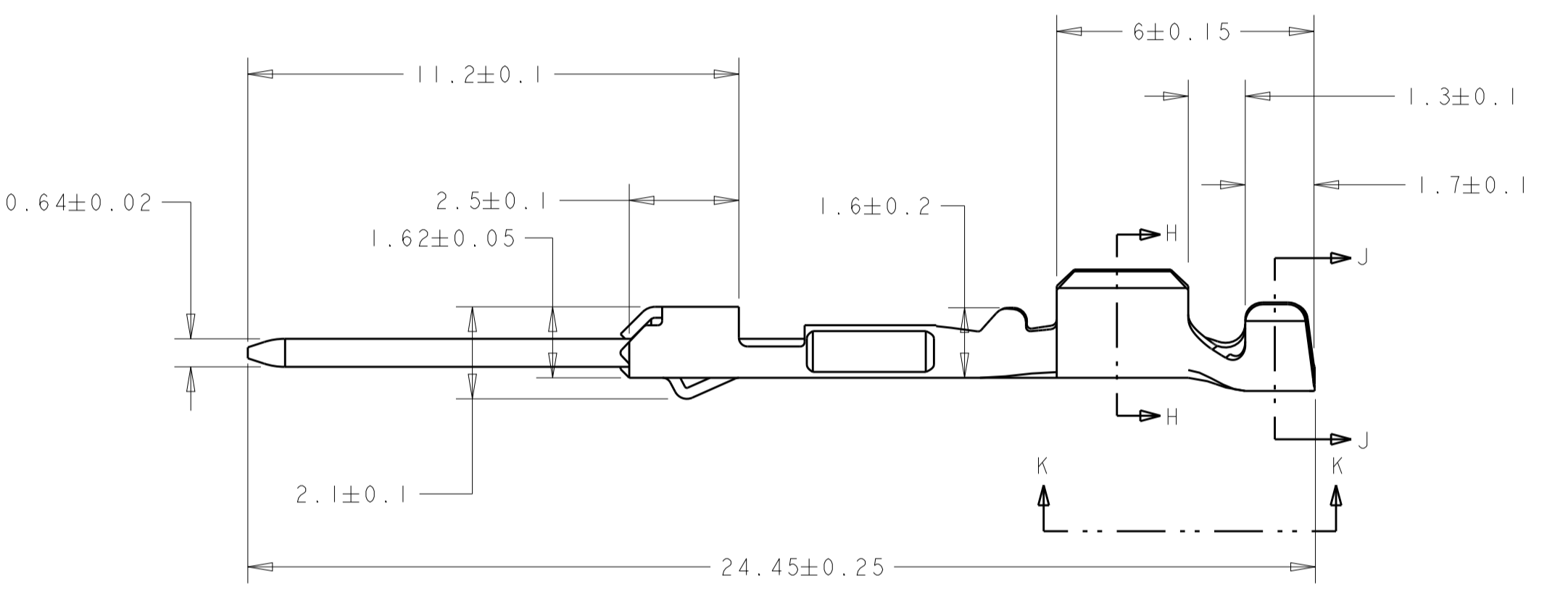


SECTION J-J SECTION H-H

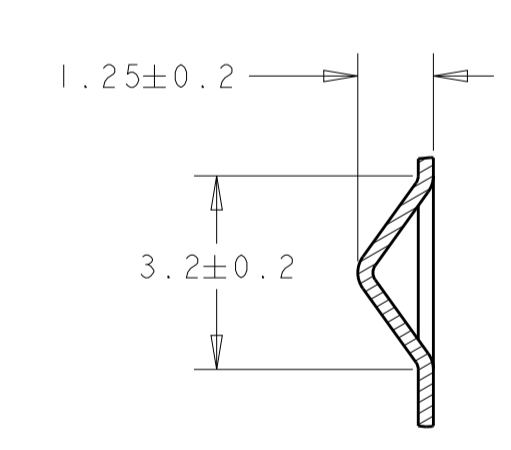
CRIMP A  
WIRE CRIMP AREAS



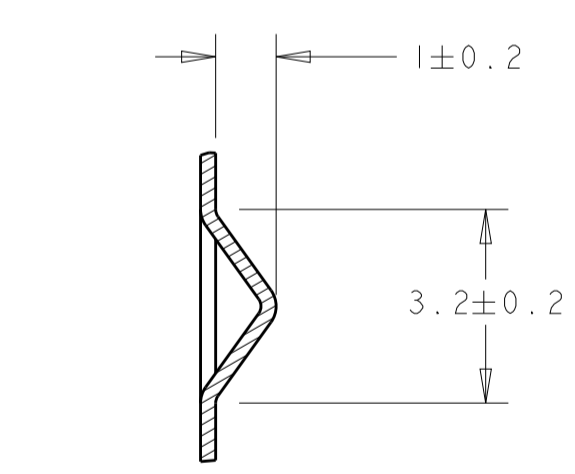
SECTION L-L



OPTIONAL CONSTRUCTION

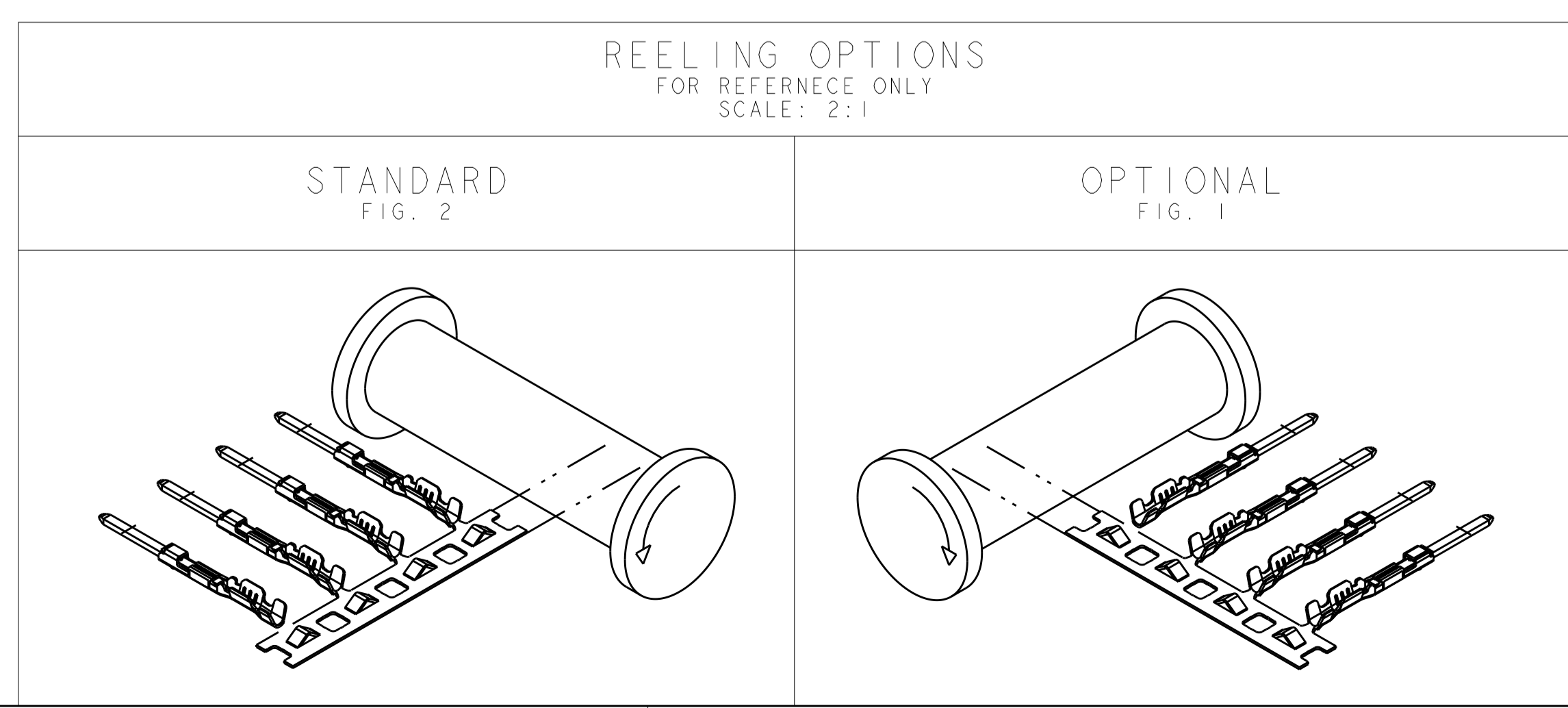


SECTION L-L  
TIN VERSIONS



SECTION L-L  
GOLD AND SILVER VERSIONS

1-1438299-1	B	0.50/0.75	FIG. 1	SILVER
1-1438299-0	A	0.22/0.35	FIG. 1	SILVER
1438299-8	B	0.50/0.75	FIG. 2	SILVER
1438299-7	A	0.22/0.35	FIG. 2	SILVER
1438299-4	B	0.50/0.75	FIG. 1	TIN
1438299-3	B	0.50/0.75	FIG. 1	GOLD
1438299-2	A	0.22/0.35	FIG. 1	TIN
1438299-1	A	0.22/0.35	FIG. 1	GOLD
2-1419158-5	B	0.50/0.75	FIG. 2	TIN
2-1419158-3	B	0.50/0.75	FIG. 2	GOLD
1-1419158-6	A	0.22/0.35	FIG. 2	TIN
3-1419158-1	A	0.22/0.35	FIG. 2	GOLD
PART NO	WIRE CRIMP CODING	CONDUCTOR WIRE SIZE	REELING	PLATING SPEC.



REELING OPTIONS  
FOR REFERENCE ONLY  
SCALE: 2:1

STANDARD  
FIG. 2

OPTIONAL  
FIG. 1

3-1419158-1  
PART NUMBER

THIS DRAWING IS A CONTROLLED DOCUMENT.		OWN DL DRUMMOND 22JAN2004	TE Connectivity	
DIMENSIONS:		CHK WT WELLINSKY 23JAN2004	NAME	
mm		APVD WT WELLINSKY 23JAN2004	0.64mm GET MALE IN-LINE TERMINAL	
TOLERANCES UNLESS OTHERWISE SPECIFIED:		PRODUCT SPEC	SIZE CAGE CODE DRAWING NO	
0 PLC	±	APPLICATION SPEC	RESTRICTED TO	
1 PLC	±	SEE NOTES	A100779C=3-1419158-1	
2 PLC	±	WEIGHT	SCALE 8:1 SHEET 1 OF 1 REV F3	
3 PLC	±	CUSTOMER DRAWING		
4 PLC	±			
MOLDS	±			
FINISH	±			

## X-ON Electronics

Largest Supplier of Electrical and Electronic Components

*Click to view similar products for [Automotive Connectors](#) category:*

*Click to view products by [TE Connectivity](#) manufacturer:*

Other Similar products are found below :

[003-018-000](#) [60403001](#) [60993906-B](#) [M902-2131](#) [M902-2161](#) [M902-2344](#) [72.330.1035.1](#) [73.353.4028.0](#) [F119300-B](#) [F166900](#) [F258300-B](#)  
[F358300-B](#) [F407400](#) [F444110](#) [F487000](#) [F509500B-B](#) [827153-1](#) [8N1515-32-24P](#) [9-1326729-8](#) [925474-1](#) [928905-1](#) [964562-4](#) [968782-1](#)  
[GT17SA-8DS-HU](#) [98891-1012](#) [98947-1016](#) [12004147](#) [12004475-L](#) [12010290](#) [12015454](#) [12020219-B](#) [12041318-B](#) [12052225-L](#) [12052466](#)  
[12064869](#) [12004327-B](#) [12015308](#) [12015384](#) [12015909](#) [1-21030-1](#) [12041254](#) [12041318](#) [12047946-B](#) [12047957](#) [12047957-L](#) [12059473](#)  
[12066261](#) [12110546](#) [12110546-B](#) [12131792](#)