

THIS DRAWING IS UNPUBLISHED.

RELEASED FOR PUBLICATION

20

© COPYRIGHT 20 BY - ALL RIGHTS RESERVED.

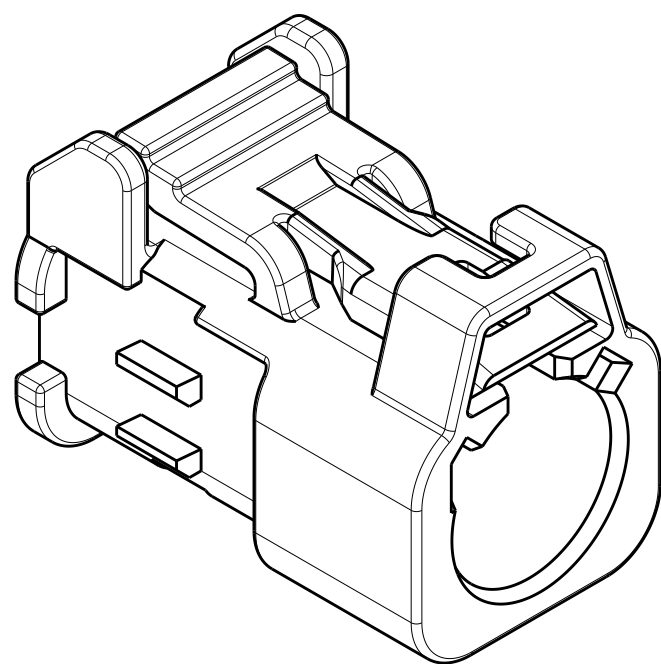
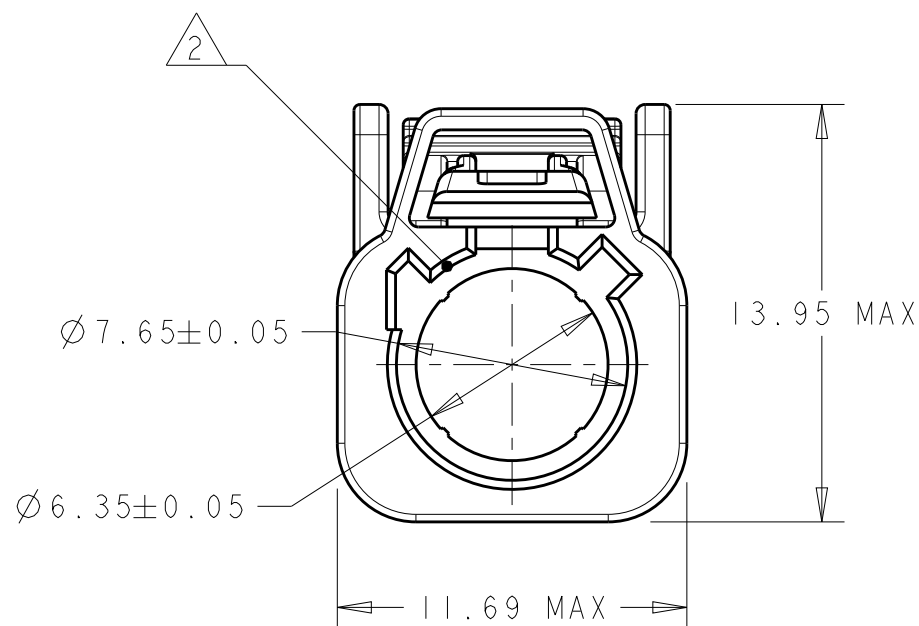
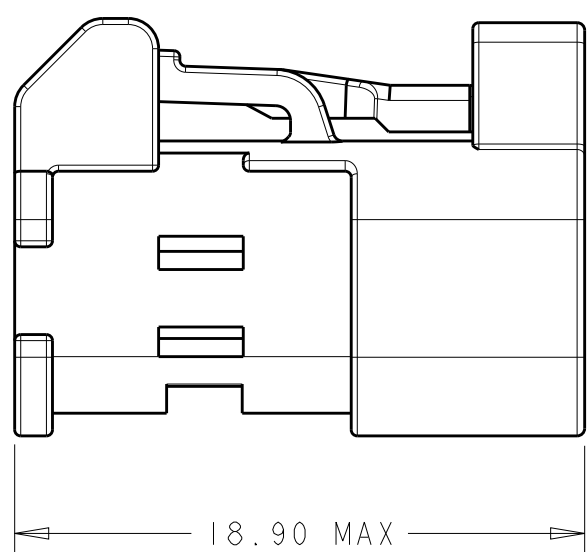
REVISIONS

P	LTR	DESCRIPTION	DATE	DWN	APVD
	D1	REVISED PER ECO-15-015026	19OCT2015	DD	LV
	D2	REVISED PER ECO-16-005357	06APR2016	DD	LV

1 POLYESTER PBT, COLOR: SEE TABLE.

2 PLUG HOUSING ACCEPTS JACK HOUSINGS MEETING DIN 72594-1, ROAD VEHICLES - RADIO FREQUENCY INTERFACE - DIMENSIONS AND ELECTRICAL REQUIREMENTS.

3. SEE INSTRUCTION SHEET 408-10028.



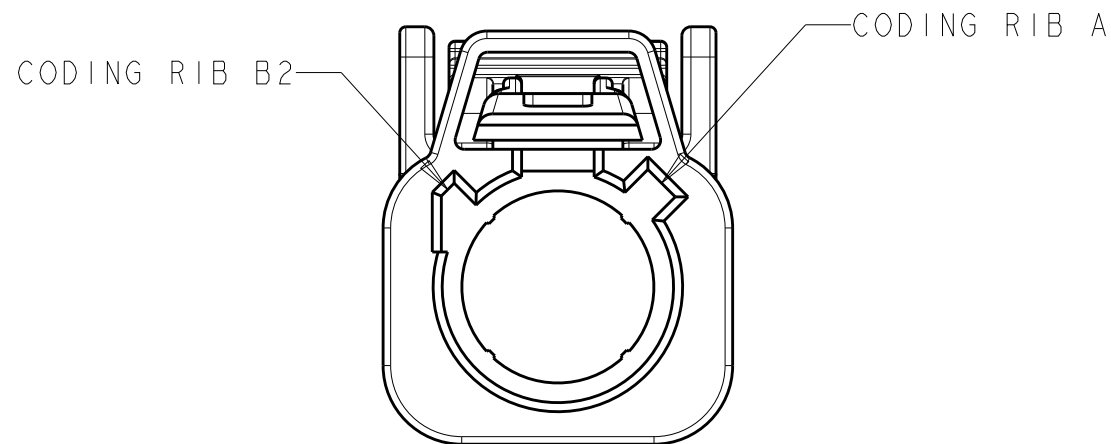
ISOMETRIC VIEW

PER DETAIL M	M	PASTEL ORANGE	1-1438893-2
PER DETAIL K	K	CURRY	1-1438893-0
PER DETAIL I	I	BEIGE	1438893-9
PER DETAIL H	H	HEATHER VIOLET	1438893-8
PER DETAIL G	G	BLUE GRAY	1438893-7
PER DETAIL F	F	NUT BROWN	1438893-6
PER DETAIL E	E	LEAF GREEN	1438893-5
PER DETAIL D	D	CLARET VIOLET	1438893-4
PER DETAIL C	C	SIGNAL BLUE	1438893-3
PER DETAIL B	B	SIGNAL WHITE	1438893-2
KEYING	CODING REF	HOUSING COLOR	PART NUMBER

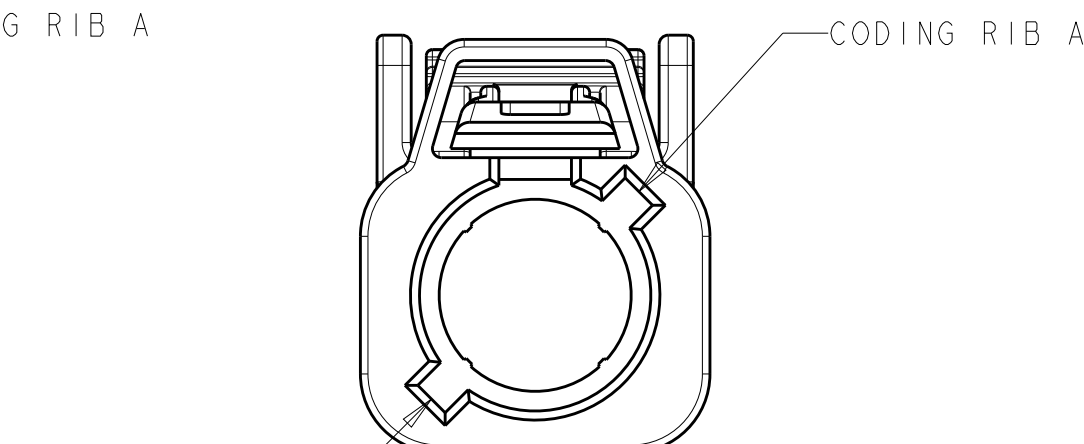
THIS DRAWING IS A CONTROLLED DOCUMENT.		DWN D. J. HARDY 04JAN2006			
DIMENSIONS: mm		CHK J. W. HALL 05JAN2006			
		APVD J. W. HALL 05JAN2006			
TOLERANCES UNLESS OTHERWISE SPECIFIED:		PRODUCT SPEC	NAME PLUG HOUSING, 1 POSITION, FAKRA, SMB		
0 PLC ±- 1 PLC ±- 2 PLC ±- 3 PLC ±- 4 PLC ±- ANGLES ±-		APPLICATION SPEC 114-13157	SIZE A3	CAGE CODE 00779	DRAWING NO 1438893
MATERIAL - 1		FINISH -	WEIGHT -	RESTRICTED TO -	
CUSTOMER DRAWING			SCALE 4:1	SHEET 1 OF 3	REV D2

REVISIONS

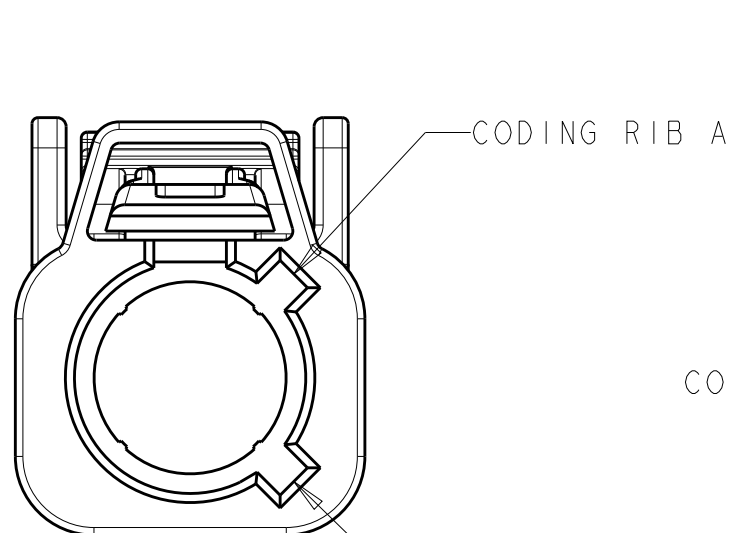
P	LTR	DESCRIPTION	DATE	DWN	APVD
-		SEE SHEET 1	-	-	-



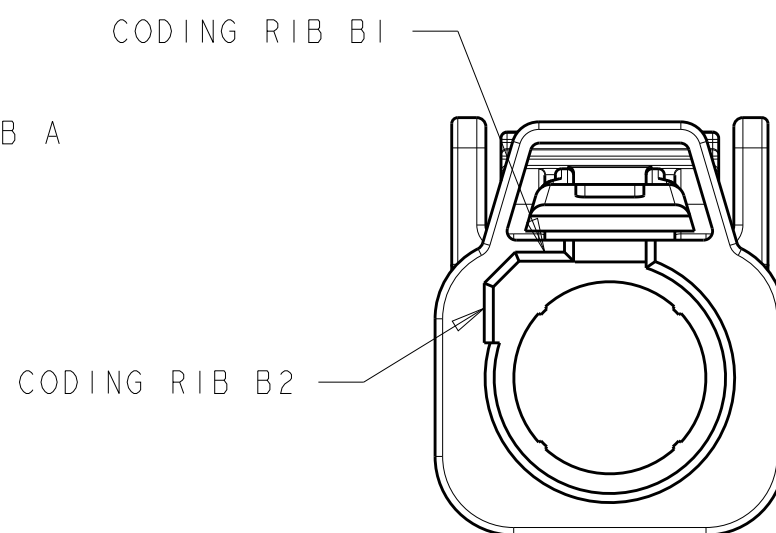
DETAIL B



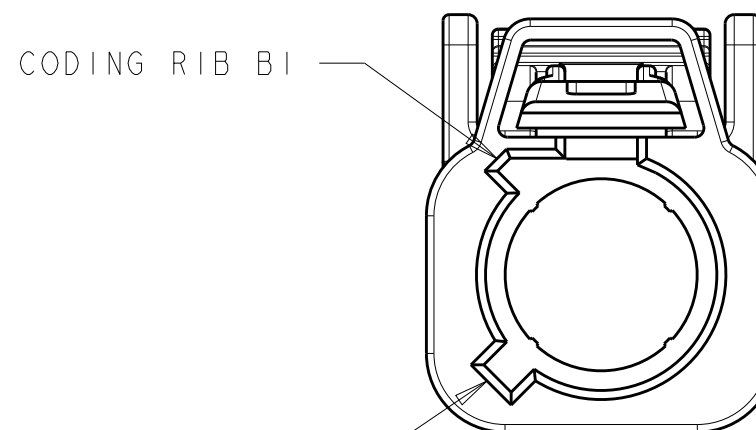
DETAIL C



DETAIL D



DETAIL E

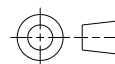


DETAIL F

THIS DRAWING IS A CONTROLLED DOCUMENT.

DIMENSIONS:

mm



TOLERANCES UNLESS OTHERWISE SPECIFIED:

- 0 PLC ±-
- 1 PLC ±-
- 2 PLC ±-
- 3 PLC ±-
- 4 PLC ±-
- ANGLES ±-

MATERIAL

FINISH

DWN 04JAN2006

D. J. HARDY

CHK 05JAN2006

J. W. HALL

APVD 05JAN2006

J. W. HALL

PRODUCT SPEC

-

APPLICATION SPEC

114-13157

WEIGHT

-

CUSTOMER DRAWING



TE Connectivity

NAME

PLUG HOUSING,
1 POSITION, FAKRA, SMB

SIZE

CAGE CODE

DRAWING NO

RESTRICTED TO

A300779

C-1438893

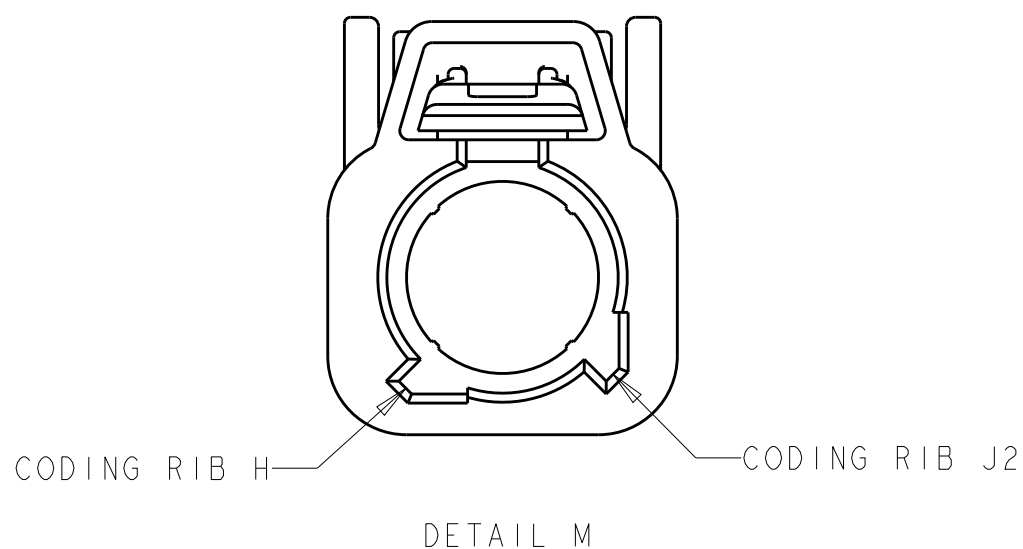
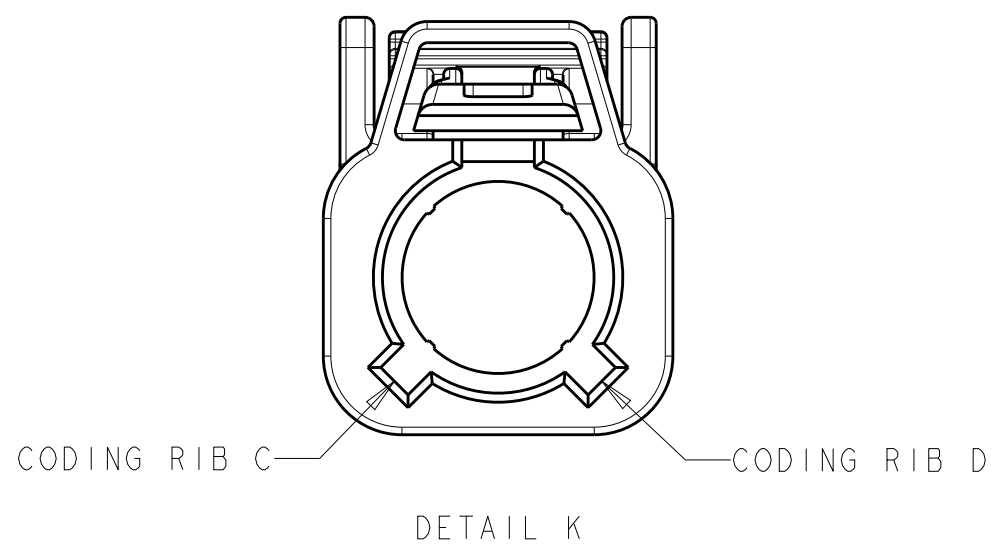
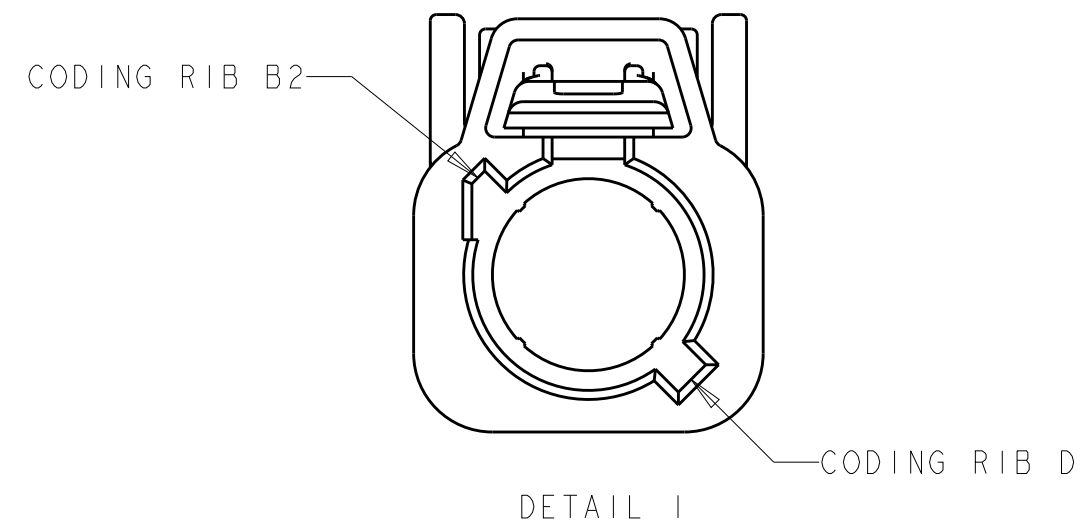
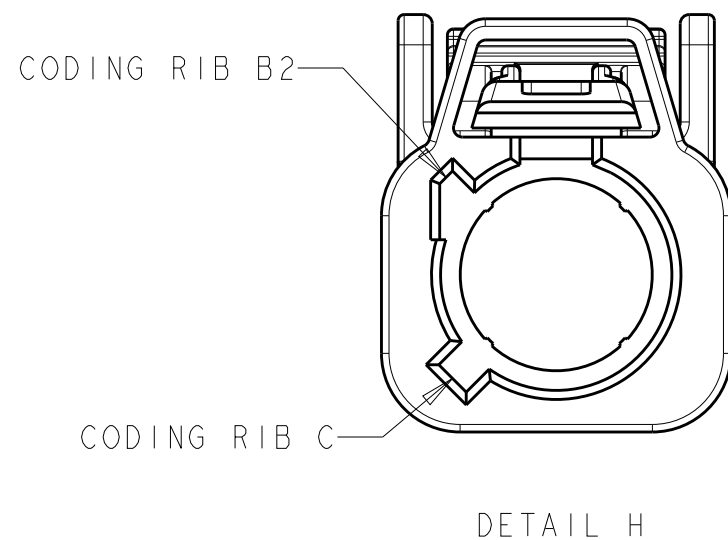
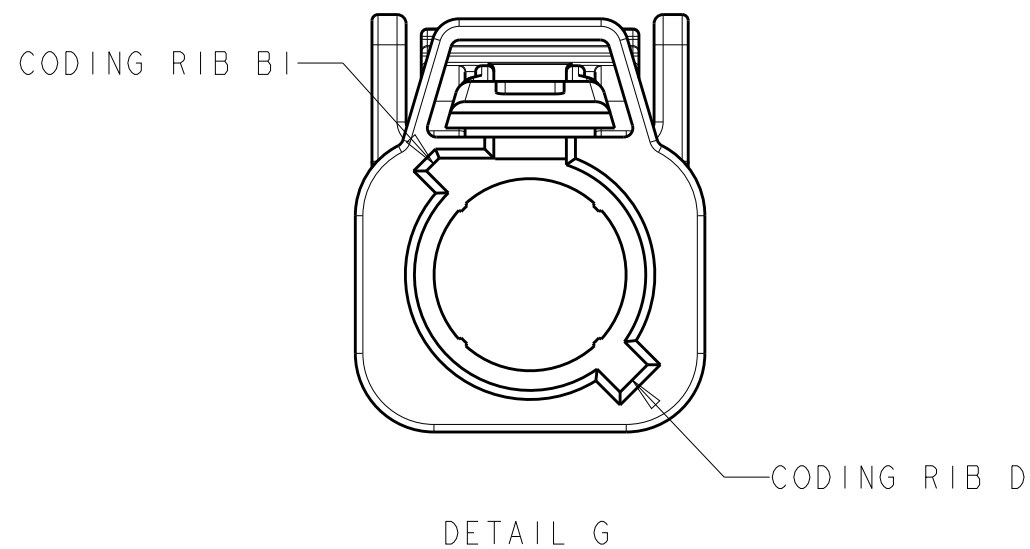
SCALE 4:1

SHEET 2 OF 3

REV D2

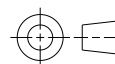
REVISIONS

P	LTR	DESCRIPTION	DATE	DWN	APVD
-	-	SEE SHEET 1	-	-	-



THIS DRAWING IS A CONTROLLED DOCUMENT.

DIMENSIONS:
mm



TOLERANCES UNLESS OTHERWISE SPECIFIED:

- 0 PLC ±-
- 1 PLC ±-
- 2 PLC ±-
- 3 PLC ±-
- 4 PLC ±-
- ANGLES ±-

MATERIAL

-

FINISH

-

DWN 04JAN2006

D. J. HARDY

CHK 05JAN2006

J. W. HALL

APVD 05JAN2006

J. W. HALL

PRODUCT SPEC

-

APPLICATION SPEC

114-13157

WEIGHT

-

CUSTOMER DRAWING



TE Connectivity

NAME

PLUG HOUSING,
1 POSITION, FAKRA, SMB

SIZE

CAGE CODE

DRAWING NO

RESTRICTED TO

A300779

C=1438893

SCALE 4:1

SHEET 3 OF 3

REV D2

X-ON Electronics

Largest Supplier of Electrical and Electronic Components

Click to view similar products for [RF Connector Accessories](#) category:

Click to view products by [TE Connectivity](#) manufacturer:

Other Similar products are found below :

[R280461210](#) [89674-0712](#) [F702RX24](#) [FERRULE-174](#) [9-225381-1](#) [9-228783-0](#) [R125802000](#) [R125812001](#) [R141805000](#) [R141842000](#)
[R141862000W](#) [R161853000W](#) [R161862000](#) [R161862000W](#) [R176811000](#) [R280752000](#) [R280907000](#) [R694261906](#) [RFI155-13-D4](#) [RFI21-13](#)
[RFI25-9](#) [RFI3157-7](#) [RFI75-13-D2](#) [RFI75-3](#) [RFI75-4-D2](#) [RFI97-13](#) [IPP-2013](#) [2098-0294-00](#) [2098-3251-94](#) [RUBBER-CAP-BNC](#) [9-225381-](#)
[0](#) [9-329099-2](#) [9-332224-1](#) [FERRULE-223](#) [202102-11](#) [213337-1](#) [220222-2](#) [24092671A](#) [24092678A](#) [R161841000](#) [R161841000W](#)
[R280510000](#) [R282862060](#) [RFI155-1](#) [RFI25-12-D3](#) [RFI25-5](#) [RFI25-5-D3](#) [RFI75-12-D2](#) [RFI75-4-D10](#) [RFI75-4-D3](#)