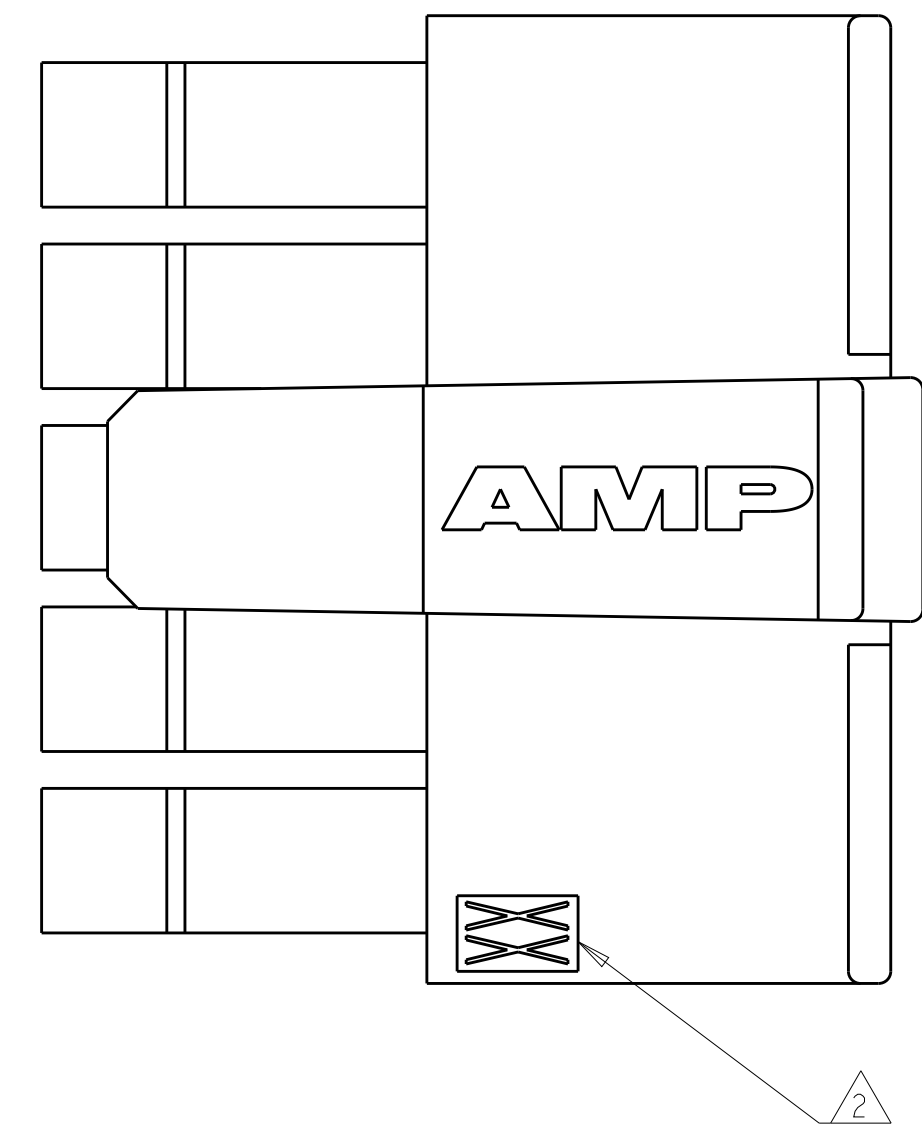
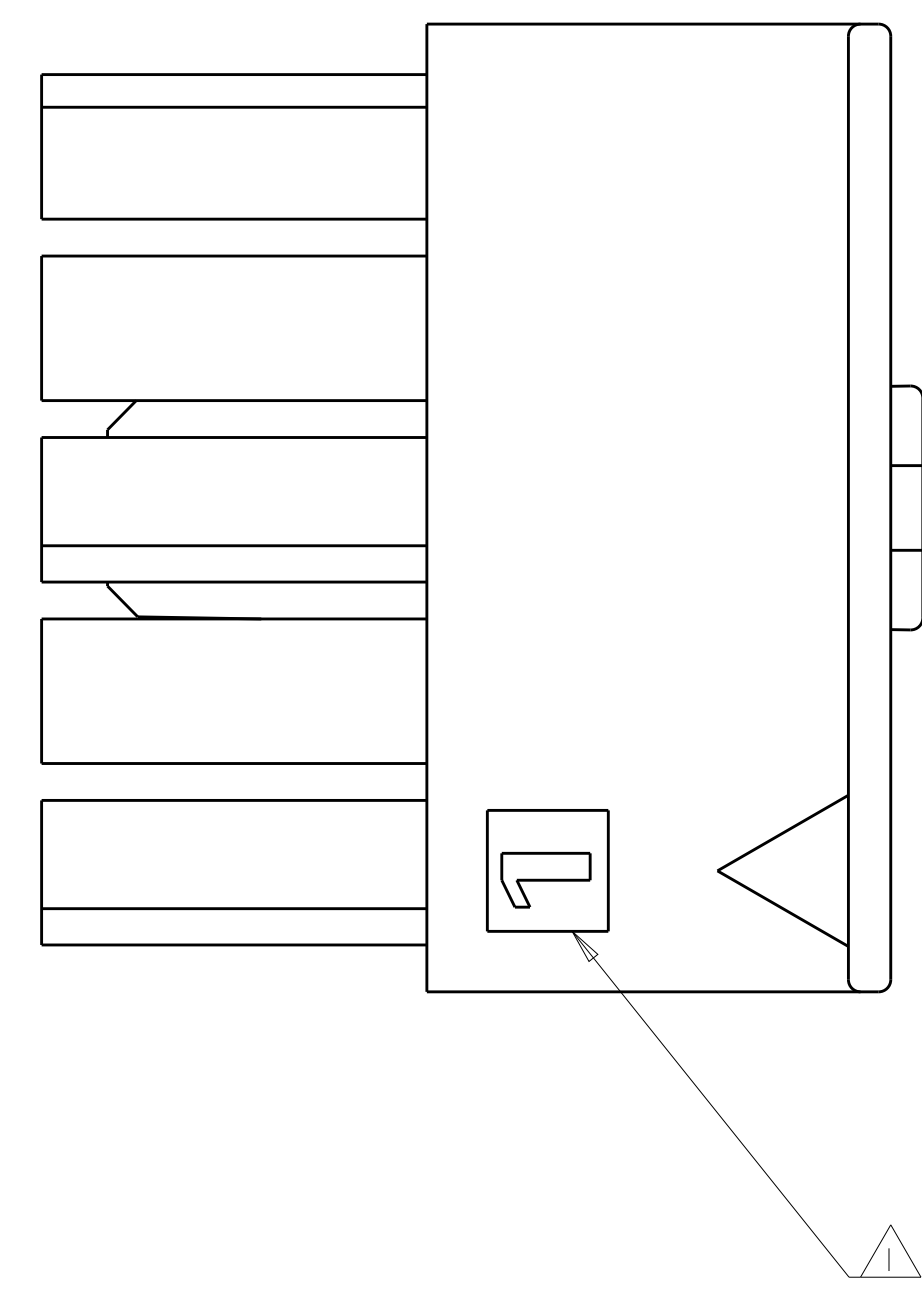
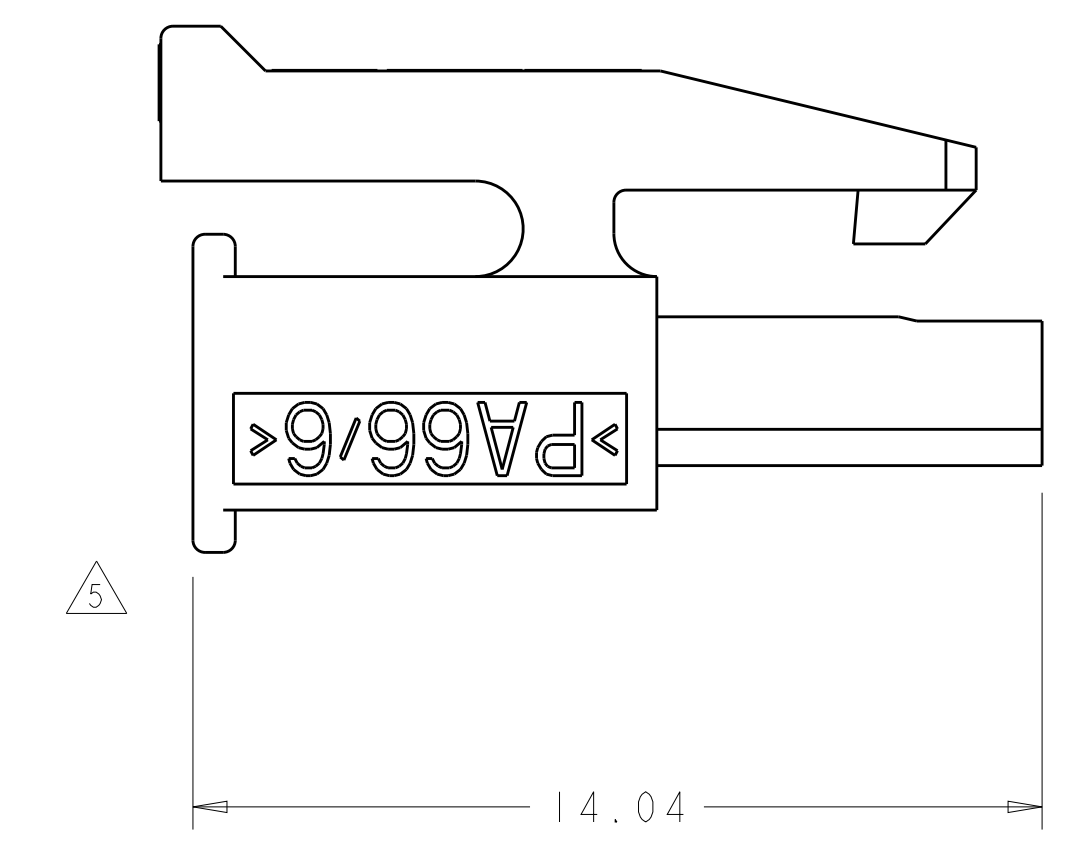
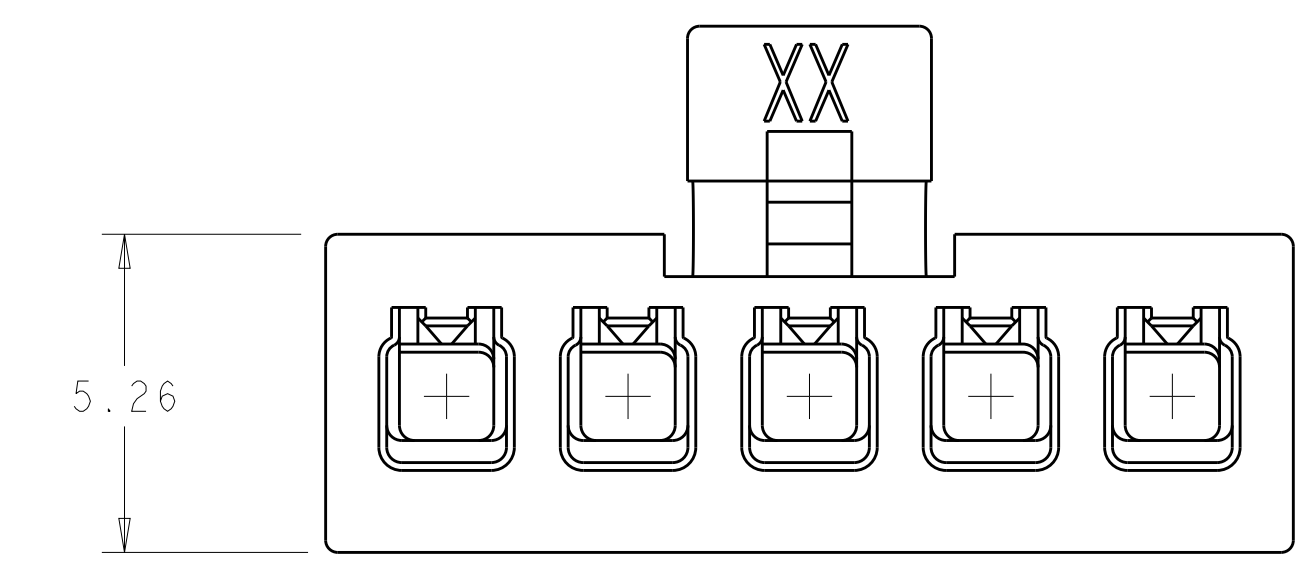
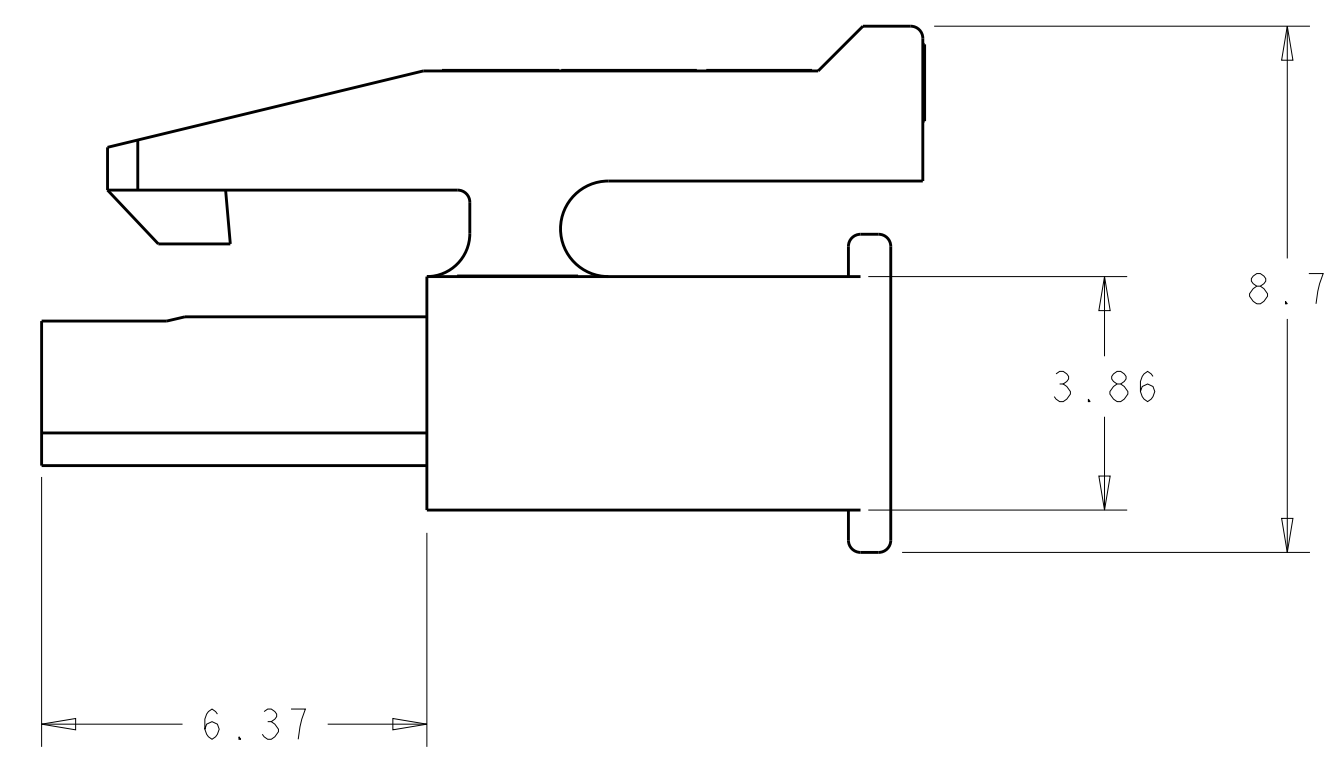
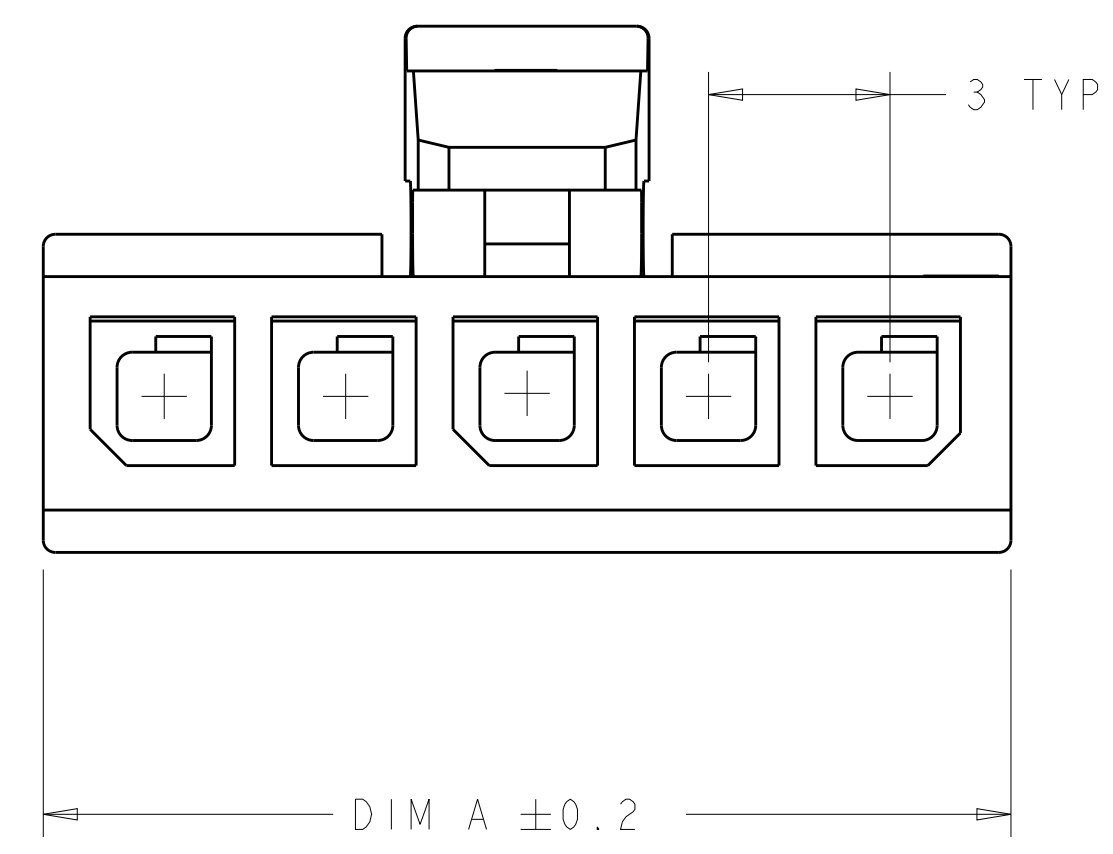


LOC		DIST		REVISIONS			
CM	00	P	LTM	DESCRIPTION	DATE	DWN	APVD
		D4		REVISED PER ECO-19-018884	12DEC2019	WLS	DZ



- △1 CIRCUIT 1 IDENTIFIER, LOCATED APPROXIMATELY AS SHOWN.
- △2 LAST CIRCUIT IDENTIFIER, LOCATED APPROXIMATELY AS SHOWN.
- △3 MATERIAL PA66/6 UL94-V0. COLOR - BLACK
- △4 PRELIMINARY MATERIAL PA66 UL94-V0 GW. COLOR - NATURAL
- △5 MATERIAL ID ">PA<" LOCATED IN APPROX AREA SHOWN, APPROX 0.01 HIGH.
- △6 PRELIMINARY PART NUMBER NOT RELEASED FOR PRODUCTION



△4 △6	19	6	2-1445022-6
	16	5	2-1445022-5
OBSOLETE	13	4	2-1445022-4
△4 △6	10	3	2-1445022-3
	OBSOLETE	7	2
△3	37	12	1-1445022-2
	34	11	1-1445022-1
	31	10	1-1445022-0
	28	9	1445022-9
	25	8	1445022-8
	22	7	1445022-7
	19	6	1445022-6
	16	5	1445022-5
	13	4	1445022-4
	10	3	1445022-3
	7	2	1445022-2
REMARK	DIM A	NO OF POS.	PART NO.

THIS DRAWING IS A CONTROLLED DOCUMENT. DWN R. WHITAKER 14AUG2001  
 CHK C. JONES 14AUG2001  
 APVD C. JONES 14AUG2001

**STE** TE Connectivity

NAME: RECEPTACLE HOUSING, 2 TO 12 POSITION, SINGLE ROW, MICRO MATE-L-LOK (TM)

PRODUCT SPEC: 108-1836  
 APPLICATION SPEC: 114-13000

SIZE: A1 CAGE CODE: 100779 DRAWING NO: 1445022  
 WEIGHT: -

CUSTOMER DRAWING SCALE: 8:1 SHEET 1 OF 1 REV: D4

## X-ON Electronics

Largest Supplier of Electrical and Electronic Components

*Click to view similar products for [Pin & Socket Connectors](#) category:*

*Click to view products by [TE Connectivity](#) manufacturer:*

Other Similar products are found below :

[6450822-1](#) [770392-1](#) [794042-1](#) [796885-1](#) [8-794535-1](#) [PLR3455ACS-222](#) [R929991004](#) [R929993003](#) [1403611-1](#) [1-480349-5](#) [152302-5](#)  
[153211-2](#) [1586092-1](#) [1586129-1](#) [1586681-4](#) [1586700-1](#) [1586368-1](#) [1586380-1](#) [1586616-1](#) [1586680-5](#) [16-06-0038](#) [164164-5](#) [1-6609930-1](#)  
[172296-1](#) [19-09-2035](#) [200503-1](#) [200788-2](#) [2029090-4](#) [2029095-4](#) [925061-7](#) [293734-4](#) [293737-2](#) [1-765362-4](#) [1871534-1](#) [200833-4](#)  
[2008625-2](#) [2029027-2](#) [2029096-4](#) [R929991000](#) [R929991002](#) [R929993000](#) [319-10-101-00-005000](#) [319-10-102-00-001000](#) [319-10-104-00-001000](#) [319-10-105-00-001000](#) [319-10-108-00-001000](#) [319-10-112-00-006000](#) [39-01-8019](#) [319-10-101-00-001000](#) [319-10-102-00-005000](#)