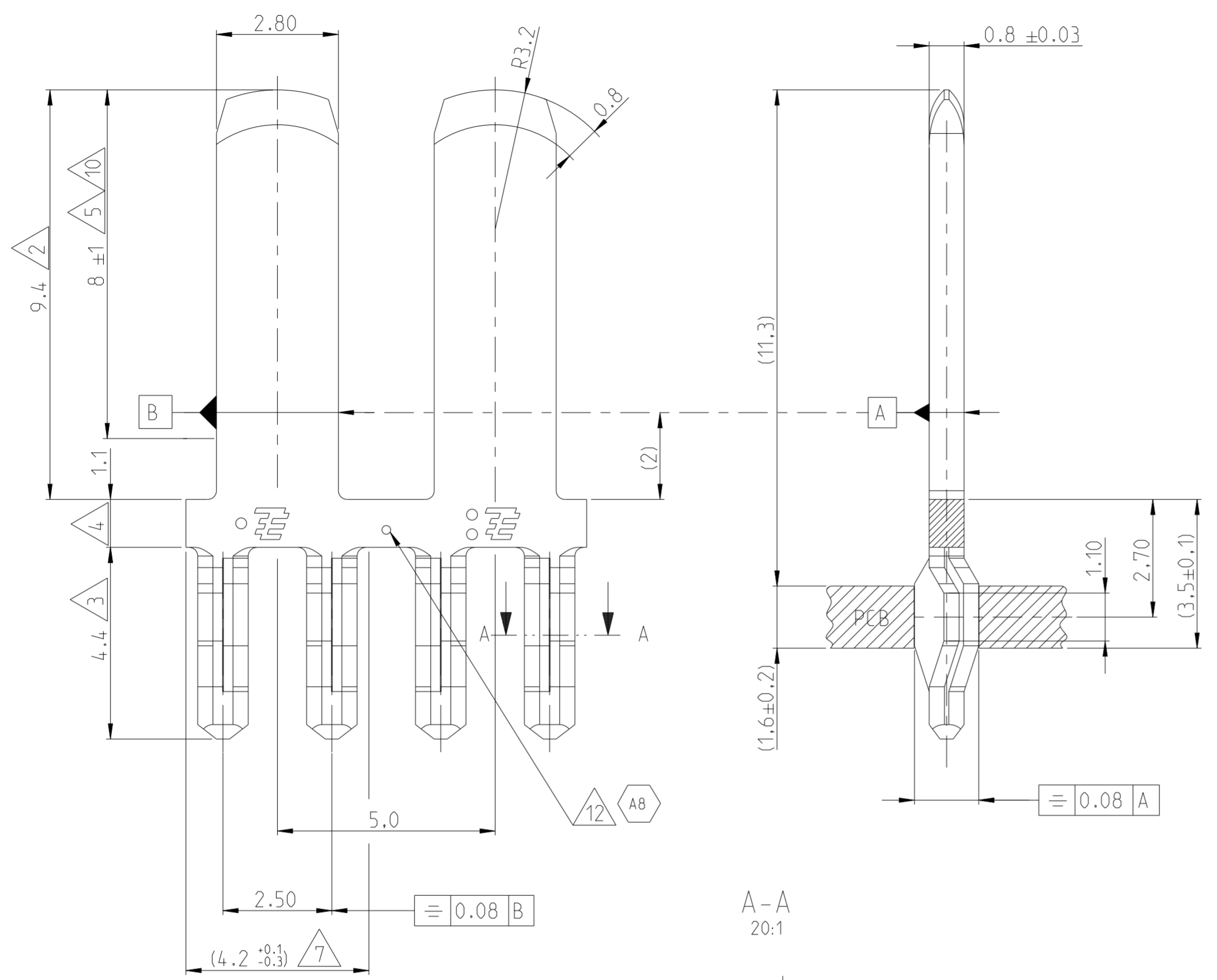
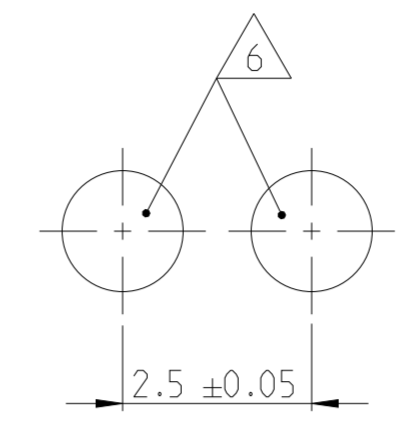


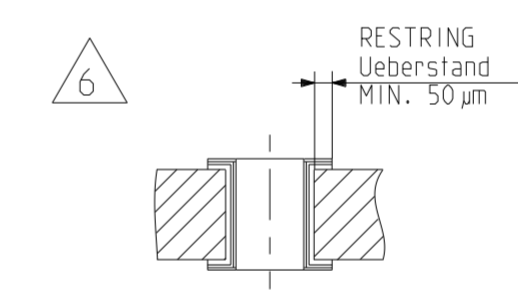
P	LTR	DESCRIPTION	DATE	DWN	APVD
A5		NOTE 12 ADDED	22MAR2021	RM	AN
A6		ECR-21-003841	31MAR2021	SK	AN
A7		ECR-21-004821	26APR2021	KG	PNI
A8		ECR-21-109980	16AUG2021	SK	AN

PCB LAYOUT  
LEITERPLATTEN-LAYOUT



Notes:  
Bemerkungen:

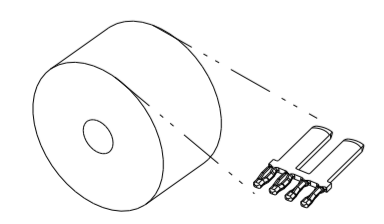
- 1 1.27-2.54 µm Ni OVER THE COMPLETE LENGH  
1.27-2,54 µm Ni ueber die gesamte Laenge
- 2 2-3 µm Sn
- 3 0.8-1.8 µm Sn
- 4 Sn
- 5 Min. 0.8 µm Au



PLATED THROUGH HOLE SPECIFICATION Spezifikation furr durchplatierte Bohrungen	
Cu THICKNESS Kupferschichtdicke	25-50 µm
Sn THICKNESS Zinn-Schichtdicke	4-15 µm
DRILLED HOLE Ø1.5 ±0.025 Bohrungs-Ø 1.5 ±0.025	FINISHED HOLE Ø1.29 +0.15 Platierter Loch-Ø 1.29 +0.15

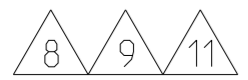
- 7 DIMENSION OF LOOSE PIESE  
Mass fuer Einzelteil
- 8 TO BE REELED ON PANCAKE REEL WITH INTERLEAVING PAPER  
Pappspulen mit Zwischenlagenpapier
- 9 TO BE REELED ON PLASTIC REEL WITH INTERLEAVING PAPER  
Kunststoffspulen mit Zwischenlagenpapier
- 10 3-5 µm Ag
- 11 TO BE REELED ON HARD FIBER REEL WITH INTERLEAVING PAPER  
Hartfaserspulen mit Zwischenlagenpapier
- A8 12 PUNCH MARK, BOTH SIDES (ONLY BY 3-1452688-1/-2)  
Koernerpunkt, beidseitig (nur bei 3-1452688-1/-2)

DIRECTION OFF TOP OF REEL



- 1-1452688-2
- 1-1452688-3
- 1-1452688-4
- 2-1452688-1
- 3-1452688-1
- 3-1452688-2

TE PART NO.	REV.	PUNCH MARK	MATERIAL	SURFACE	REEL PACKING
3-1452688-2	A	12	CuSn4	3 10 OVER 1 9	
3-1452688-1	A	12	CuSn4	3 10 OVER 1 8	
2-1452688-1	A		CuSn4	3 5 OVER 1 9	
1-1452688-4	A		CuSn4	2 3 4 OVER 1 11	
1-1452688-3	A		CuSn4	2 3 4 OVER 1 9	
1-1452688-2	A		CuSn4	2 3 4 OVER 1 8	



THIS DRAWING IS A CONTROLLED DOCUMENT.		DWN	13SEP2002	TE Connectivity	
DIMENSIONS: mm		CHK <td>13SEP2002 <td colspan="2">NAME</td> </td>	13SEP2002 <td colspan="2">NAME</td>	NAME	
TOLERANCES UNLESS OTHERWISE SPECIFIED: n. ISO 8015		APVD <td>114-18280 <td colspan="2">TAB 2.8x0.8 WITH ACTION PIN</td> </td>	114-18280 <td colspan="2">TAB 2.8x0.8 WITH ACTION PIN</td>	TAB 2.8x0.8 WITH ACTION PIN	
0-PLC ± 0.2		PRODUCT SPEC <td>108-18644 <td colspan="2">Flachstecker 2.8x0.8 mit Action Pin</td> </td>	108-18644 <td colspan="2">Flachstecker 2.8x0.8 mit Action Pin</td>	Flachstecker 2.8x0.8 mit Action Pin	
1-PLC ± 0.1		APPLICATION SPEC <td>114-18280 <td>SIZE</td> <td>CAGE CODE</td> </td>	114-18280 <td>SIZE</td> <td>CAGE CODE</td>	SIZE	CAGE CODE
2-PLC ± 0.1		WEIGHT	- <td>A2</td> <td>00779</td>	A2	00779
3-PLC ± 0.1		CUSTOMER DRAWING <td>SCALE 10:1</td> <td>DRAWING NO <td>RESTRICTED TO</td> </td>	SCALE 10:1	DRAWING NO <td>RESTRICTED TO</td>	RESTRICTED TO
4-PLC ± 0.1		SCALE <td>10:1</td> <td>©-1452688 <td>-</td> </td>	10:1	©-1452688 <td>-</td>	-
ANGLES ±		SHEET <td>1 OF 1</td> <td>REV <td>A8</td> </td>	1 OF 1	REV <td>A8</td>	A8
FINISH ±		REV <td></td> <td></td> <td></td>			

## X-ON Electronics

Largest Supplier of Electrical and Electronic Components

*Click to view similar products for [Automotive Connectors](#) category:*

*Click to view products by [TE Connectivity](#) manufacturer:*

Other Similar products are found below :

[003-018-000](#) [60403001](#) [60993906-B](#) [M902-2131](#) [M902-2161](#) [72.330.1035.1](#) [73.353.4028.0](#) [F119300-B](#) [F166900](#) [F258300-B](#) [F358300-B](#)  
[F407400](#) [F444110](#) [F487000](#) [F509500B-B](#) [827153-1](#) [8N1515-32-24P](#) [9-1326729-8](#) [925474-1](#) [928905-1](#) [964562-4](#) [968782-1](#) [GT17SA-8DS-](#)  
[HU](#) [98891-1012](#) [98947-1016](#) [12004147](#) [12004475-L](#) [12010290](#) [12010309-B](#) [12015454](#) [12020219-B](#) [12020308](#) [12041318-B](#) [12052225-L](#)  
[12052466](#) [12059125](#) [12064869](#) [12004327-B](#) [12010503-B](#) [12015308](#) [12015384](#) [12015909](#) [1-21030-1](#) [12041254](#) [12041318](#) [12047946-B](#)  
[12047957](#) [12047957-L](#) [12059473](#) [12066261](#)