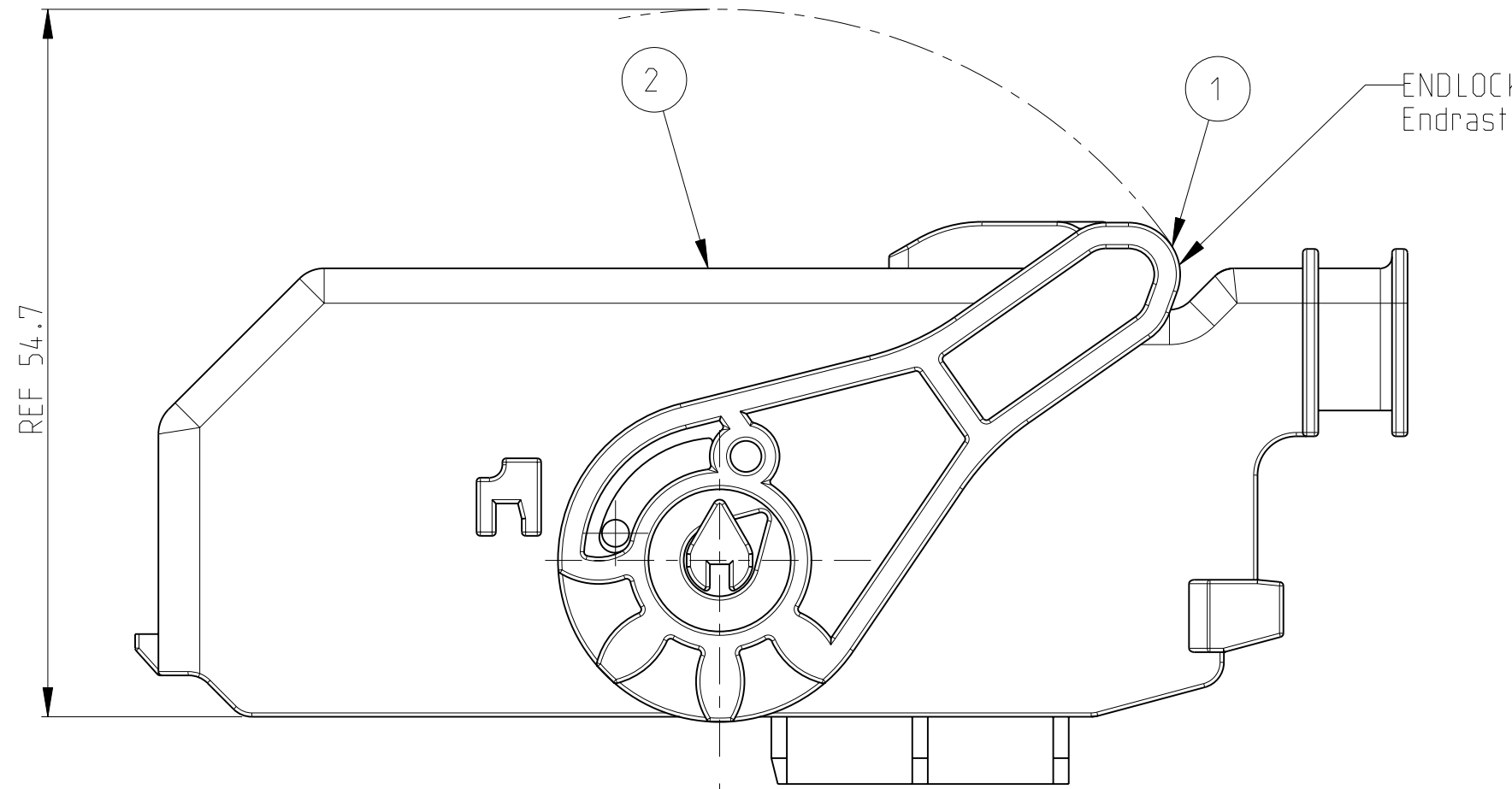
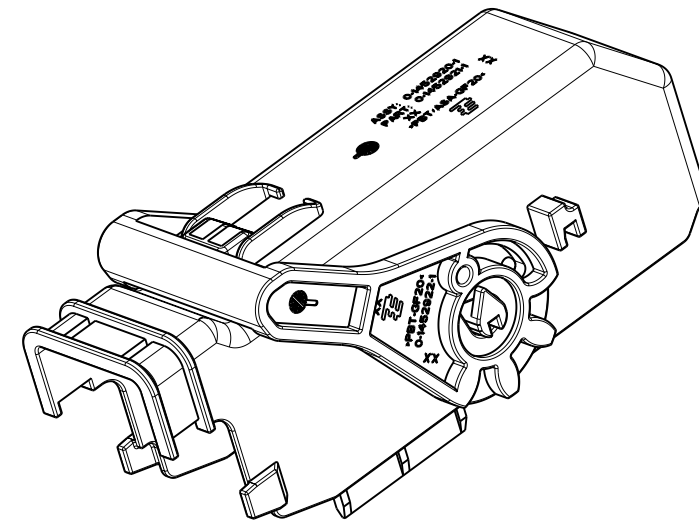


THIS DRAWING IS UNPUBLISHED. RELEASED FOR PUBLICATION 2003
 © COPYRIGHT 2003 BY TYCO ELECTRONICS CORPORATION. ALL RIGHTS RESERVED.

LOC		DIST		REVISIONS			
P	LTR	DESCRIPTION	DATE	DWN	APVD		
F		ECR-08-022164	03SEP2008	GP	GM		
F1		ECR-10-005202	11MAR2010	GP	GM		

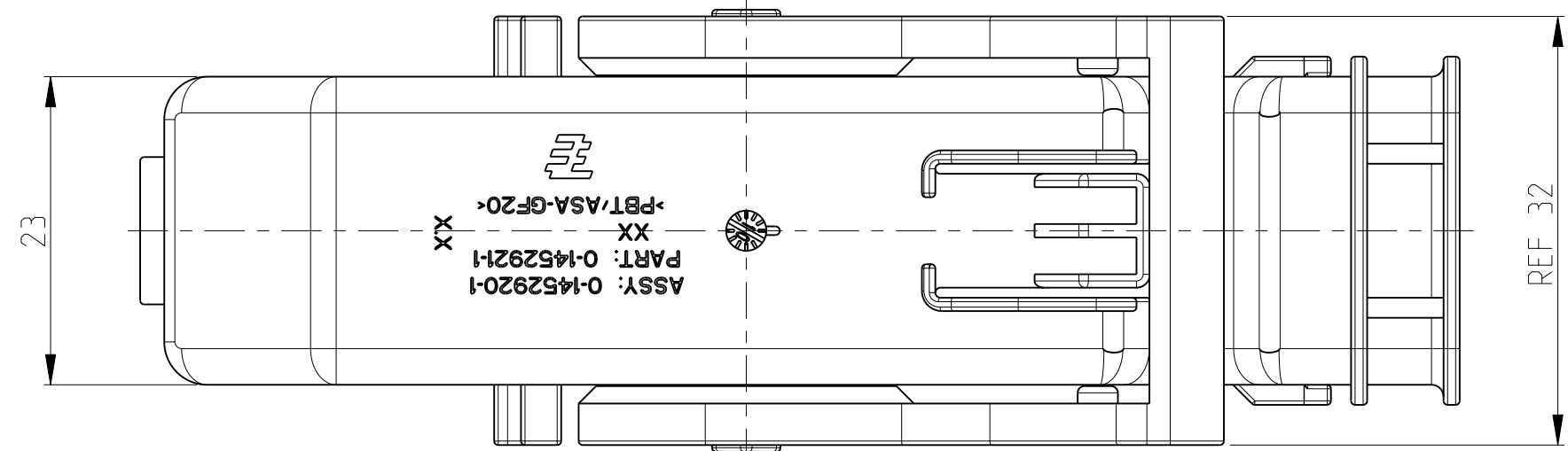


ENDLOCKED POSITION
Endraststellung

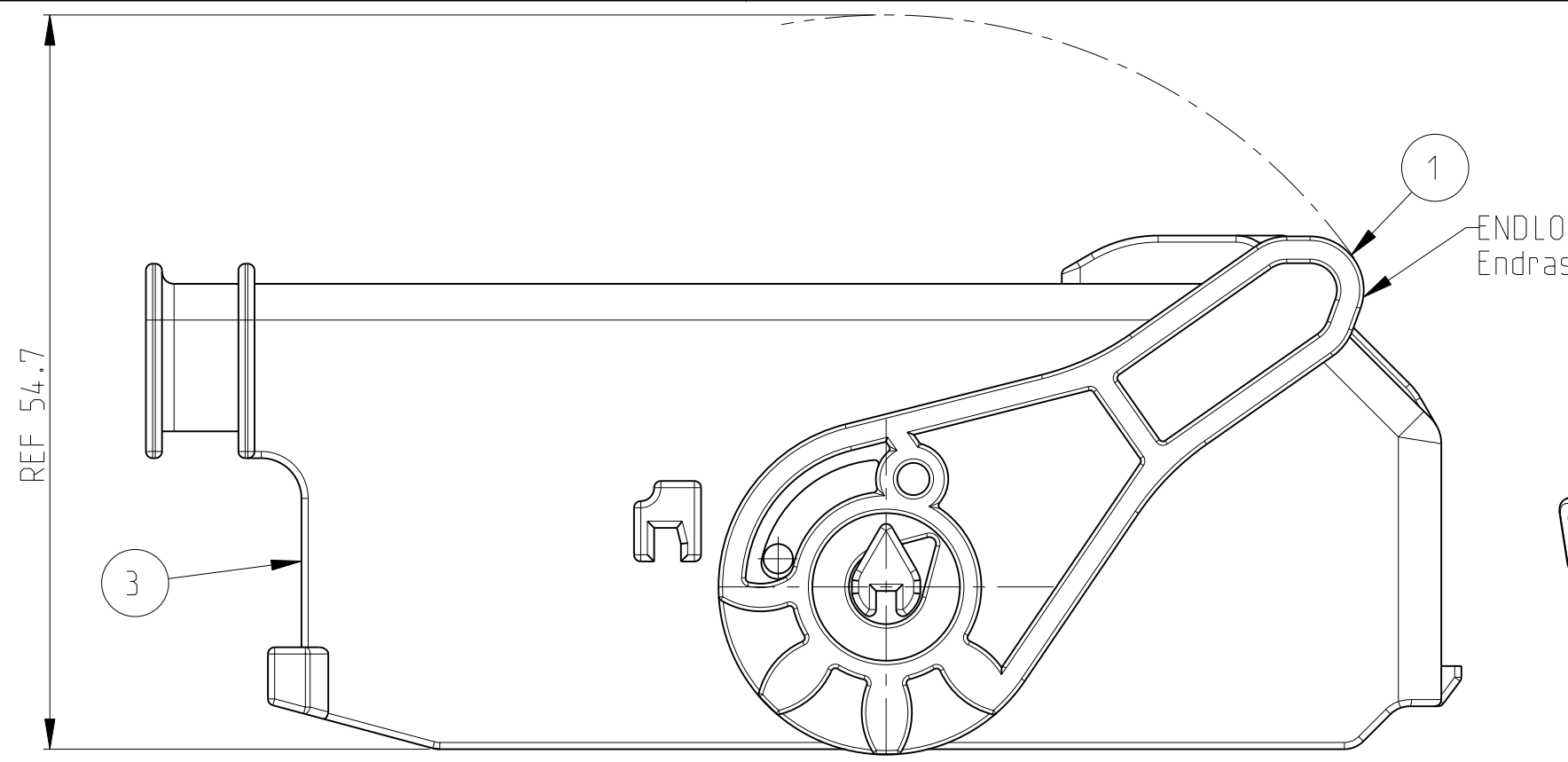


1:1

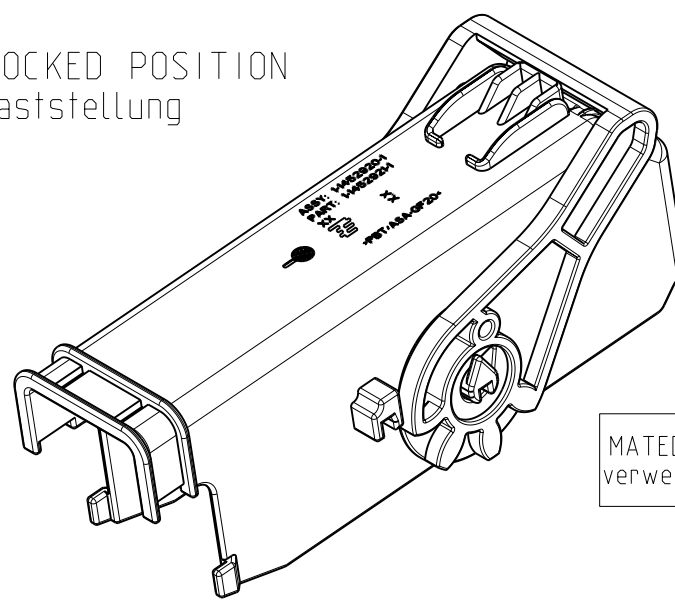
0-1452920-1
COVER FOR HARNESS ROUTING TO THE POWER-TERMINAL SIDE
 Kabelabgang in Richtung Power-Kontakte



NOTES:
Bemerkungen:
1 DELIVERY CONDITION: LEVER IN ENDOCK POSITION
Auslieferungszustand: Hebel in Endraststellung



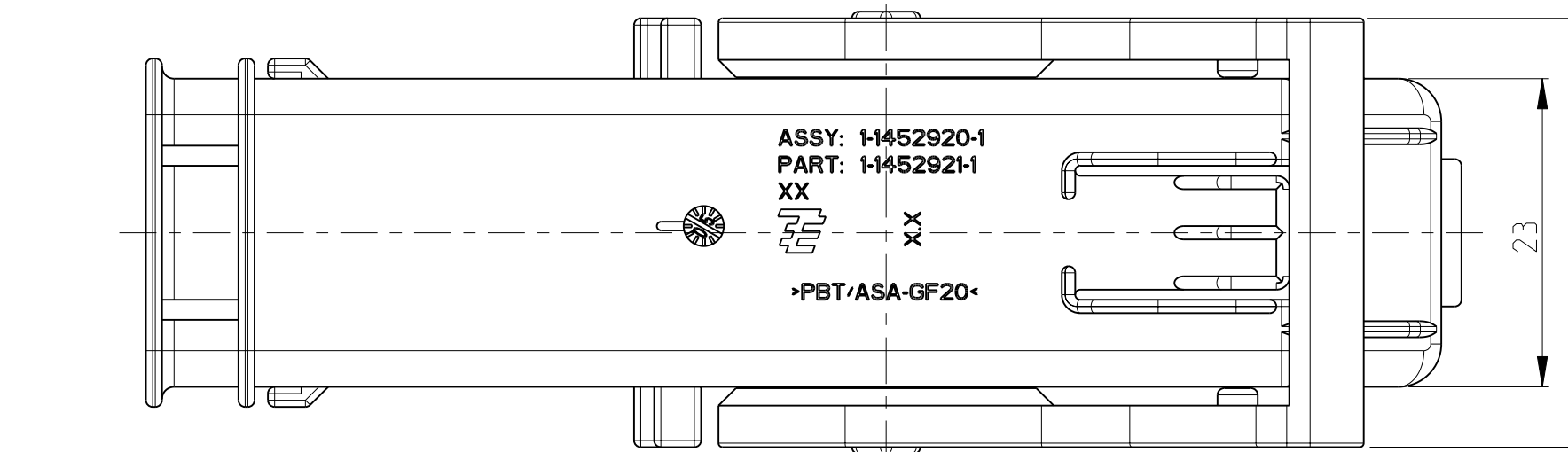
ENDLOCKED POSITION
Endraststellung



1:1

1-1452920-1
COVER FOR HARNESS ROUTING TO THE SIGNAL-TERMINAL SIDE
 Kabelabgang in Richtung Signal-Kontakte

MATED WITH verwendet mit	0-1452915-2	0-1452915-2					
1x			1-1452921-1	30 POS. COVER	PBT/ASA-GF20	BLACK	3
		1x	0-1452921-1	30 POS. COVER	PBT/ASA-GF20	BLACK	2
1x		1x	0-1452922-1	30 POS. LEVER	PBT-GF20	RED	1
1-1452920-1	0-1452920-1		PART NO	DESCRIPTION	MATERIAL	COLOUR	ITEM NO
C	D		REVISION OF EACH ASSY NO (WHEN BLANK, USE DWG REVISION)				
-	-		WEIGHT OF EACH ASSY NO (g)				
PARTS LIST							



THIS DRAWING IS A CONTROLLED DOCUMENT FOR TYCO ELECTRONICS CORPORATION IT IS SUBJECT TO CHANGE AND THE CONTROLLING ENGINEERING ORGANIZATION SHOULD BE CONTACTED FOR THE LATEST REVISION.		DWN G.PUCKEL 20FEB2004	Tyco Electronics AMP GmbH D - 64625 Bensheim	
DIMENSIONS: mm		CHK K.ROTH 20FEB2004	NAME 30POS. CONNECTOR COVER ASSY	
TOLERANCES UNLESS OTHERWISE SPECIFIED: 0 PLC ±0.5 1 PLC ±0.5 2 PLC ±0.5 3 PLC ± 4 PLC ± ANGLES ±°		APVD G.MUMPER 20FEB2004	RESTRICTED TO	
MATERIAL FINISH		PRODUCT SPEC	SIZE A2	CAGE CODE 00779
		APPLICATION SPEC	DRAWING NO C-1452920	REV F1
		WEIGHT	SCALE 2:1	
		CUSTOMER DRAWING	SHEET 1 OF 1	

X-ON Electronics

Largest Supplier of Electrical and Electronic Components

Click to view similar products for [Automotive Connectors](#) category:

Click to view products by [TE Connectivity](#) manufacturer:

Other Similar products are found below :

[003-018-000](#) [60993906-B](#) [M902-2131](#) [M902-2161](#) [M902-2344](#) [72.330.1035.1](#) [73.353.4028.0](#) [F166900](#) [F358300-B](#) [F407400](#) [776880-1](#)
[827153-1](#) [8N1515-32-24P](#) [9-1326729-8](#) [925474-1](#) [928905-1](#) [964562-4](#) [968782-1](#) [98891-1012](#) [12004475-L](#) [12020308](#) [12041318-B](#)
[12052466](#) [12064869](#) [12015909](#) [1-21030-1](#) [12041254](#) [12041318](#) [12047946-B](#) [12110546-B](#) [12131792](#) [12084688](#) [12092346](#) [HD34-18-14PT](#)
[HDB36-24-16PN-059](#) [HDP26-24-9SE-L015](#) [12185280](#) [12185550](#) [12336-12](#) [12191172-B](#) [12S](#) [13577943](#) [13681974](#) [13737722-B](#) [13830674](#)
[13832576](#) [13849772](#) [13542772](#) [13589871-B](#) [13595623](#)