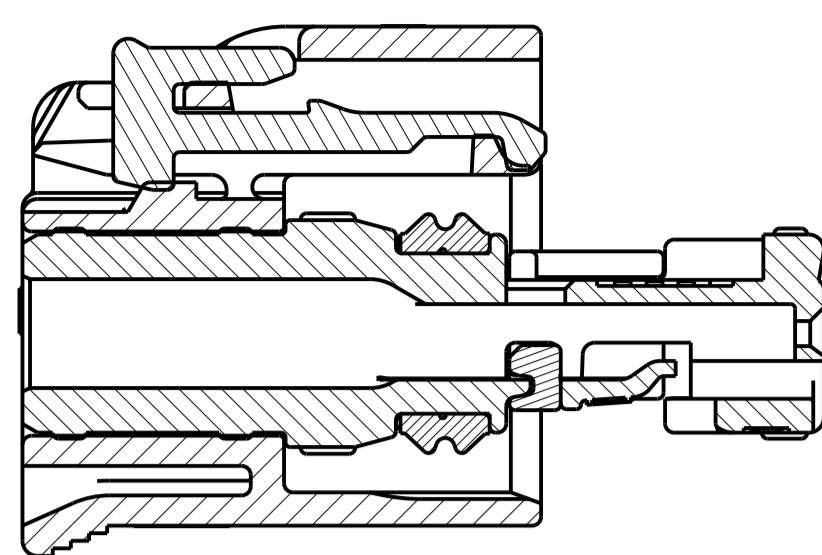
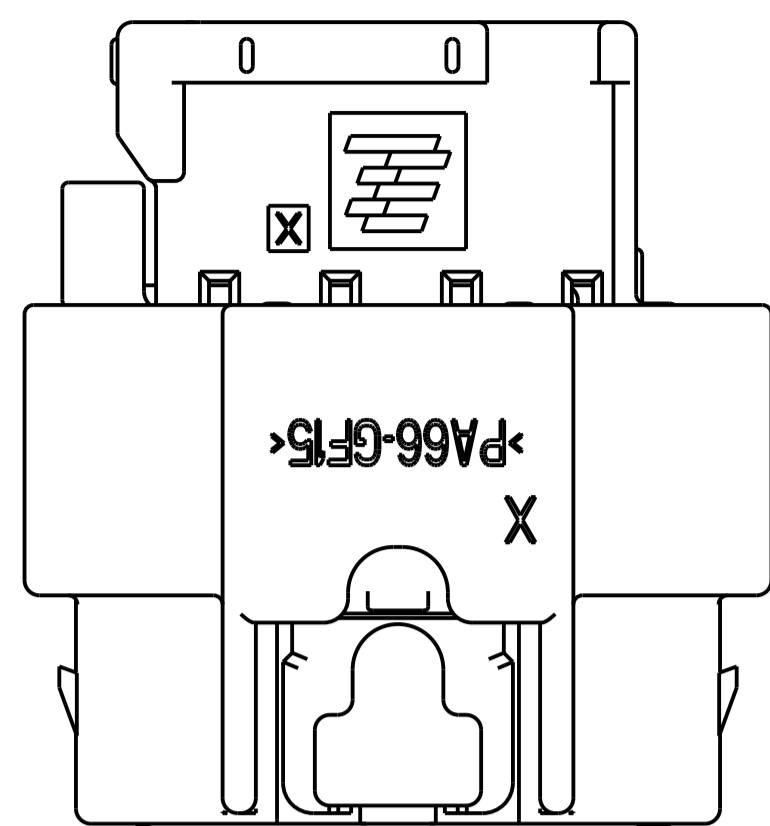
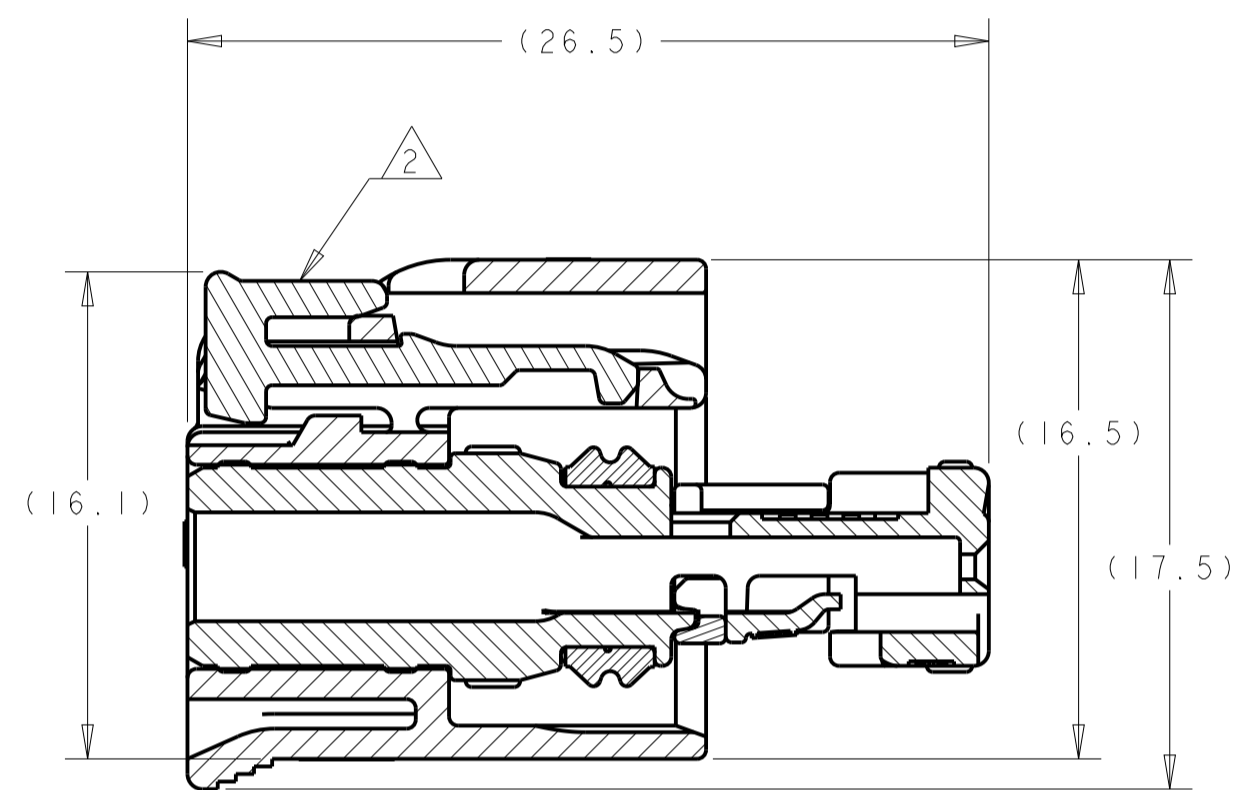


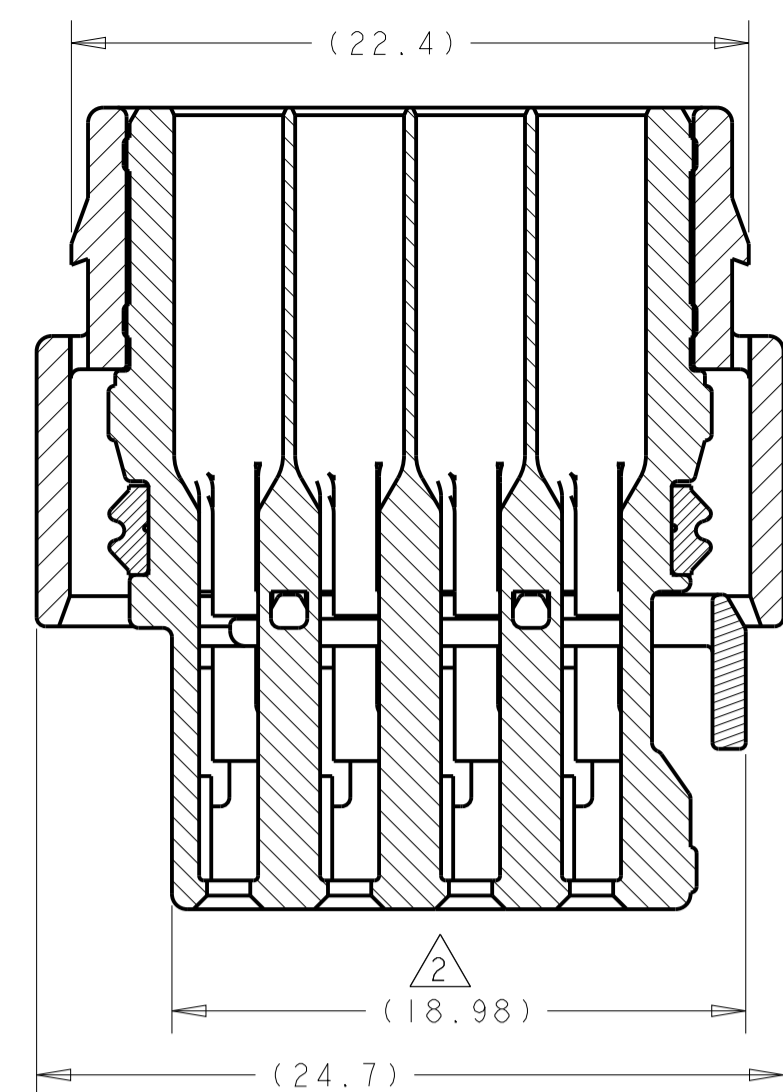
ISOMETRIC VIEWS
SCALE 3:1



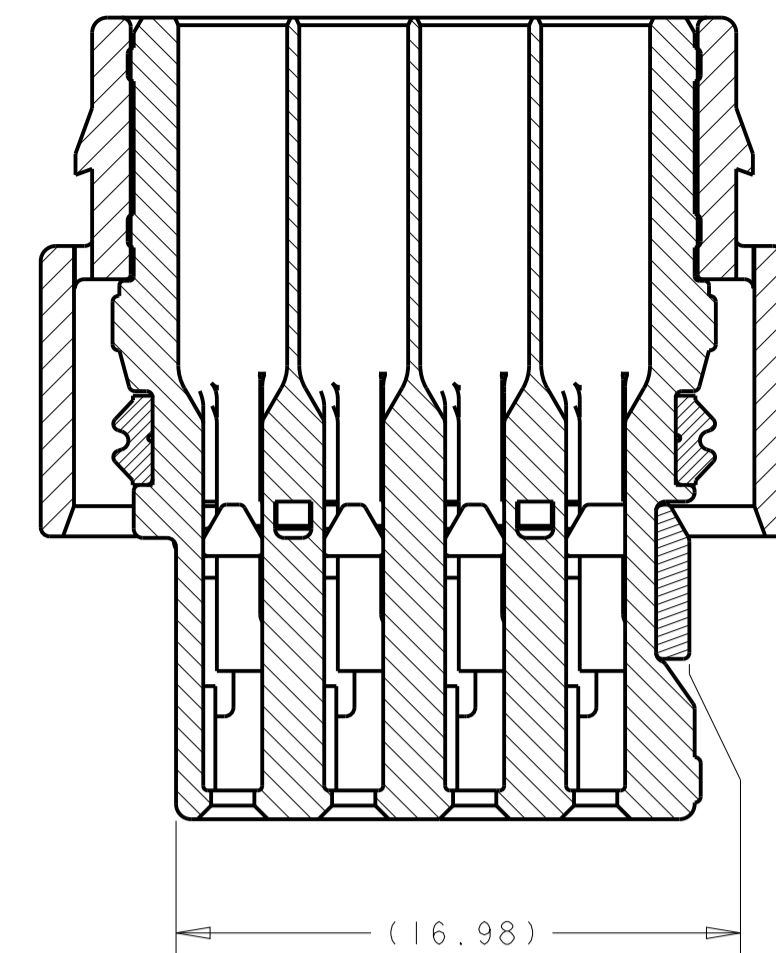
SECTION B-B
SHOWN WITH CPA (WHEN APPLICABLE)
IN IT'S LATCHED POSITION
FOR REFERENCE ONLY



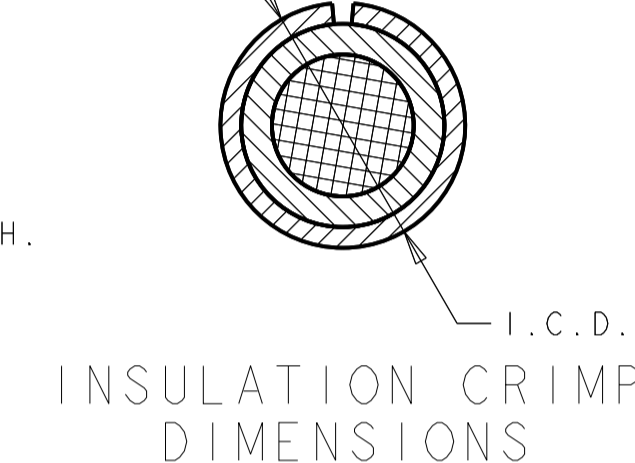
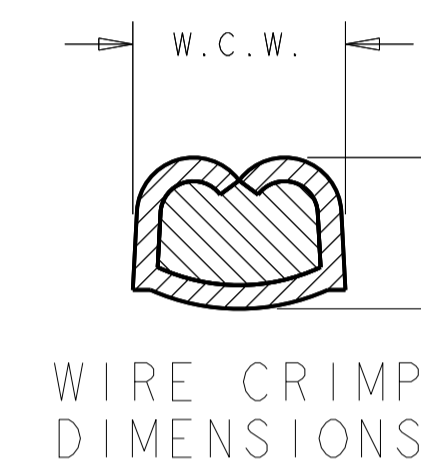
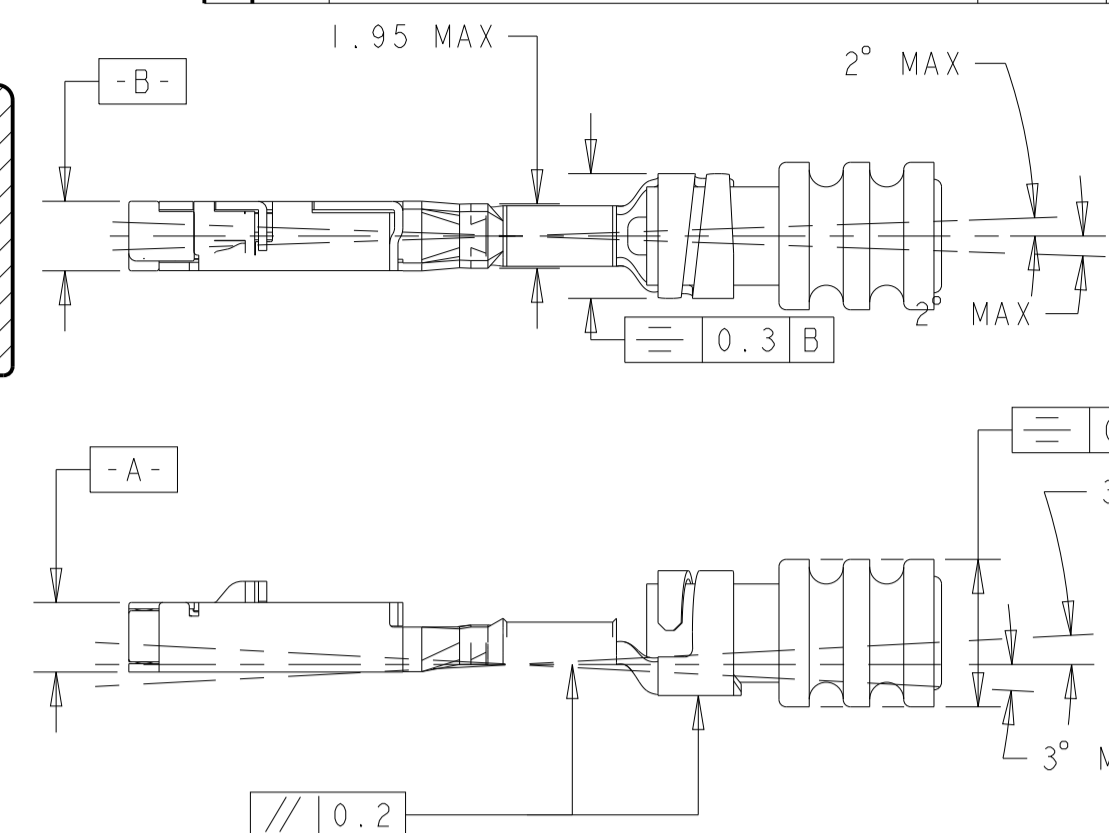
SECTION B-B



SECTION A-A

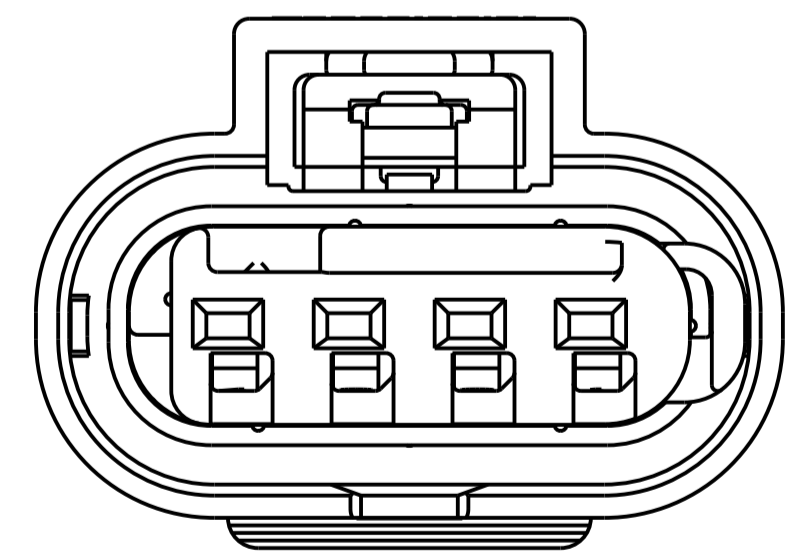


SECTION A-A
SHOWN WITH TPA
IN IT'S LATCHED POSITION
FOR REFERENCE ONLY

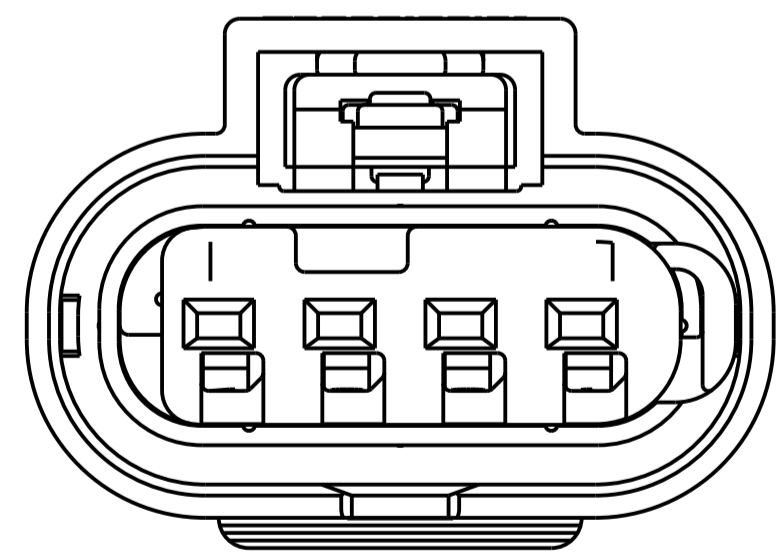


MAX TEMP	FEMALE TERMINAL PN	TERMINAL PLATING	AWG	APPLICABLE WIRE FINISHED O.D.	W.C.H.	W.C.W.	I.C.D.	WIRE SEAL PART NUMBER
125C	1670146-1	TIN	20	1.40 - 1.90mm	0.84 ±0.03	1.57 ±0.05	3.25 ±0.05	967067-1
125C	1670146-2	GOLD	20	1.40 - 1.90mm	0.84 ±0.03	1.57 ±0.05	3.25 ±0.05	967067-1
125C	1670146-3	SILVER	20	1.40 - 1.90mm	0.84 ±0.03	1.57 ±0.05	3.25 ±0.05	967067-1
125C	1418850-1	TIN	18	1.90 - 2.40mm	1.11 ±0.05	1.78 ±0.05	3.35 ±0.05	964972-1
125C	1418850-2	GOLD	18	1.90 - 2.40mm	1.11 ±0.05	1.78 ±0.05	3.35 ±0.05	964972-1
125C	1418850-3	SILVER	18	1.90 - 2.40mm	1.11 ±0.05	1.78 ±0.05	3.35 ±0.05	964972-1
150C	1670146-2	GOLD	20	1.40 - 1.90mm	0.84 ±0.03	1.57 ±0.05		2098582-1
150C	1670146-3	SILVER	20	1.40 - 1.90mm	0.84 ±0.03	1.57 ±0.05		2098582-1
150C	1418850-2	GOLD	18	1.40 - 1.90mm	1.11 ±0.05	1.78 ±0.05		2098582-1
150C	1418850-3	SILVER	18	1.40 - 1.90mm	1.11 ±0.05	1.78 ±0.05		2098582-1
150C	1418850-3	SILVER	16	1.40 - 1.90mm	1.31 ±0.05	1.78 ±0.05		2098582-1

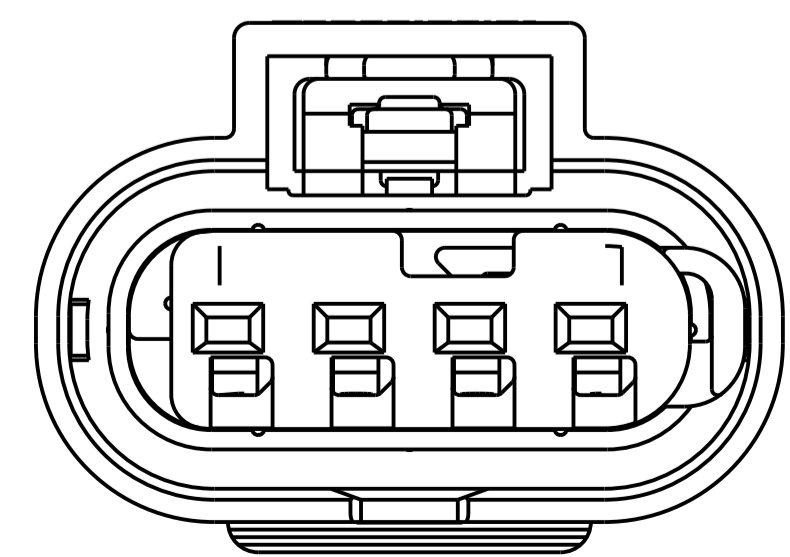
KEYING CONFIGURATIONS



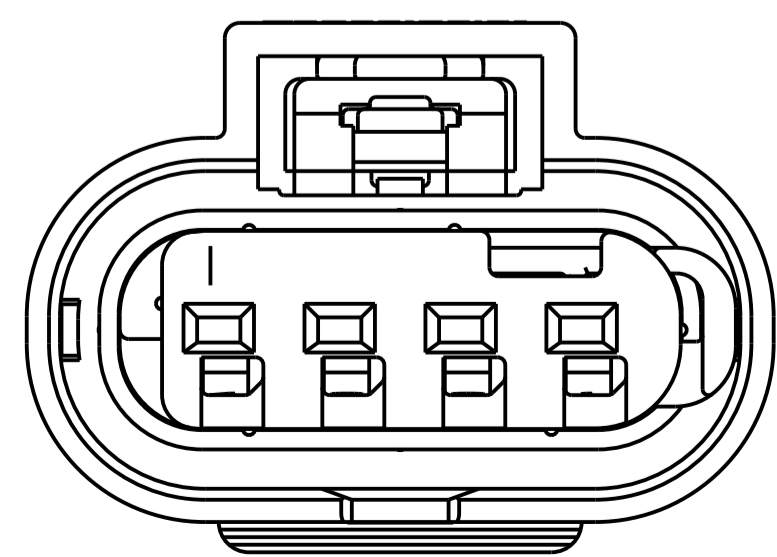
KEYING OPTION A



KEYING OPTION B



KEYING OPTION C



KEYING OPTION D

- PART NUMBER 1-1456426-5 SHOWN ON DRAWING.
- TPA AND CPA (WHEN APPLICABLE) ARE SHIPPED IN THEIR PRE-LATCHED POSITIONS. SEE INSTRUCTION SHEET 408-8968 FOR DIRECTIONS ON MOVING THE CPA AND TPA TO THE PRE-LATCHED POSITION, IF NECESSARY.
- TERMINALS SOLD SEPARATELY. FOR USE WITH TE MCON 1.2mm CLEAN BODY CONTACT WITH WIRE SEAL. SEE TE MCON 1.2-CB (CLEAN BODY) TABLE FOR APPLICABLE PART NUMBERS.
- APPLICABLE HEADER INTERFACE DRAWING 114-18679-3 IS AVAILABLE UPON REQUEST. A COPY OF THIS DRAWING CAN BE OBTAINED FROM THE TE CONNECTIVITY PRODUCT MANAGER, VIA YOUR TE CONNECTIVITY SALES REPRESENTATIVE OR CUSTOMER SERVICE.
- MINIMUM FEED THROUGH CONDITION WITH 1.0mm CLEARANCE ALL AROUND.
- NOTE LEFT BLANK INTENTIONALLY
- TRACEABILITY CODE (YY = TWO DIGIT YEAR, JJJ = 3 DIGIT JULIAN DAY, S = 1 DIGIT SHIFT) AND TE ASSEMBLY PART NUMBER PRINTED IN THIS LOCATION AT ASSEMBLY.
- FOR OPTIONAL TERMINAL CAVITY BLOCKING, USE TE CONNECTIVITY BLIND PLUG PART NUMBER 967056-1 FOR 125°C MAX TEMPERATURE.
- PROTOTYPE CONFIGURATION NOT SHOWN.
- PROTOTYPE ASSEMBLIES USE GERMAN OUTER HOUSING P/N: 1718657-1, CPA P/N: 1670193-1 AND SEAL P/N: 1718659-1.
- TPA ENGAGE FORCE: PRESET TO FULL >= 2 N AND <= 60 N.
- TPA DISENGAGE FORCE: DISENGAGE FROM FULL TO PRESET >= 2 N AND <= 60 N
- CPA ENGAGE FORCE: PRESET TO FULL WITHOUT CONNECTORS MATED >= 40 N.
- CPA ENGAGE FORCE: PRESET TO FULL WITH CONNECTORS MATED <30 N.
- POLARIZATION FEATURE EFFECTIVENESS:
CONNECTOR MATED TURNED 180° NO MATING > 125 N.
WRONG KEYING NO MATING > 125 N.
- VALIDATED UP TO:
USCAR-2 TEMPERATURE CLASS IV (150°C) WHEN USED AS A DIRECT CONNECT.
USCAR-2 TEMPERATURE CLASS III (125°C) WHEN USED AS AN INLINE APPLICATION.
- SEE INSTRUCTION SHEET 408-8928.
- ICD IS DEPENDENT UPON WIRE INSULATION TYPE AND OD. MUST BE SUFFICIENT TO GRIP SEAL SO IT DOES NOT SLIDE OUT OF INSULATION CRIMP WHEN INSERTING INTO CONNECTOR CAVITY BUT NOT TEAR THE SEAL.
- REFERENCE ISOMETRIC VIEWS ON SHEET 2.

RELEASED	2138907-1	GRAY	D	4-1456426-4
RELEASED	2138907-1	BLUE	C	4-1456426-3
RELEASED	2138907-1	NATURAL/BROWN	B	4-1456426-2
RELEASED	2138907-1	BLACK	A	4-1456426-1
RELEASED	1488787-1	GRAY	D	1-1456426-8
RELEASED	1488787-1	BLUE	C	1-1456426-7
RELEASED	1488787-1	NATURAL/BROWN	B	1-1456426-6
RELEASED	1488787-1	BLACK	A	1-1456426-5
RELEASED	N/A	GRAY	D	1-1456426-4
RELEASED	N/A	BLUE	C	1-1456426-3
RELEASED	N/A	NATURAL/BROWN	B	1-1456426-2
RELEASED	N/A	BLACK	A	1-1456426-1

STATUS	CPA	COLOR	KEY	PART NUMBER
				1456426-0
				1456426-7
				1456426-6
				1456426-5
				1456426-4
				1456426-3
				1456426-2
				1456426-1

THIS DRAWING IS A CONTROLLED DOCUMENT.

DIMENSIONS:	TOLERANCES UNLESS OTHERWISE SPECIFIED:	OWN: FORISKA 25SEP2006	CHK: G. MARTIN 25SEP2006	APVD: G. MARTIN 25SEP2006	NAME: CONNECTOR ASSEMBLY, FEMALE, 4 POSITION SEALED, 1.2mm STANDARD LATCH VERSION
mm	0 PLC ±0.3 1 PLC ±0.10 2 PLC ±0.15 3 PLC ±0.20 4 PLC ±0.25	PRODUCT SPEC	APPLICATION SPEC	SIZE: CAGE CODE DRAWING NO	RESTRICTED TO
MATERIAL	FINISH	WEIGHT	4.3gms	SCALE	4:1
SEE TABLE		CUSTOMER DRAWING		SHEET	1 OF 2

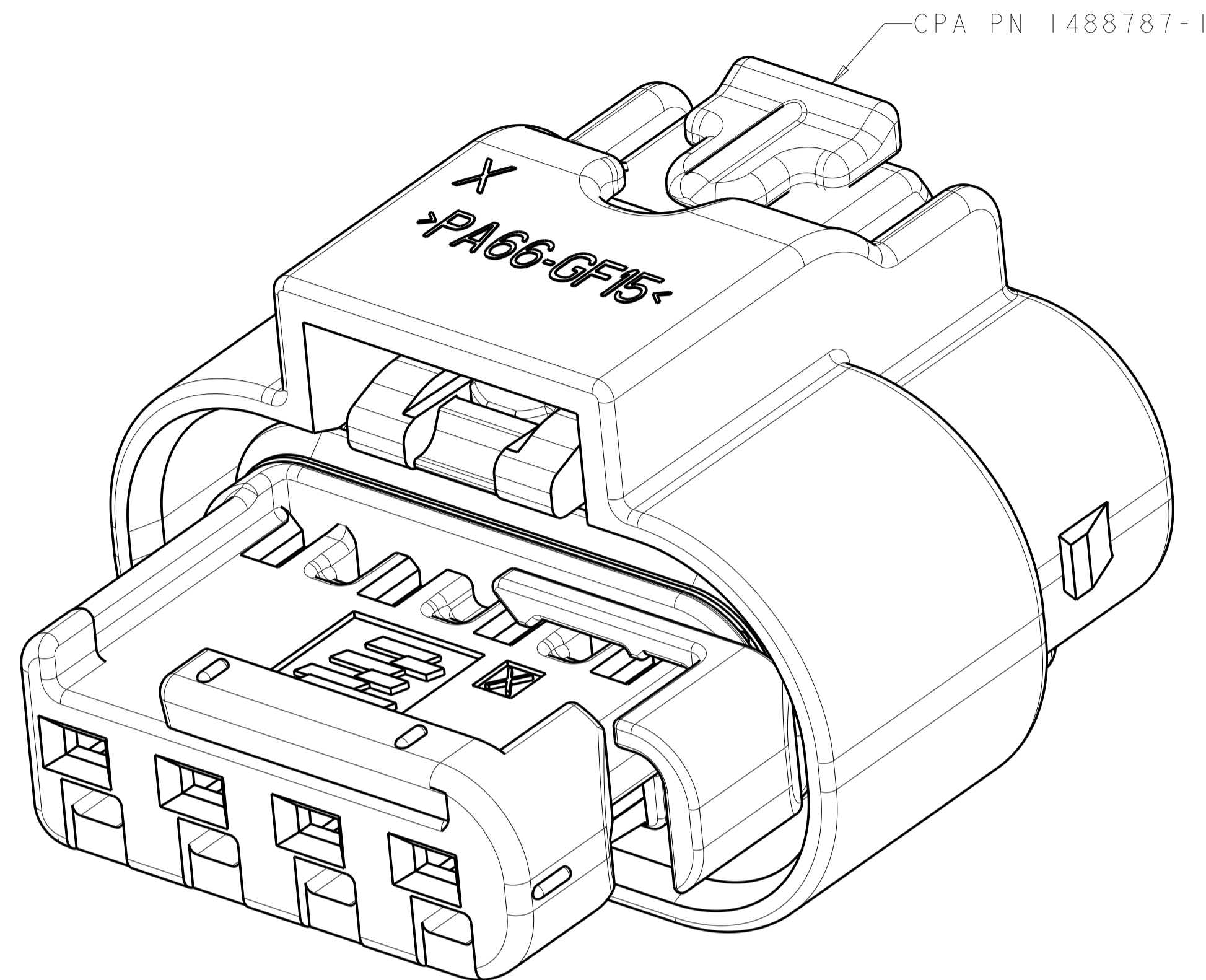
TE Connectivity

100779C=1456426

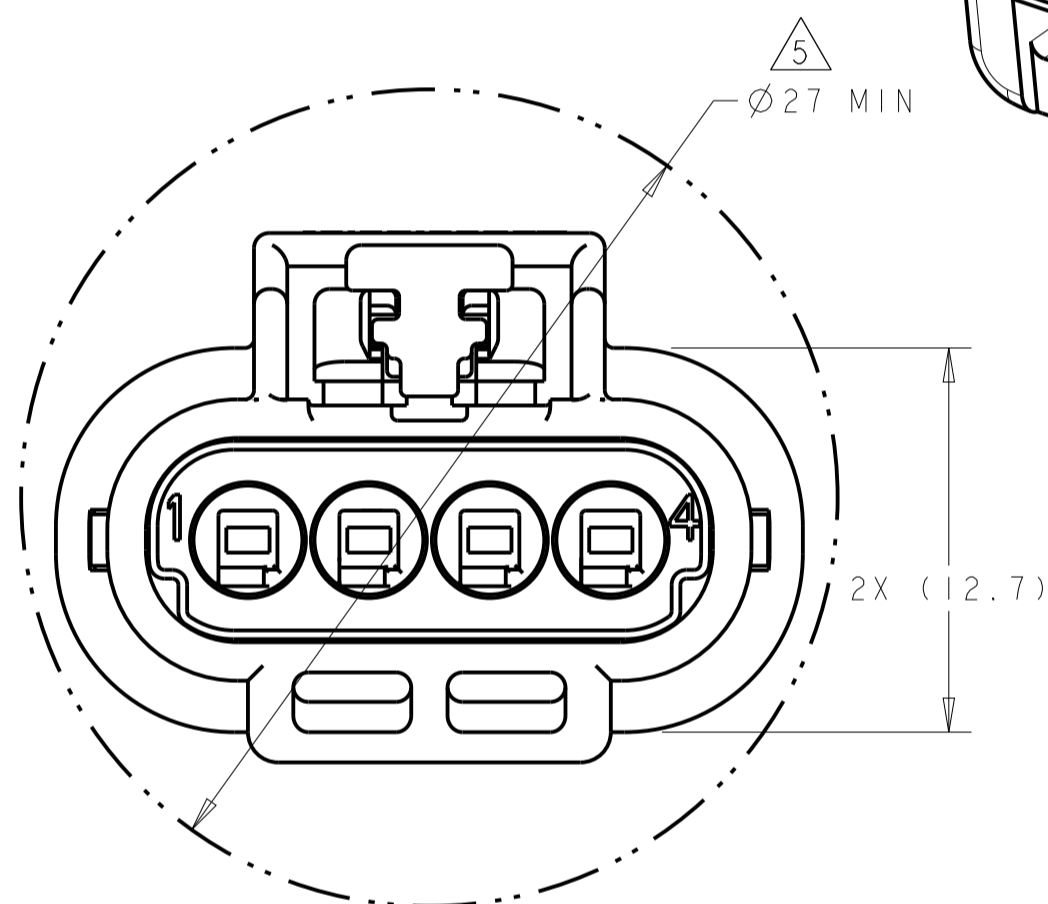
REV B6

REVISIONS				
P.	LTR.	DESCRIPTION	DATE	APVD.
-	-	SEE SHEET 1	-	-

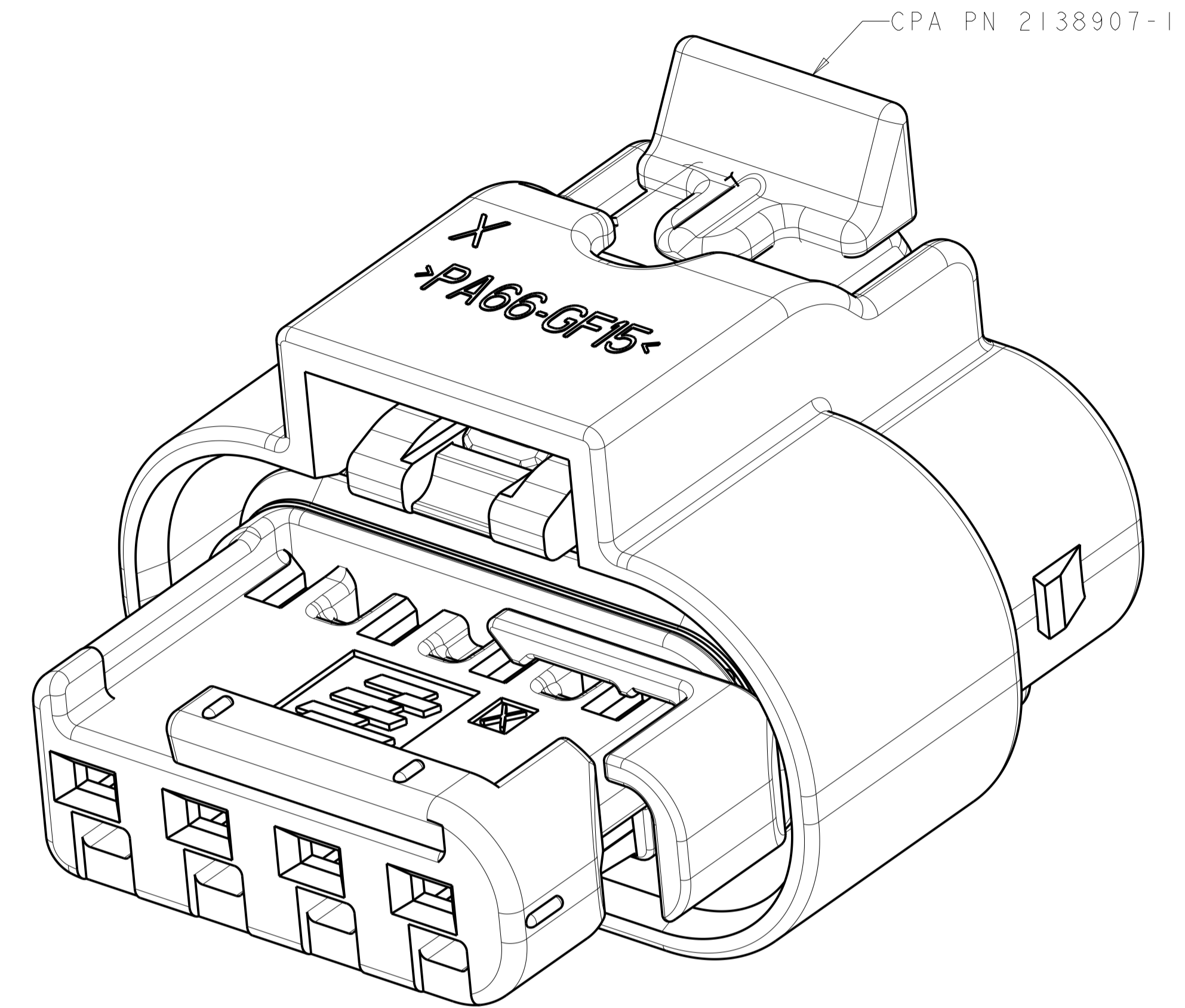
ISOMETRIC VIEWS



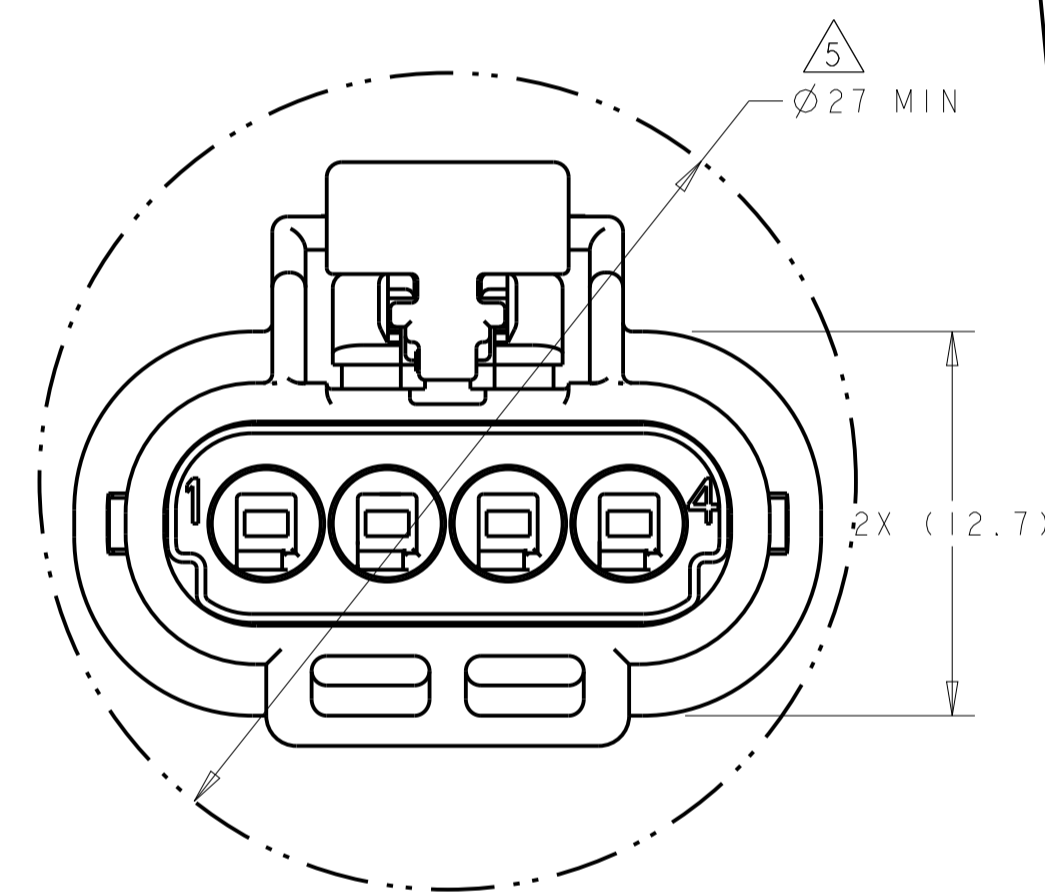
PN 1-1456426-5 SHOWN
SCALE 8:1



FEED THROUGH CONDITION



PN 4-1456426-1 SHOWN
SCALE 8:1



FEED THROUGH CONDITION

THIS DRAWING IS A CONTROLLED DOCUMENT.		DWN: M. FORLSKA 25SEP2006 CHK: G. MARTIN 25SEP2006 APVD: G. MARTIN 25SEP2006	
DIMENSIONS: mm 	TOLERANCES UNLESS OTHERWISE SPECIFIED: 0 PLC ± 1 PLC ±0.3 2 PLC ±0.10 3 PLC ± 4 PLC ± ANGLES ±1°	NAME: CONNECTOR ASSEMBLY, FEMALE, 4 POSITION SEALED, 1.2mm STANDARD LATCH VERSION SIZE: A 00779 C=1456426 WEIGHT: 4.3gms CUSTOMER DRAWING	
MATERIAL: SEE TABLE	FINISH: -	SCALE: 4:1	SHEET 2 OF 2 REV B6

X-ON Electronics

Largest Supplier of Electrical and Electronic Components

Click to view similar products for [Automotive Connectors](#) category:

Click to view products by [TE Connectivity](#) manufacturer:

Other Similar products are found below :

[003-018-000](#) [60403001](#) [60993906-B](#) [M902-2131](#) [M902-2161](#) [M902-2344](#) [72.330.1035.1](#) [73.353.4028.0](#) [F119300-B](#) [F166900](#) [F258300-B](#)
[F358300-B](#) [F407400](#) [F444110](#) [F487000](#) [F509500B-B](#) [827153-1](#) [8N1515-32-24P](#) [9-1326729-8](#) [925474-1](#) [928905-1](#) [964562-4](#) [968782-1](#)
[GT17SA-8DS-HU](#) [98891-1012](#) [98947-1016](#) [12004147](#) [12004475-L](#) [12010290](#) [12010309-B](#) [12015454](#) [12020219-B](#) [12041318-B](#) [12052225-](#)
[L](#) [12052466](#) [12064869](#) [12004327-B](#) [12015308](#) [12015384](#) [12015909](#) [1-21030-1](#) [12041254](#) [12041318](#) [12047946-B](#) [12047957](#) [12047957-L](#)
[12059473](#) [12066261](#) [12110546](#) [12110546-B](#)