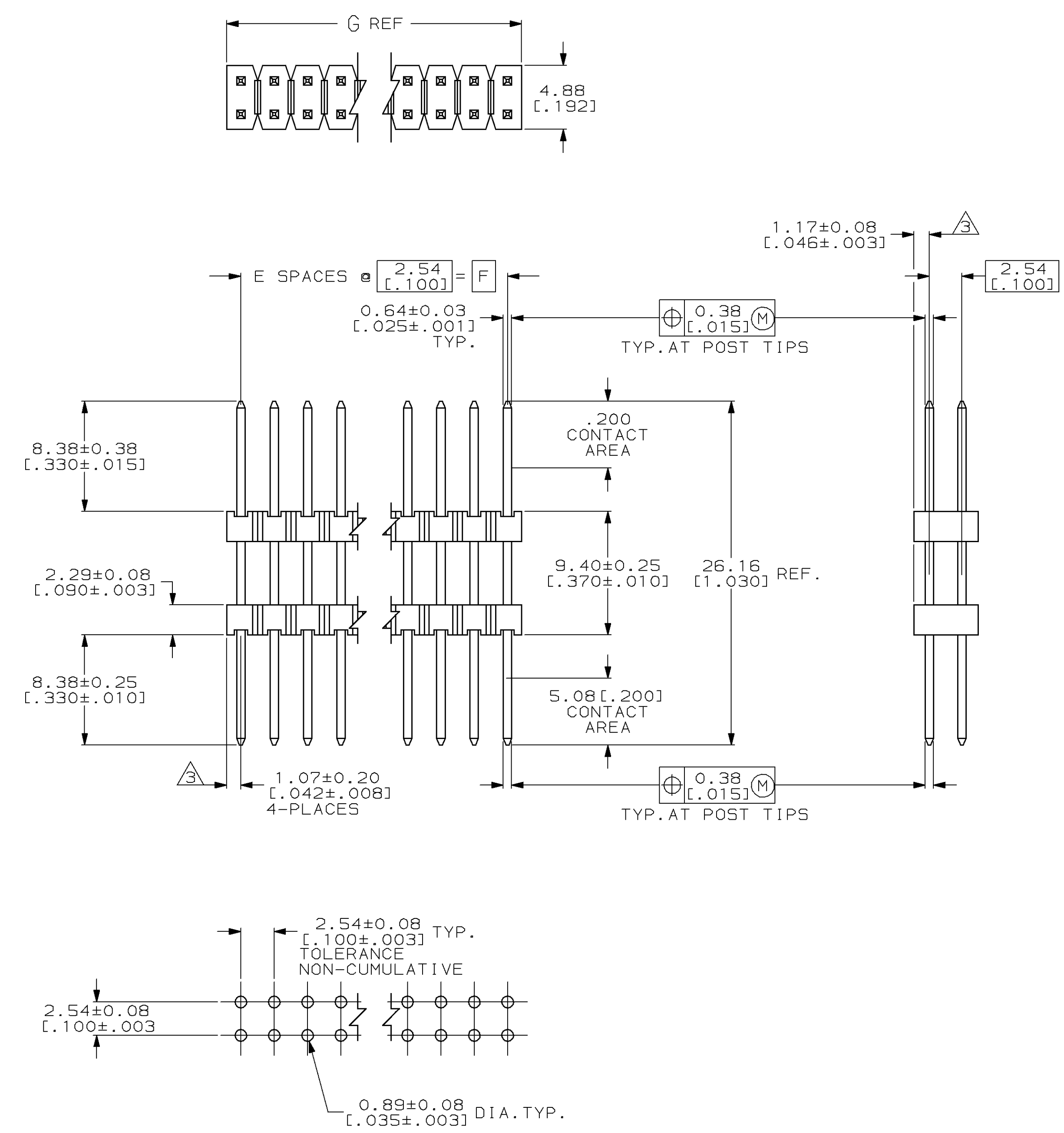
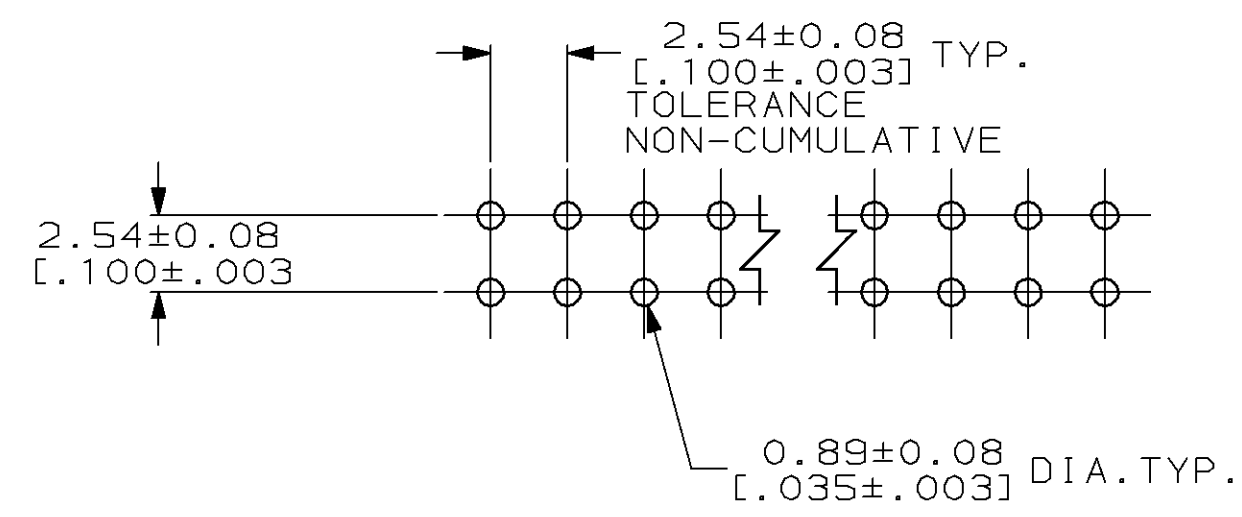


REVISONS		DATE	OWN	APVD
NO.	DESCRIPTION			
0	RELEASED	12-NOV-96	EB	GD

- ASSEMBLY MAY BE BROKEN TO THE DESIRED NUMBER OF POSITIONS
 - TRUE POSITION TOLERANCE OF THE POST TIPS APPLIES WHEN THE HEADER IS HELD FLAT AGAINST THE PRINTED CIRCUIT BOARD
- △ THE NOTED DIMENSIONS APPLY AT THE INTERSECTION OF THE POST AND HOUSING
- △ HOUSING: FLAME RETARDANT THERMOPLASTIC; COLOR: BLACK.
- △ FINISH: 0.000381 [.000015] GOLD ON CONTACT AREA, OVER 0.00127 [.000050] NICKEL, ENTIRE POST.



RECOMMENDED HOLE LAYOUT



LOC	DIST	NO. OF POSITIONS	NO. OF POSITIONS	PART NUMBER
101.19	99.06	39	80	4-146498-0
[3.984]	[3.900]			
98.65	96.52	38	78	3-146498-9
[3.884]	[3.800]			
96.11	93.98	37	76	3-146498-8
[3.784]	[3.700]			
93.57	91.44	36	74	3-146498-7
[3.684]	[3.600]			
91.03	88.90	35	72	3-146498-6
[3.584]	[3.500]			
88.49	86.36	34	70	3-146498-5
[3.484]	[3.400]			
85.95	83.82	33	68	3-146498-4
[3.384]	[3.300]			
83.41	81.28	32	66	3-146498-3
[3.284]	[3.200]			
80.87	78.74	31	64	3-146498-2
[3.184]	[3.100]			
78.33	76.20	30	62	3-146498-1
[3.084]	[3.000]			
75.79	73.66	29	60	3-146498-0
[2.984]	[2.900]			
73.25	71.12	28	58	2-146498-9
[2.884]	[2.800]			
70.71	68.58	27	56	2-146498-8
[2.784]	[2.700]			
68.17	66.04	26	54	2-146498-7
[2.684]	[2.600]			
65.63	63.50	25	52	2-146498-6
[2.584]	[2.500]			
63.09	60.96	24	50	2-146498-5
[2.484]	[2.400]			
60.55	58.42	23	48	2-146498-4
[2.384]	[2.300]			
58.01	55.88	22	46	2-146498-3
[2.284]	[2.200]			
55.47	53.34	21	44	2-146498-2
[2.184]	[2.100]			
52.93	50.80	20	42	2-146498-1
[2.084]	[2.000]			
50.39	48.26	19	40	2-146498-0
[1.984]	[1.900]			
47.85	45.72	18	38	1-146498-9
[1.884]	[1.800]			
45.31	43.18	17	36	1-146498-8
[1.784]	[1.700]			
42.77	40.64	16	34	1-146498-7
[1.684]	[1.600]			
40.23	38.10	15	32	1-146498-6
[1.584]	[1.500]			
37.69	35.56	14	30	1-146498-5
[1.484]	[1.400]			
35.15	33.02	13	28	1-146498-4
[1.384]	[1.300]			
32.61	30.48	12	26	1-146498-3
[1.284]	[1.200]			
30.07	27.94	11	24	1-146498-2
[1.184]	[1.100]			
27.53	25.40	10	22	1-146498-1
[1.084]	[1.000]			
24.99	22.86	9	20	1-146498-0
[.984]	[.900]			
22.45	20.32	8	18	146498-9
[.884]	[.800]			
19.91	17.78	7	16	146498-8
[.784]	[.700]			
17.37	15.24	6	14	146498-7
[.684]	[.600]			
14.83	12.70	5	12	146498-6
[.584]	[.500]			
12.29	10.16	4	10	146498-5
[.484]	[.400]			
9.75	7.62	3	8	146498-4
[.384]	[.300]			
7.21	5.08	2	6	146498-3
[.284]	[.200]			
4.67	2.54	1	4	146498-2
[.184]	[.100]			
2.13	-	-	2	146498-1
[.084]	-	-		
G	F	E		

DIMENSIONS: mm (INCH)		TOLERANCES UNLESS OTHERWISE SPECIFIED: 0 PLC ±. 1 PLC ±. 2 PLC ±0.51 (.02) 3 PLC ±0.127 (.005) 4 PLC ±0.0127 (.0005) ANGLES ±.		DWN E. BRANDBERG 12-NOV-96 CHK G. DUBNICKI 12-NOV-96 APVD G. DUBNICKI 12-NOV-96 NAME PRODUCT SPEC APPLICATION SPEC WEIGHT CUSTOMER DRAWING		AMP Incorporated Harrisburg, PA 17105-3508 HEADER ASSEMBLY, MOD 11, STACKING, DOUBLE ROW, .025 SQ. POST, UNSHROUDED SIZE A1 CAGE CODE 00779 DRAWING NO. 146498 SCALE 4:1 SHEET 1 OF 1 REV 0	
--------------------------	--	--	--	---	--	---	--

X-ON Electronics

Largest Supplier of Electrical and Electronic Components

Click to view similar products for [Board to Board & Mezzanine Connectors](#) category:

Click to view products by [TE Connectivity](#) manufacturer:

Other Similar products are found below :

[589158040000018](#) [MDF7C-18P-2.54DSA\(55\)](#) [FCN-230C068-11](#) [FCN-268F012-G/BD](#) [FCN-268F036-G/BD](#) [FCN-268M012-G/0D](#) [FCN-268M024-G/1D](#) [FCN-723J004/1](#) [MIS-048-01-F-D-DP-K](#) [832-10-034-10-001000](#) [FX4C-80S-1.27DSA](#) [FCN-214Q030-G/0](#) [FCN-234P048-G/0](#) [FCN-235D050-G/C](#) [210-93-314-41-105000](#) [2-22603-0](#) [MDF7-40DP-2.54DSA\(55\)](#) [AXG720047](#) [5031084030](#) [MIT-114-03-F-D-K](#) [55323-1519](#) [DF33-2P-3.3DSA\(24\)](#) [YFT-20-05-H-03-SB-K](#) [503308-3040](#) [026-6203-PDB](#) [027-6203-PDB](#) [069159702701000](#) [10123981-102LF](#) [101A10019X](#) [55650-0588-C](#) [68682-310LF](#) [68684-306](#) [75140-7012](#) [87471-650](#) [194261-1](#) [FCN-268F024-G0D](#) [10124054-515LF](#) [68685-603](#) [8-1616154-3](#) [MIS-019-01-F-D](#) [FCN-268M024-G/3D](#) [20021832-06016C1LF](#) [KX15-20KLDL-E1000E](#) [MDF7-16DP-2.54DSA\(55\)](#) [AXE810124](#) [FCN-214J100-G/0](#) [FCN-230C068-E/S](#) [AXE812124](#) [AXE816124](#) [AXE720127](#)