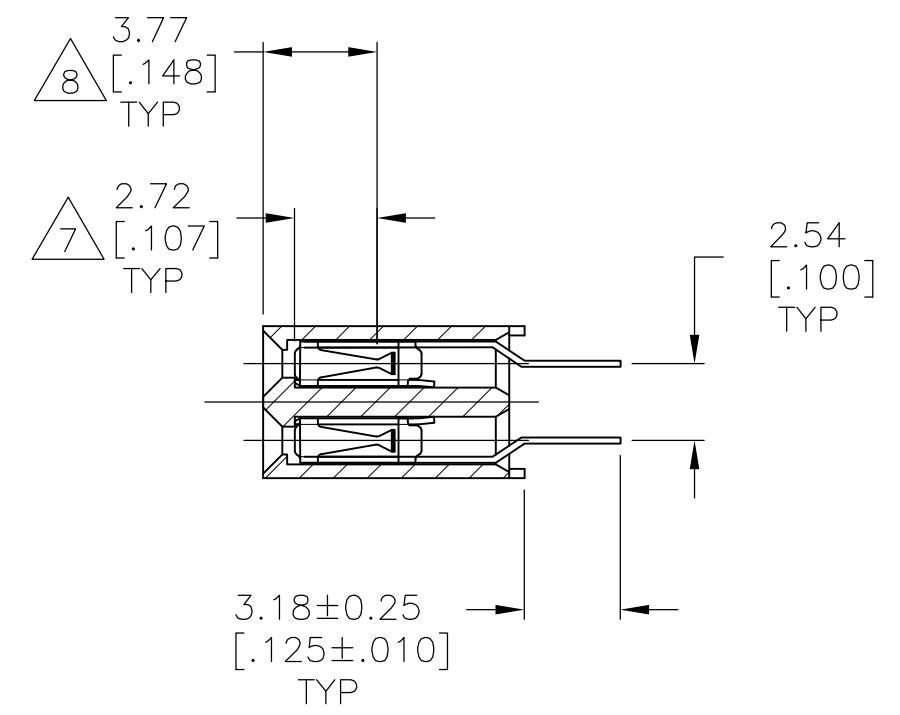
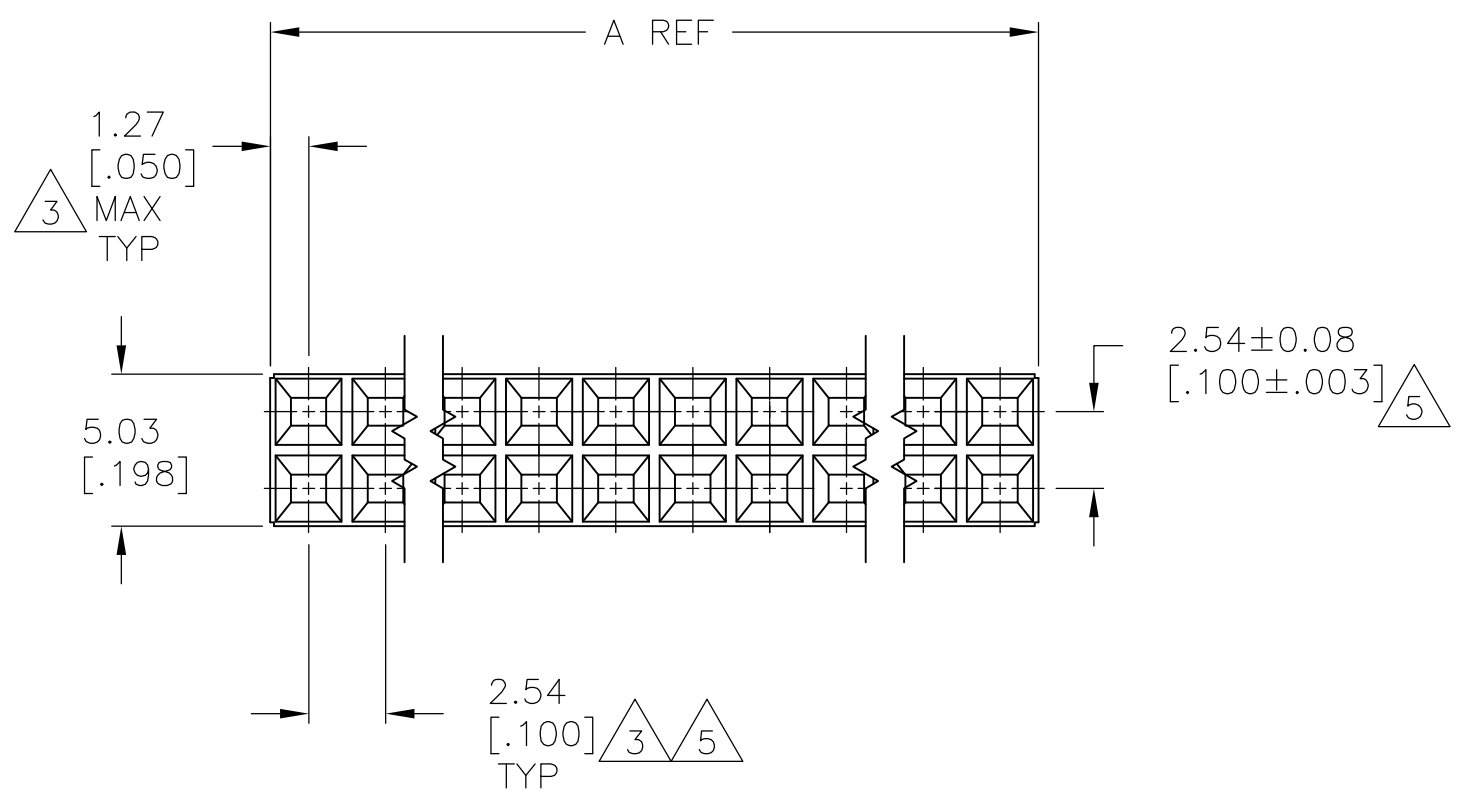
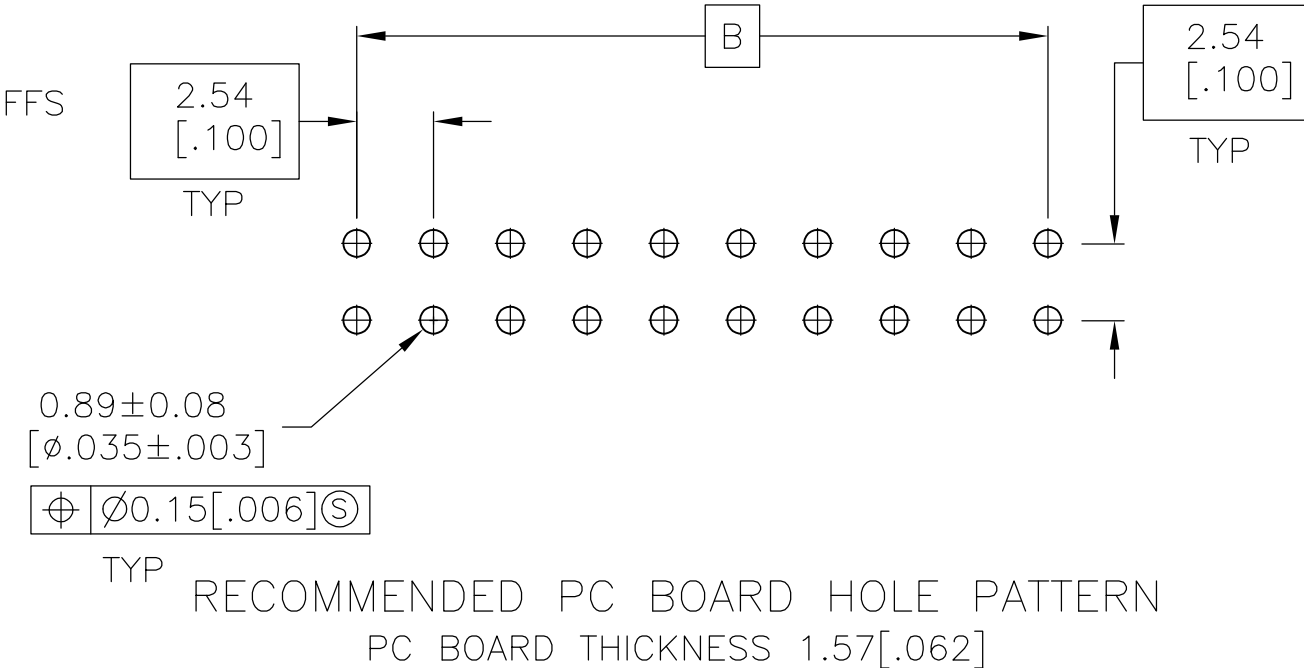
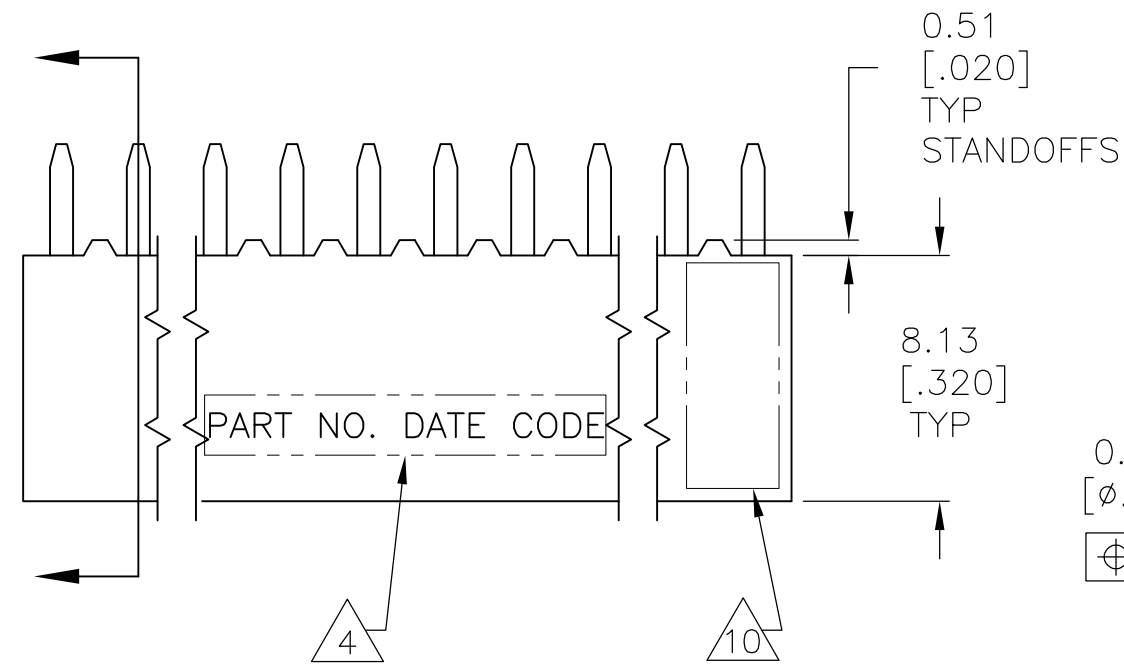


THIS DRAWING IS UNPUBLISHED. RELEASED FOR PUBLICATION
 © COPYRIGHT - By - ALL RIGHTS RESERVED.

LOC		DIST		REVISIONS				
P	LTR	DESCRIPTION			DATE	DWN	APVD	
AD	00	J5	REVISED PER ECO-13-005565	29MAR13	KH	JO		



2	99.06 [3.900]	101.60 [4.000]	80	4-146762-0
2	96.52 [3.800]	99.06 [3.900]	78	3-146762-9
2	93.98 [3.700]	96.52 [3.800]	76	3-146762-8
2	91.44 [3.600]	93.98 [3.700]	74	3-146762-7
2	88.90 [3.500]	91.44 [3.600]	72	3-146762-6
2	86.36 [3.400]	88.90 [3.500]	70	3-146762-5
2	83.82 [3.300]	86.36 [3.400]	68	3-146762-4
2	81.28 [3.200]	83.82 [3.300]	66	3-146762-3
2	76.20 [3.000]	78.74 [3.100]	62	3-146762-2
2	73.66 [2.900]	76.20 [3.000]	60	3-146762-1
2	71.12 [2.800]	73.66 [2.900]	58	3-146762-0
2	68.58 [2.700]	71.12 [2.800]	56	2-146762-9
2	66.04 [2.600]	68.58 [2.700]	54	2-146762-8
2	63.50 [2.500]	66.04 [2.600]	52	2-146762-7
2	60.96 [2.400]	63.50 [2.500]	50	2-146762-6
2	58.42 [2.300]	60.96 [2.400]	48	2-146762-5
2	55.88 [2.200]	58.42 [2.300]	46	2-146762-4
2	53.34 [2.100]	55.88 [2.200]	44	2-146762-3
2	50.80 [2.000]	53.34 [2.100]	42	2-146762-2
2	45.72 [1.800]	48.26 [1.900]	38	2-146762-1
2	43.18 [1.700]	45.72 [1.800]	36	2-146762-0
2	40.64 [1.600]	43.18 [1.700]	34	1-146762-9
2	38.10 [1.500]	40.64 [1.600]	32	1-146762-8
2	33.02 [1.300]	35.56 [1.400]	28	1-146762-7
2	30.48 [1.200]	33.02 [1.300]	26	1-146762-6
2	27.94 [1.100]	30.48 [1.200]	24	1-146762-5
2	25.40 [1.000]	27.94 [1.100]	22	1-146762-4
2	17.78 [.700]	20.32 [.800]	16	1-146762-3
2	15.24 [.600]	17.78 [.700]	14	1-146762-2
2	12.70 [.500]	15.24 [.600]	12	1-146762-1
9	5.08 [.200]	7.62 [.300]	6	1-146762-0
9	2.54 [.100]	5.08 [.200]	4	146762-9
9	-	2.54 [.100]	2	6 146762-8
2	22.86 [.900]	25.40 [1.000]	20	146762-7
2	78.74 [3.100]	81.28 [3.200]	64	146762-6
2	48.26 [1.900]	50.80 [2.000]	40	146762-5
2	35.56 [1.400]	38.10 [1.500]	30	146762-4
2	20.32 [.800]	22.86 [.900]	18	146762-3
9	10.16 [.400]	12.70 [.500]	10	146762-2
9	7.62 [.300]	10.16 [.400]	8	146762-1
FINISH	B	A	NO OF POSN	PART NUMBER

- 1 HOUSING: FLAME RETARDANT, GLASS FILLED, POLYESTER, COLOR: BLACK. CONTACT: PHOSPHOR BRONZE
- 2 CONTACT: 3.81-7.62MICROMETERS(.000150-.000300) BRIGHT TIN-LEAD OVER 1.27µm [.000050] MINIMUM NICKEL
- 3 THESE DIMENSIONS PERTAIN TO CAVIITY CENTERLINES ONLY - NOT TO CONTACT LOCATIONS
- 4 MARK PART NUMBER AND DATE CODE IN APPROXIMATE LOCATION SHOWN. EITHER SIDE.
- 5 TOLERANCE IS NON-CUMULATIVE.
- 6 2 POSITION DATE CODE IS MARKED OPPOSITE SIDE OF TE CONNECTIVITY LOGO.
- 7 POINT-OF-MEASUREMENT DIMENSION FOR PLATING THICKNESS (INSIDE CONTACT BEAM).
- 8 POINT-OF-CONTACT DIMENSION.
- 9 NO PART NUMBER MARKING REQUIRED FOR THIS PART.
- 10 TE CONNECTIVITY LOGO AND CSA LOGO ARE MOLDED INTO HOUSING.
- 11 CONTACT: 3.81-7.62 MICROMETERS (.000150-.000300) MATTE TIN OVER 1.27 MICROMETERS (.000050) MINIMUM NICKEL
- 12 ROHS 2002 /95/EC COMPLIANT

THIS DRAWING IS A CONTROLLED DOCUMENT.

DWN M.BINNER 06NOV2002
 CHK J.OLSON 06NOV02
 APVD J.OLSON 06NOV02

TE Connectivity

RECEPTACLE ASSEMBLY, MOD IV, DOUBLE ROW, TOP ENTRY, .100X.100CL, VERTICAL MOUNT, AMPMODU

108-25022
 APPLICATION SPEC
 114-25018

SIZE A2 CAGE CODE 00779 DRAWING NO C=146762 RESTRICTED TO -

SCALE 4:1 SHEET 1 of 2 REV J5


THIS DRAWING IS UNPUBLISHED. RELEASED FOR PUBLICATION
 © COPYRIGHT - By - ALL RIGHTS RESERVED.

LOC	DIST	REVISIONS					
AD	00	P	LTR	DESCRIPTION	DATE	DWN	APVD
		-		SEE SHEET I	-	-	-

11	99.06	[3.900]	101.60	[4.000]	80	12	9-146762-0
11	96.52	[3.800]	99.06	[3.900]	78	12	8-146762-9
11	93.98	[3.700]	96.52	[3.800]	76	12	8-146762-8
11	91.44	[3.600]	93.98	[3.700]	74	12	8-146762-7
11	88.90	[3.500]	91.44	[3.600]	72	12	8-146762-6
11	86.36	[3.400]	88.90	[3.500]	70	12	8-146762-5
11	83.82	[3.300]	86.36	[3.400]	68	12	8-146762-4
11	81.28	[3.200]	83.82	[3.300]	66	12	8-146762-3
11	76.20	[3.000]	78.74	[3.100]	62	12	8-146762-2
11	73.66	[2.900]	76.20	[3.000]	60	12	8-146762-1
11	71.12	[2.800]	73.66	[2.900]	58	12	8-146762-0
11	68.58	[2.700]	71.12	[2.800]	56	12	7-146762-9
11	66.04	[2.600]	68.58	[2.700]	54	12	7-146762-8
11	63.50	[2.500]	66.04	[2.600]	52	12	7-146762-7
11	60.96	[2.400]	63.50	[2.500]	50	12	7-146762-6
11	58.42	[2.300]	60.96	[2.400]	48	12	7-146762-5
11	55.88	[2.200]	58.42	[2.300]	46	12	7-146762-4
11	53.34	[2.100]	55.88	[2.200]	44	12	7-146762-3
11	50.80	[2.000]	53.34	[2.100]	42	12	7-146762-2
11	45.72	[1.800]	48.26	[1.900]	38	12	7-146762-1
11	43.18	[1.700]	45.72	[1.800]	36	12	7-146762-0
11	40.64	[1.600]	43.18	[1.700]	34	12	6-146762-9
11	38.10	[1.500]	40.64	[1.600]	32	12	6-146762-8
11	33.02	[1.300]	35.56	[1.400]	28	12	6-146762-7
11	30.48	[1.200]	33.02	[1.300]	26	12	6-146762-6
11	27.94	[1.100]	30.48	[1.200]	24	12	6-146762-5
11	25.40	[1.000]	27.94	[1.100]	22	12	6-146762-4
11	17.78	[.700]	20.32	[.800]	16	12	6-146762-3
11	15.24	[.600]	17.78	[.700]	14	12	6-146762-2
11	12.70	[.500]	15.24	[.600]	12	12	6-146762-1
9	5.08	[.200]	7.62	[.300]	6	12	6-146762-0
9	2.54	[.100]	5.08	[.200]	4	12	5-146762-9
9			2.54	[.100]	2	12	5-146762-8
11	22.86	[.900]	25.40	[1.000]	20	12	5-146762-7
11	78.74	[3.100]	81.28	[3.200]	64	12	5-146762-6
11	48.26	[1.900]	50.80	[2.000]	40	12	5-146762-5
11	35.56	[1.400]	38.10	[1.500]	30	12	5-146762-4
11	20.32	[.800]	22.86	[.900]	18	12	5-146762-3
9	10.16	[.400]	12.70	[.500]	10	12	5-146762-2
9	7.62	[.300]	10.16	[.400]	8	12	5-146762-1
FINISH	B		A		NO OF POSN	PART NUMBER	

OBSOLETE

146762

THIS DRAWING IS A CONTROLLED DOCUMENT.		DWN M.BINNER 06NOV2002	 TE Connectivity	
DIMENSIONS: mm [INCHES]		CHK J.OLSON 06NOV02		
TOLERANCES UNLESS OTHERWISE SPECIFIED:		APVD J.OLSON 06NOV02	NAME RECEPTACLE ASSEMBLY, MOD IV, DOUBLE ROW, TOP ENTRY, .100X.100CL, VERTICAL MOUNT, AMPMODU	
0 PLC ± - 1 PLC ± - 2 PLC ± 0.13[.005] 3 PLC ± - 4 PLC ± - ANGLES ± -		PRODUCT SPEC 108-25022	SIZE A2	CAGE CODE 00779
MATERIAL 1	FINISH 2 11	APPLICATION SPEC 114-25018	DRAWING NO C=146762	RESTRICTED TO -
CUSTOMER DRAWING			SCALE 1:1	SHEET 2 of 2
			REV J5	

X-ON Electronics

Largest Supplier of Electrical and Electronic Components

Click to view similar products for [Headers & Wire Housings](#) category:

Click to view products by [TE Connectivity](#) manufacturer:

Other Similar products are found below :

[95000-104TRLF](#) [10135584-644402LF](#) [DF62W-EP2022PCA](#) [95000-106TRLF](#) [DF62W-2022SCA](#) [DF62W-EP2022PC](#) [2203348](#) [DF62W-2022SC](#) [1084018](#) [1029039](#) [1084017](#) [802-10-012-10-002000](#) [1112640](#) [1112639](#) [000-34000](#) [0009482033](#) [0009507031](#) [57102-S06-03LF](#) [57202-S52-04LF](#) [PCN6-15S-2.5E](#) [0039019024](#) [58102-G61-06LF](#) [582553-1](#) [0009508121](#) [0050291907](#) [018731A](#) [LY20-4P-DT1-P1E-BR](#) [02.125.8002.8](#) [60101931](#) [60598-1 \(Cut Strip\)](#) [M1625-3R/100](#) [61062-3](#) [61082-181009](#) [636-1427](#) [638009-1](#) [641938-9](#) [641991-4](#) [644168-1](#) [647662-1](#) [65039-019ELF](#) [65817-002LF](#) [65817-015LF](#) [65863-015LF](#) [66207-023LF](#) [67016-026LF](#) [67046-001LF](#) [67095-007LF](#) [68002-116](#) [68016-236H](#) [68648-049](#)