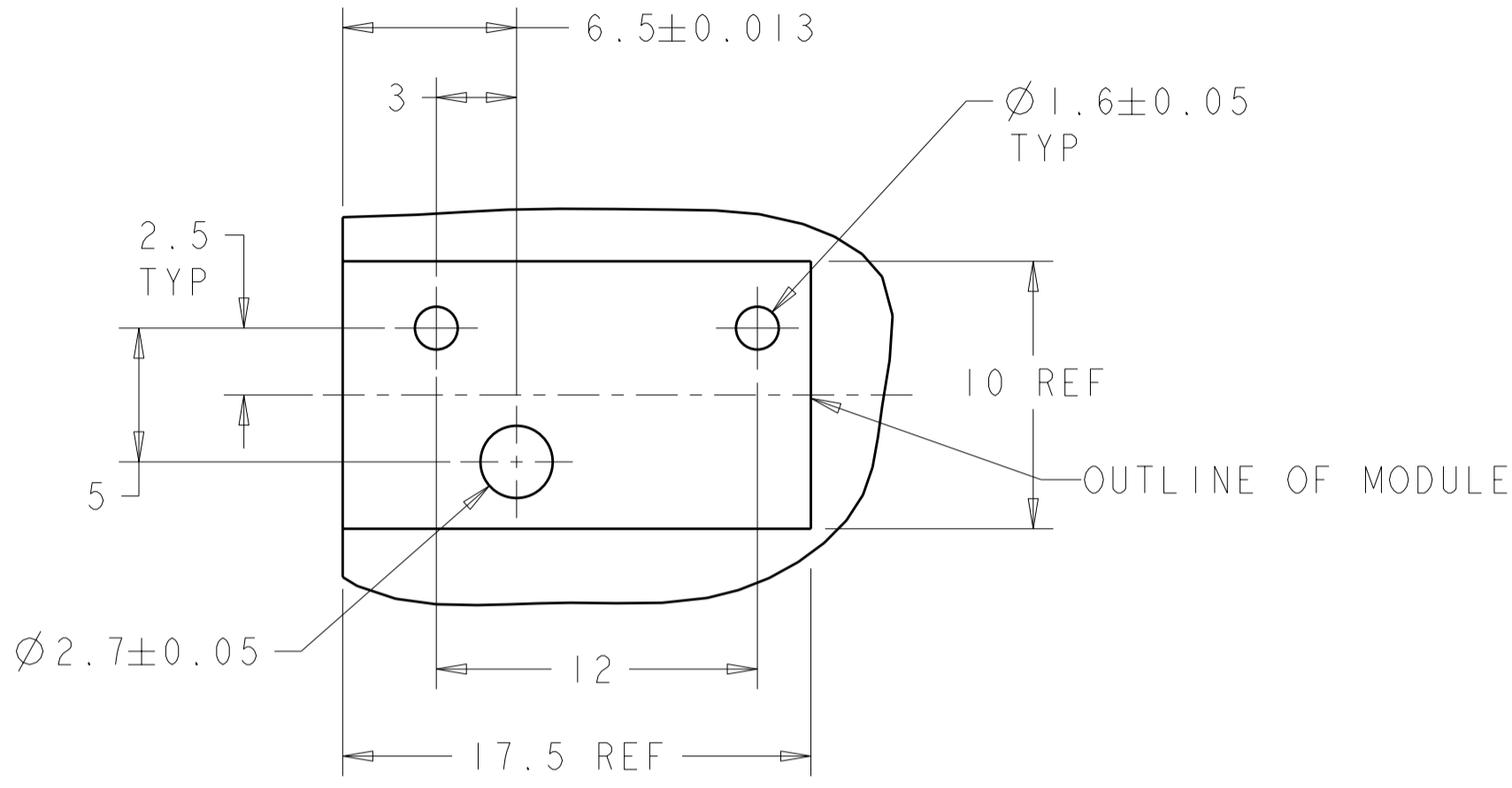
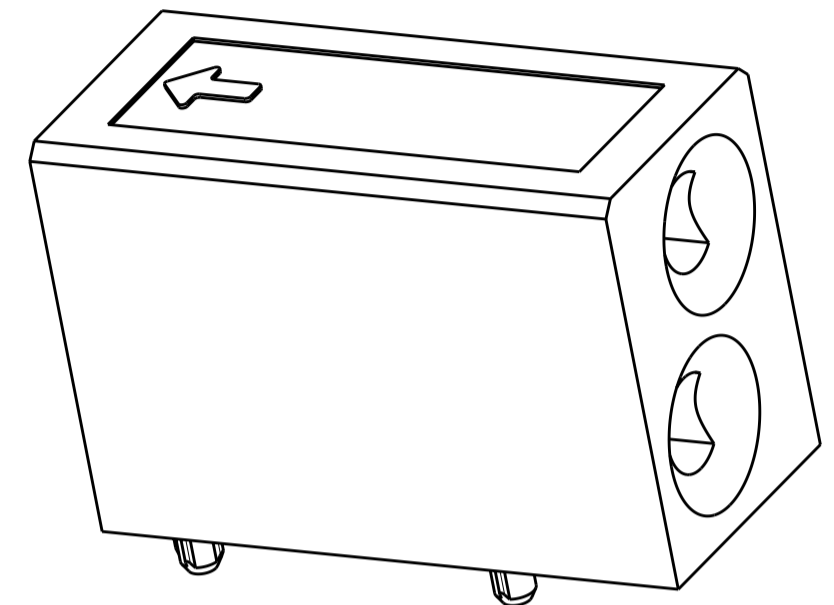


THIS DRAWING IS UNPUBLISHED. RELEASED FOR PUBLICATION 20
 © COPYRIGHT 20 Y ALL RIGHTS RESERVED.

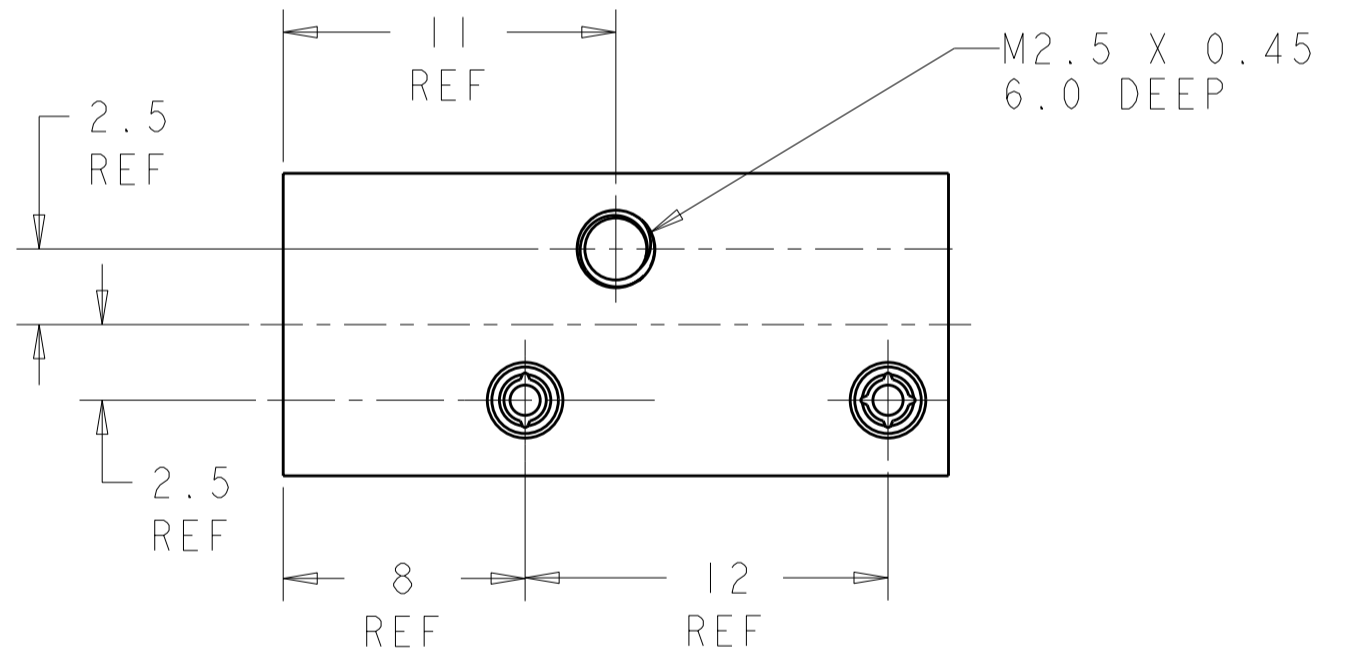
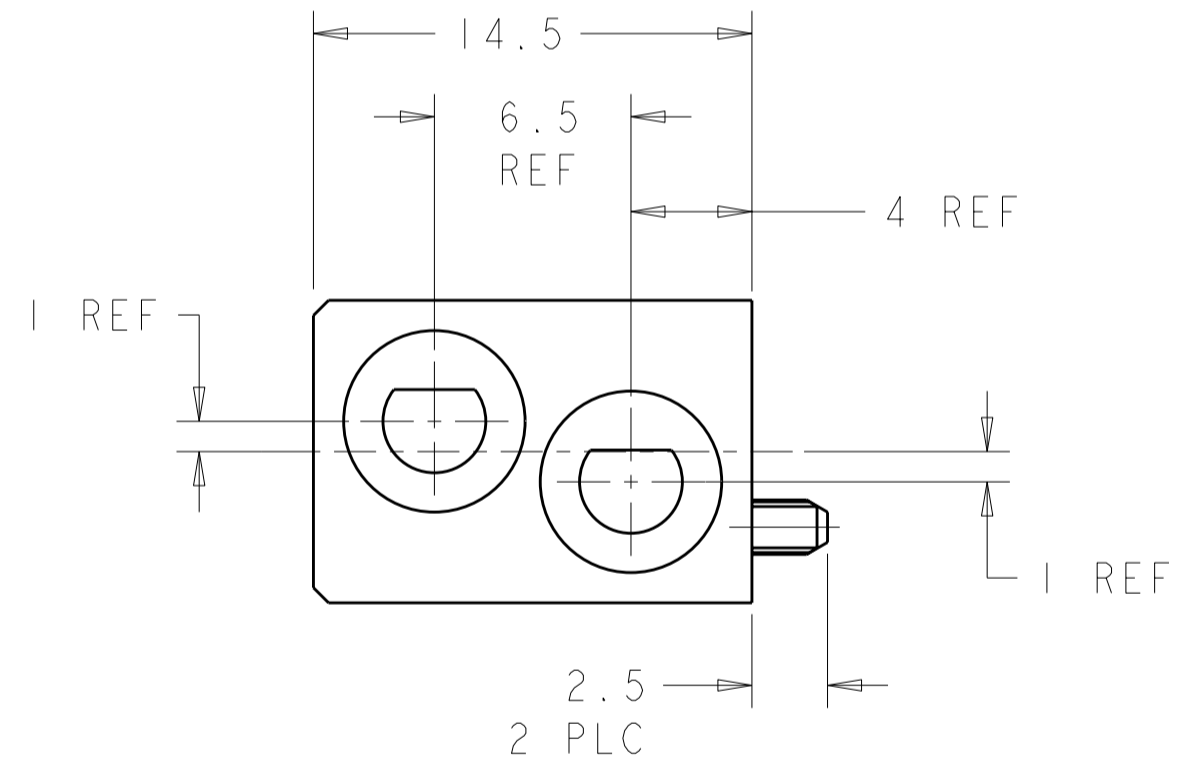
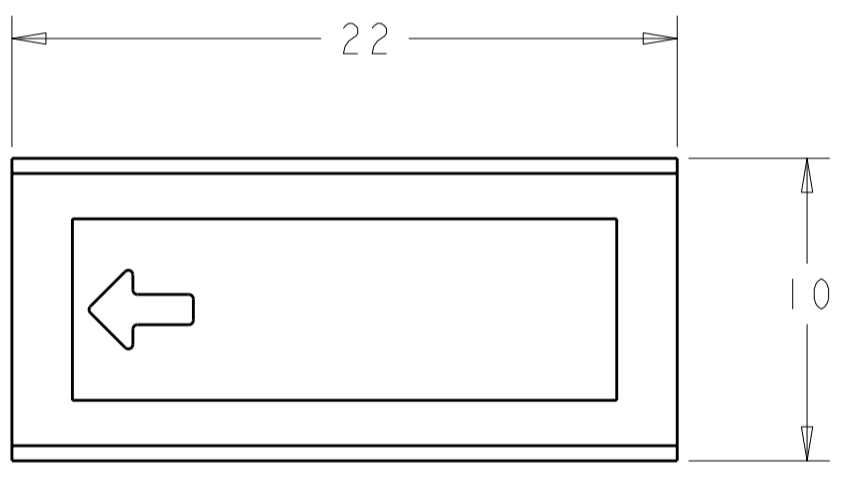
LOC		DIST		REVISIONS			
P	LTR	DESCRIPTION	DATE	DWN	APVD		
	EI	REV PER ECO-11-005027	07MAY2011	RK	HMR		



PCB LAYOUT



1. RECOMMENDED MOUNTING HARDWARE- M2.5 X 0.45 SCREW, 7.0MM LONG UP TO 2.9 MM THICK PCB, 8.0MM LONG FOR 3.0 TO 4.0 MM THICK PCB, 10.0MM FOR 4.1 TO 6.0MM THICK PCB, 12.0MM FOR 6.1 TO 8.0MM THICK PCB. (HARDWARE NOT SUPPLIED WITH PART NUMBER)
2. ENHANCED VERSION AVAILABLE FOR NEB'S DROP TEST. REFERENCE DRAWING 1469958.

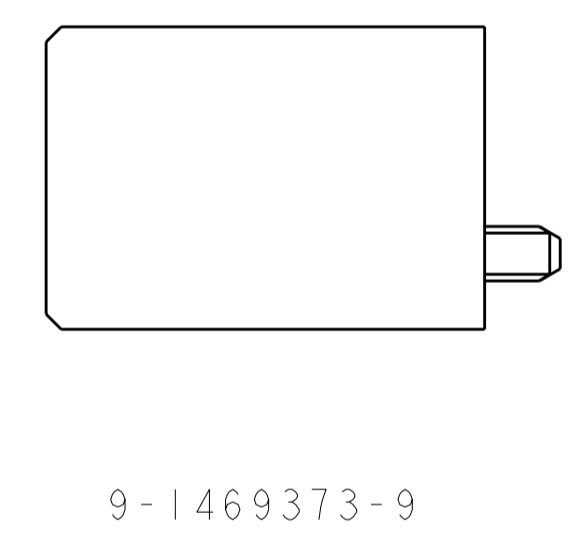
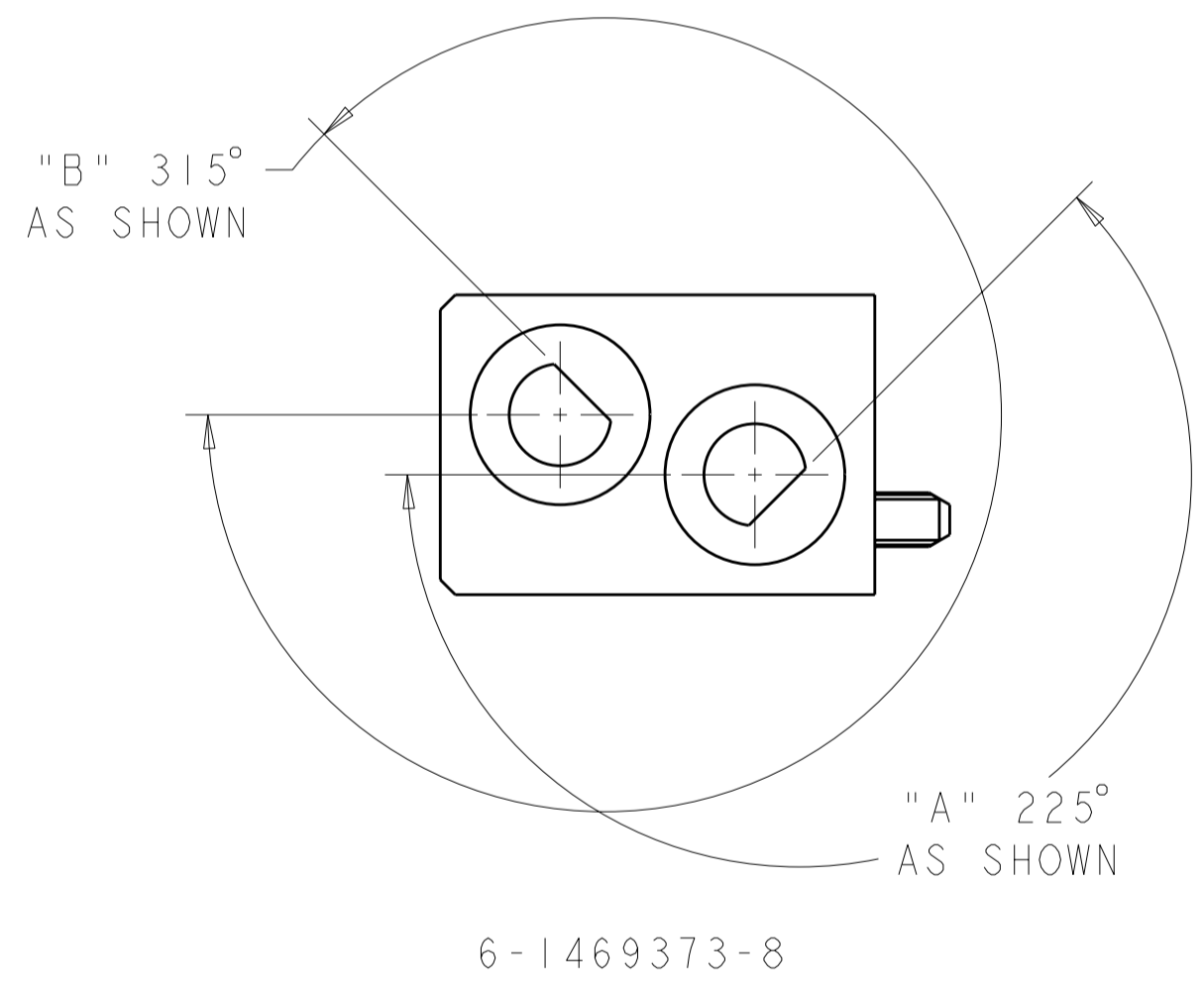
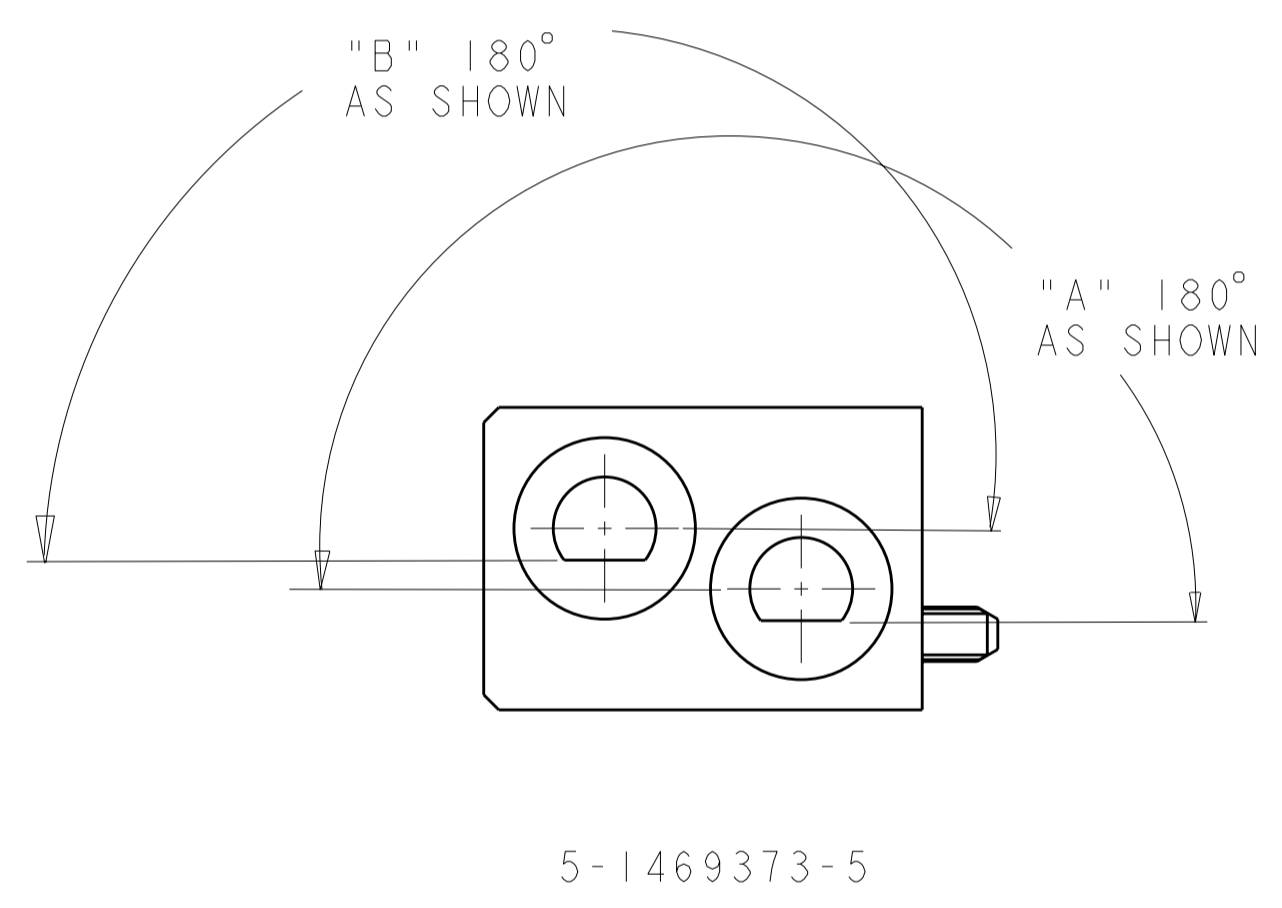
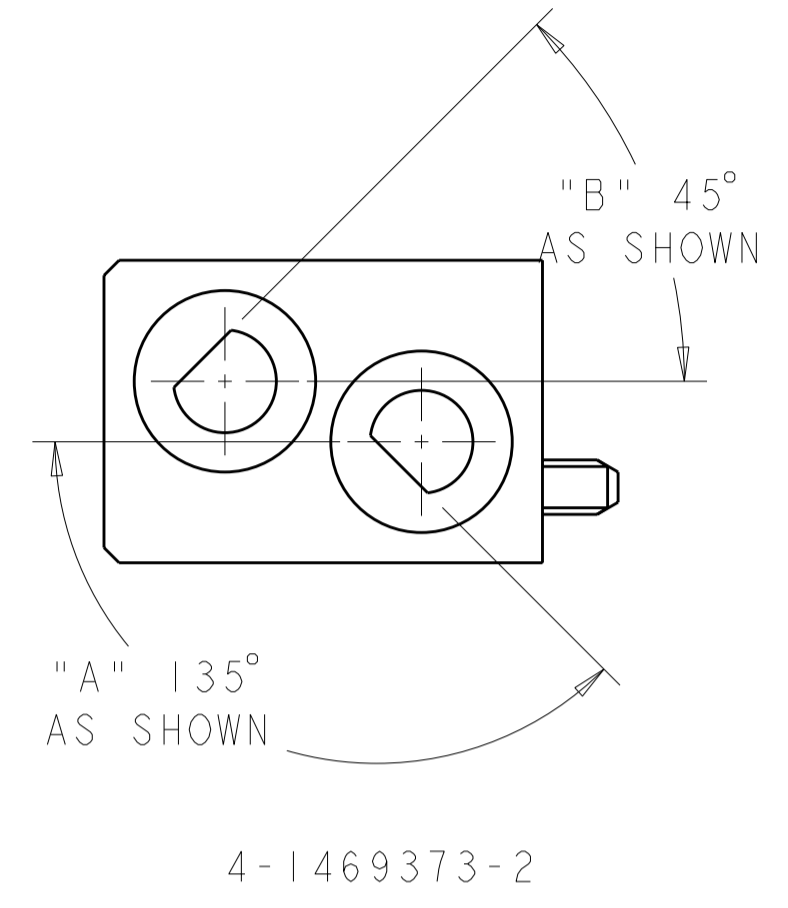
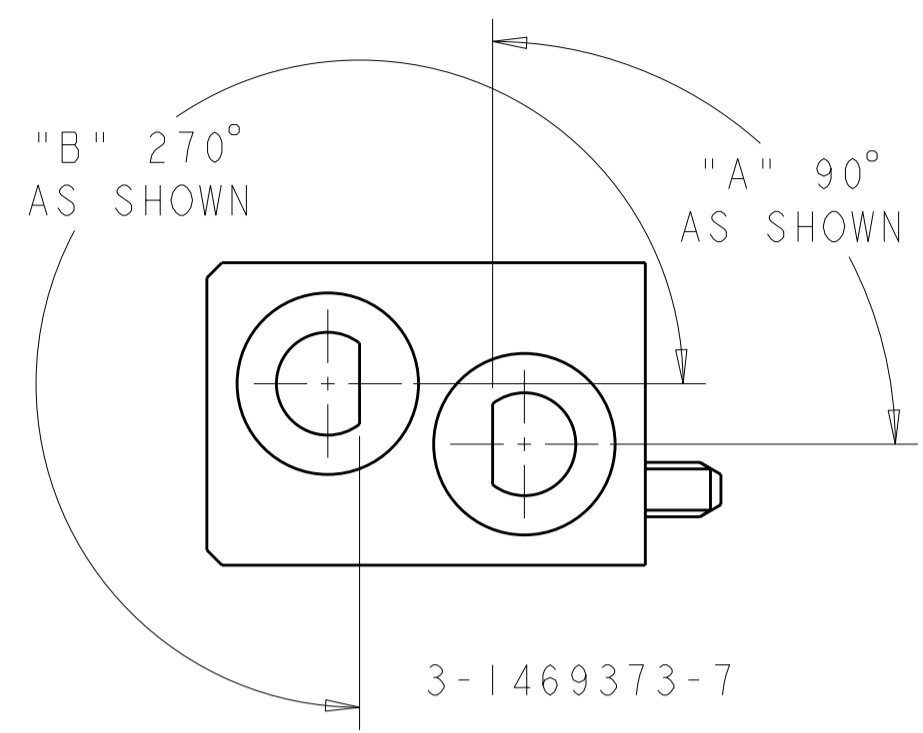
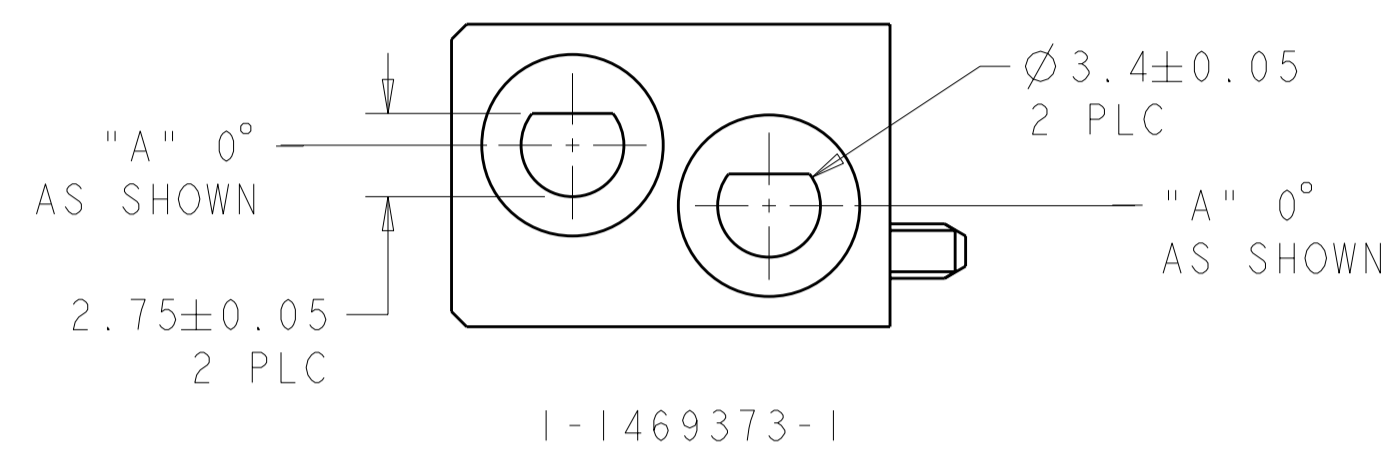


N/A	N/A	UNKEYED	9-1469373-9
225°	315°	6 8	6-1469373-8
180°	180°	5 5	5-1469373-5
135°	45°	4 2	4-1469373-2
90°	270°	3 7	3-1469373-7
0°	0°	1 1	1-1469373-1
"A"	"B"	KEYING POS	PART NUMBER

THIS DRAWING IS A CONTROLLED DOCUMENT.		DWN D. SZCZESNY 17DEC02	TE Connectivity	
DIMENSIONS: mm		CHK R. PATERSON 14SEP04		
TOLERANCES UNLESS OTHERWISE SPECIFIED:		APVD R. PATERSON 14SEP04	NAME ATCA GUIDE MODULE (FRONT BOARD - K1/K2)	
0 PLC ±0.2 1 PLC ±0.5 2 PLC ±0.13 3 PLC ±0.013 4 PLC ±0.0001 ANGLES ±0.5 FINISH		PRODUCT SPEC -	SIZE A200779	
MATERIAL ZAMAK 3		APPLICATION SPEC -	DRAWING NO C-1469373	
NICKEL		WEIGHT -	RESTRICTED TO -	
CUSTOMER DRAWING		SCALE 4:1 SHEET 1 OF 2 REV E1		

THIS DRAWING IS UNPUBLISHED. RELEASED FOR PUBLICATION 20
 © COPYRIGHT 20 Y ALL RIGHTS RESERVED.

LOC	DIST	REVISIONS				
P	LTR	DESCRIPTION	DATE	DWN	APVD	
AD	00	-	SEE SHEET 1	-	-	



THIS DRAWING IS A CONTROLLED DOCUMENT.		DWN D. SZCZESNY 17DEC02	STE TE Connectivity	
		CHK R. PATERSON 14SEP04		
DIMENSIONS: mm		APVD R. PATERSON 14SEP04	NAME ATCA GUIDE MODULE (FRONT BOARD - K1/K2)	
TOLERANCES UNLESS OTHERWISE SPECIFIED: 0 PLC ±0.2 1 PLC ±0.5 2 PLC ±0.13 3 PLC ±0.013 4 PLC ±0.0001 ANGLES ±0.5		PRODUCT SPEC -	RESTRICTED TO -	
MATERIAL ZAMAK 3		APPLICATION SPEC -	SIZE A200779	DRAWING NO C-1469373
FINISH NICKEL		WEIGHT -	SCALE 4:1	SHEET 2 OF 2 REV E1
CUSTOMER DRAWING				

X-ON Electronics

Largest Supplier of Electrical and Electronic Components

Click to view similar products for [High Speed/Modular Connectors](#) category:

Click to view products by [TE Connectivity](#) manufacturer:

Other Similar products are found below :

[650827-1](#) [74040-1346](#) [1410191-1](#) [1410368-3](#) [1410964-2](#) [1410326-3](#) [1410367-3](#) [1410971-4](#) [1467833-1](#) [2000877-1](#) [2000878-1](#) [2041314-1](#)
[2065387-1](#) [2187307-1](#) [163P](#) [1934290-1](#) [2000875-1](#) [2065917-1](#) [2102736-2](#) [FSR-40](#) [2169868-2](#) [22354-8](#) [437-5040-000](#) [5-1393565-0](#) [039-](#)
[0246-000](#) [0740618502](#) [0761601016](#) [0784461022](#) [10123159-12ELF](#) [030-2415-003/100 PK](#) [030-7380-004](#) [030-2494-001](#) [532939-1](#) [5532901-](#)
[3](#) [3-1469268-7](#) [74748-102LF](#) [10041743-101LF](#) [10066670-100002LF](#) [1-533915-1](#) [249-4515-000](#) [7-1469373-3](#) [DL2-2J/S](#) [2000713-8](#)
[2000713-7](#) [10124313-101LF](#) [3011-21](#) [757105208](#) [430305-001](#) [4395800100](#) [8140115](#)