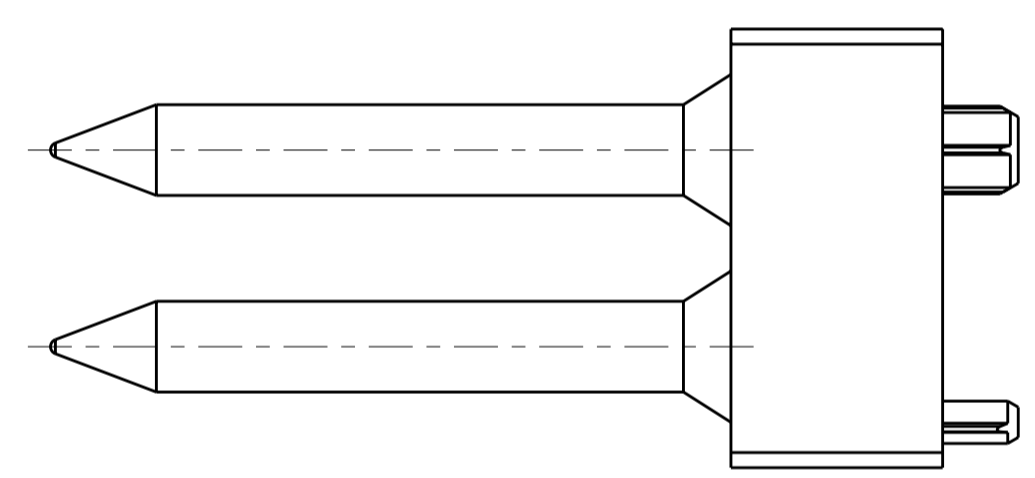
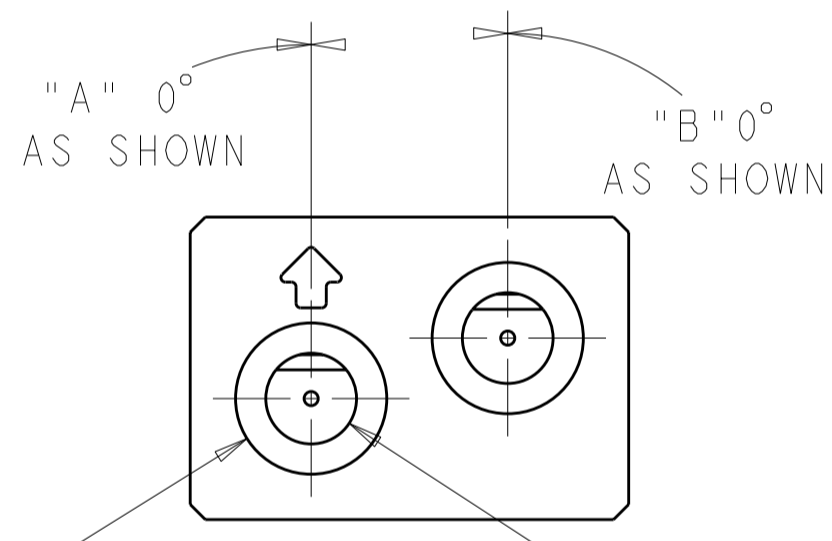
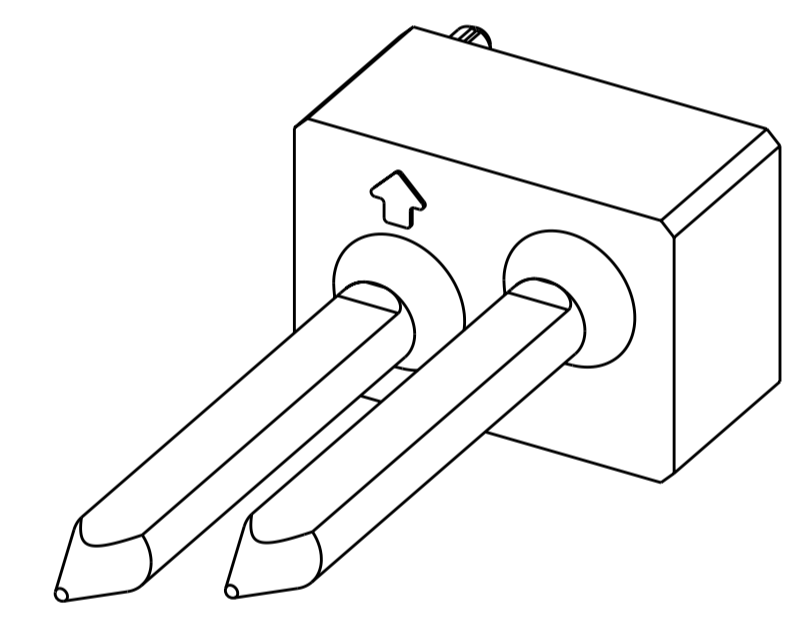
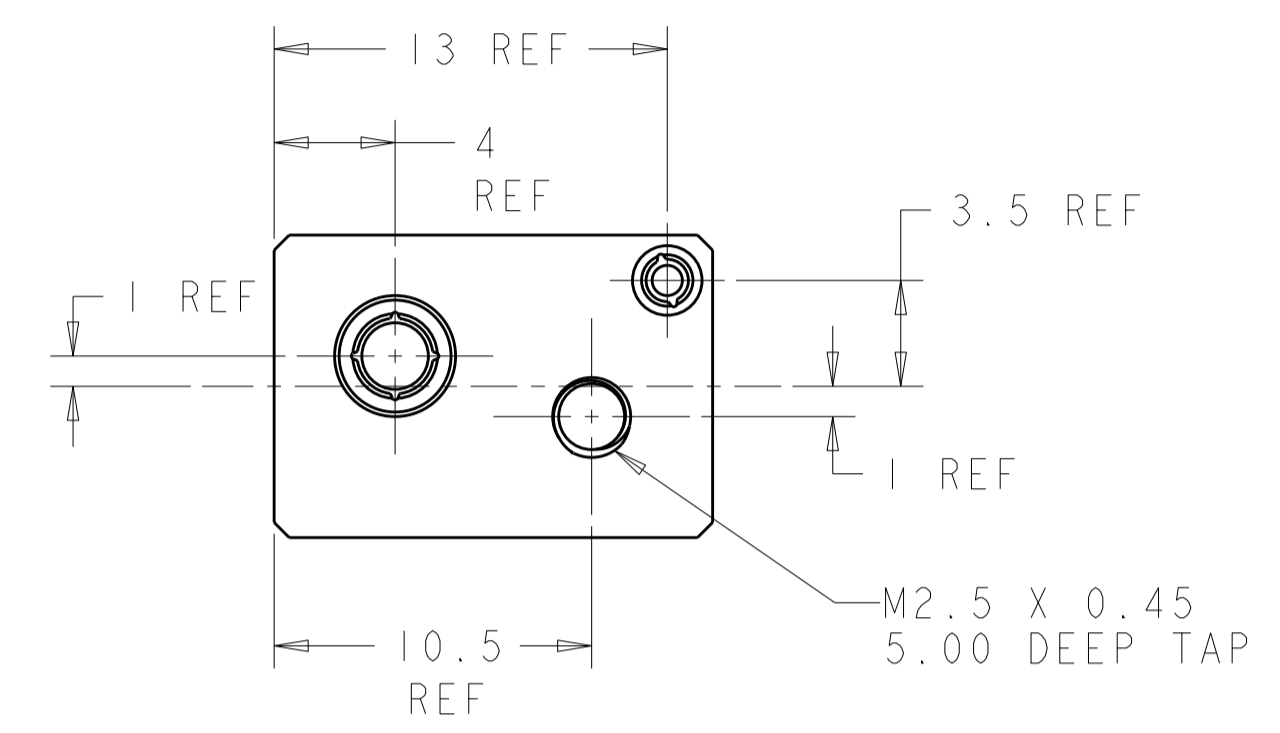
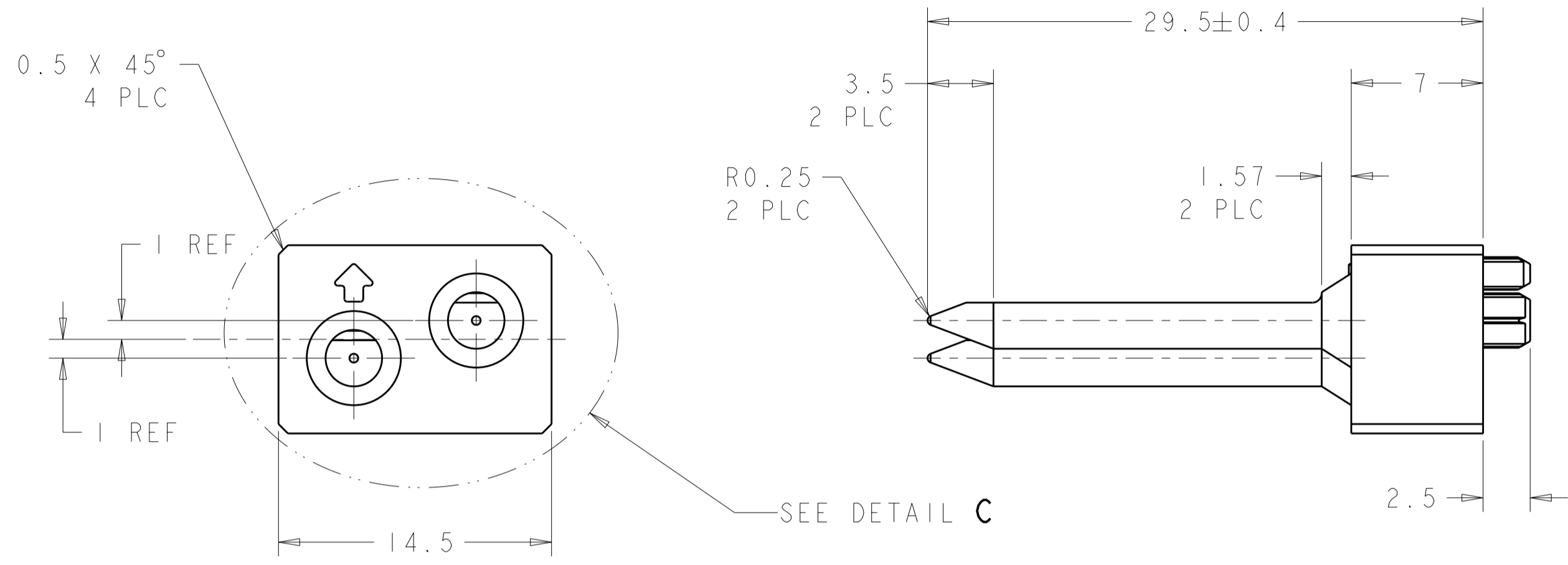
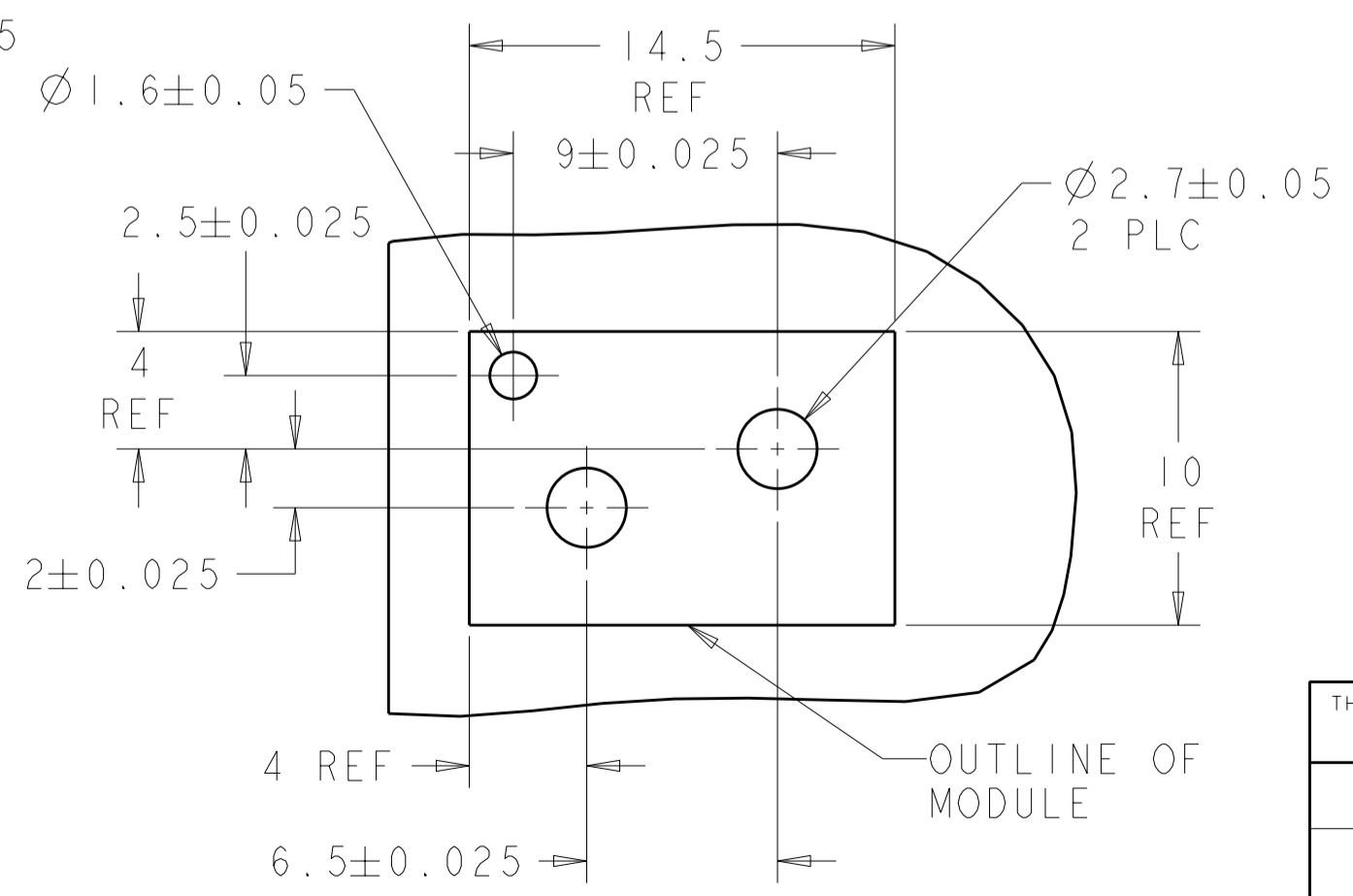


THIS DRAWING IS UNPUBLISHED. RELEASED FOR PUBLICATION 20
 © COPYRIGHT 20 ALL RIGHTS RESERVED.

LOC	DIST	REVISIONS			
P	LTR	DESCRIPTION	DATE	DWN	APVD
AD	00	AI	REVISED PER ECO-11-005027	16MAY2011	RK HMR



DETAIL C
 SCALE 4:1
 1-1469387-1 SHOWN



PCB LAYOUT

OUTLINE OF MODULE

NOTES:
 1. RECOMMENDED MOUNTING HARDWARE - M2.5 X 0.45 SCREW, 4.0MM LONG UP TO 2.9 MM THICK PCB, 6.0MM LONG FOR 3.0 TO 4.0 MM THICK PCB, 8.0MM FOR 4.1 TO 6.0MM THICK PCB, 10.0MM FOR 6.1 TO 8.0MM THICK PCB. (HARDWARE NOT SUPPLIED WITH PART NUMBER)

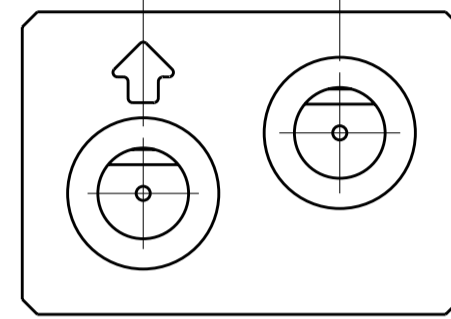
315°	225°	6-1469387-8
270°	90°	3-1469387-7
0°	0°	1-1469387-1
"B"	"A"	PART NUMBER

THIS DRAWING IS A CONTROLLED DOCUMENT.		DWN D. SZCZESNY 17DEC02	TE Connectivity	
DIMENSIONS: mm		CHK R. PATTERSON 14SEP04		
TOLERANCES UNLESS OTHERWISE SPECIFIED: 0 PLC ±0.2 1 PLC ±0.2 2 PLC ±0.13 3 PLC ±0.050 4 PLC ±0.0200 ANGLES ±0.5 FINISH		APVD R. PATTERSON 14SEP04	NAME ATCA GUIDE MODULE (BACK PLANE - AI)	
MATERIAL ZAMAC 3		PRODUCT SPEC -	SIZE A200779	
NICKEL		APPLICATION SPEC -	DRAWING NO C-1469387	
CUSTOMER DRAWING		WEIGHT -	RESTRICTED TO -	
SCALE 2:1		SHEET 1 OF 2 REV AI		

THIS DRAWING IS UNPUBLISHED. RELEASED FOR PUBLICATION 20
 © COPYRIGHT 20 ALL RIGHTS RESERVED.

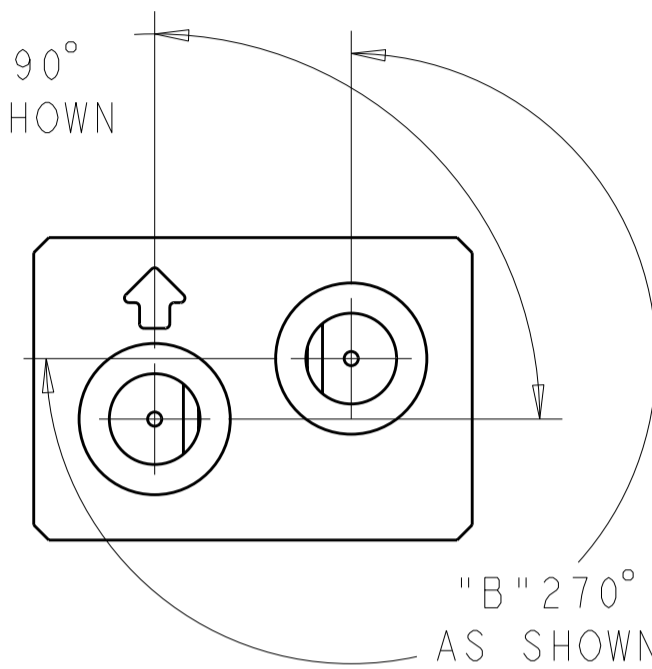
LOC	DIST	REVISIONS			
P	LTR	DESCRIPTION	DATE	DWN	APVD
AD	00	-	SEE SHEET 1	-	-

"A" 0° AS SHOWN "B" 0° AS SHOWN



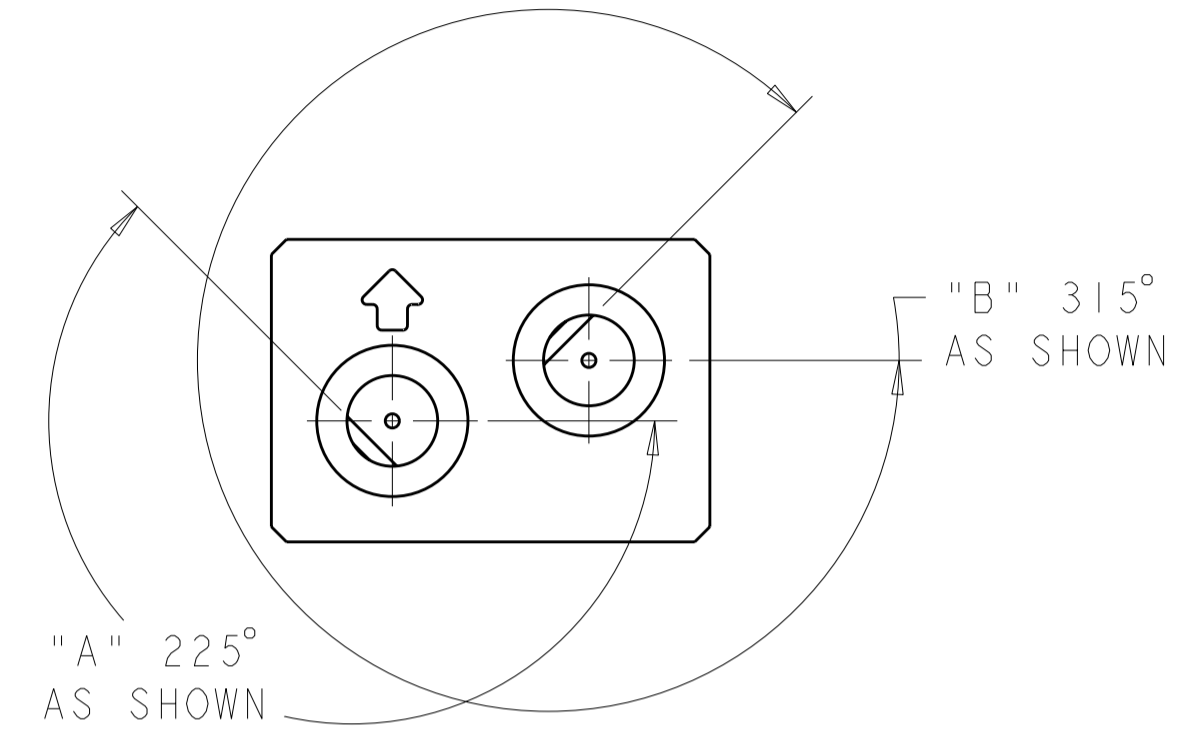
1-1469387-1

"A" 90° AS SHOWN




3-1469387-7

"A" 225° AS SHOWN



6-1469387-8

THIS DRAWING IS A CONTROLLED DOCUMENT.		DWN D. SZCZESNY 17DEC02	 TE Connectivity	
DIMENSIONS: mm		CHK R. PATERSON 14SEP04		
TOLERANCES UNLESS OTHERWISE SPECIFIED:		APVD R. PATERSON 14SEP04	NAME ATCA GUIDE MODULE (BACK PLANE - A1)	
0 PLC ±0.2 1 PLC ±0.2 2 PLC ±0.13 3 PLC ±0.050 4 PLC ±0.0200 ANGLES ±0.5 FINISH		PRODUCT SPEC -	RESTRICTED TO -	
MATERIAL ZAMAC 3	NICKEL	APPLICATION SPEC -	SIZE A200779	DRAWING NO. C-1469387
CUSTOMER DRAWING		WEIGHT -	SCALE 2:1	SHEET 2 OF 2 REV A1

X-ON Electronics

Largest Supplier of Electrical and Electronic Components

Click to view similar products for [High Speed/Modular Connectors](#) category:

Click to view products by [TE Connectivity](#) manufacturer:

Other Similar products are found below :

[650827-1](#) [74040-1346](#) [1410191-1](#) [1410368-3](#) [1410964-2](#) [1410326-3](#) [1410367-3](#) [1410971-4](#) [1467833-1](#) [2000877-1](#) [2000878-1](#) [2041314-1](#)
[2065387-1](#) [2187307-1](#) [163P](#) [1934290-1](#) [2000875-1](#) [2065917-1](#) [2102736-2](#) [FSR-40](#) [2169868-2](#) [22354-8](#) [437-5040-000](#) [5-1393565-0](#) [039-](#)
[0246-000](#) [0761601016](#) [0784461022](#) [10123159-12ELF](#) [030-2415-003/100 PK](#) [030-7380-004](#) [030-2494-001](#) [532939-1](#) [5532901-3](#) [3-1469268-](#)
[7](#) [74748-102LF](#) [73670-0247](#) [10041743-101LF](#) [10066670-100002LF](#) [1-533915-1](#) [249-4515-000](#) [7-1469373-3](#) [DL2-2J/S](#) [2000713-8](#)
[2000713-7](#) [10124313-101LF](#) [3011-21](#) [757105208](#) [EBTF-4-10-2.0-S-RA-1](#) [430305-001](#) [4395800100](#)