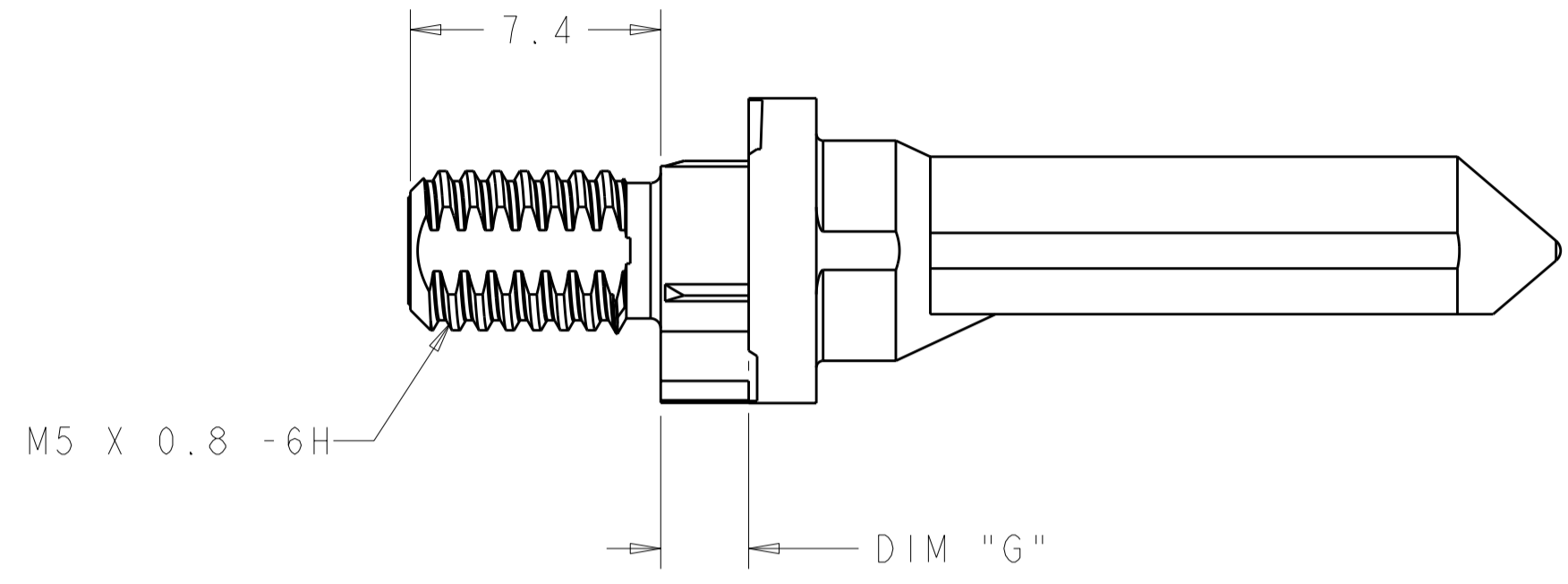
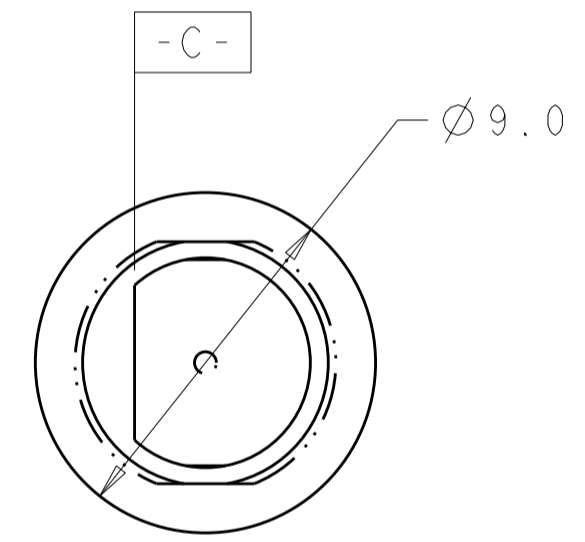
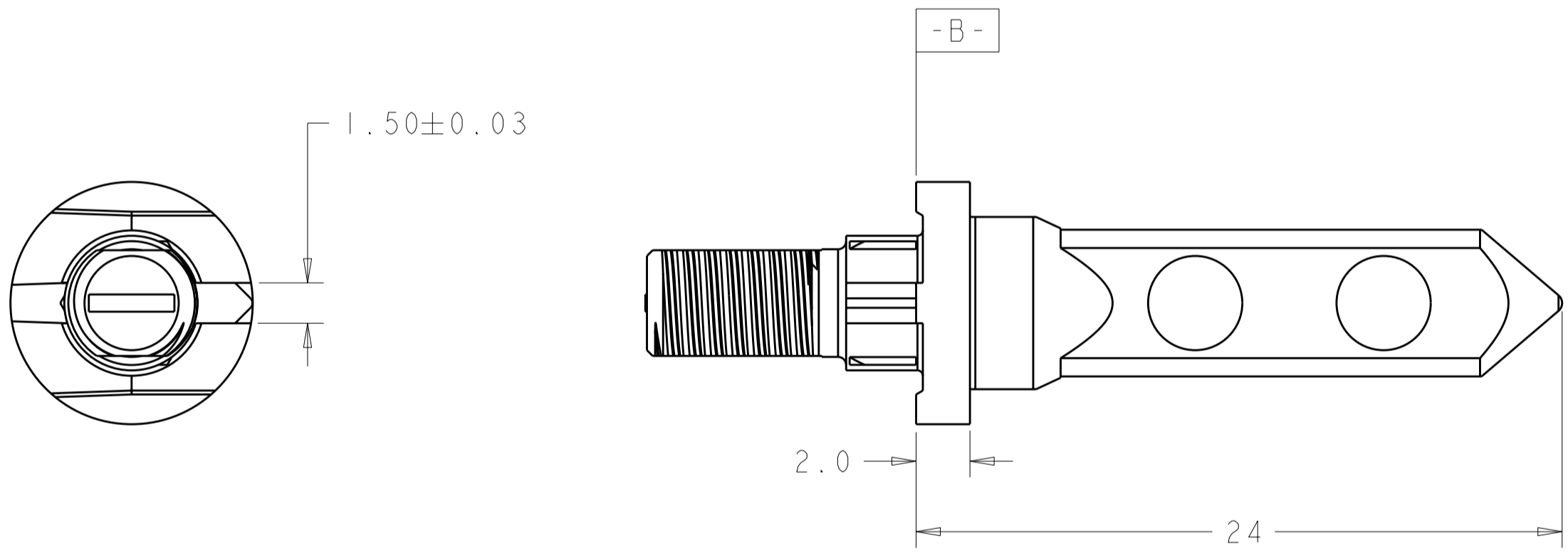


THIS DRAWING IS UNPUBLISHED. RELEASED FOR PUBLICATION 20
 © COPYRIGHT 20 BY - ALL RIGHTS RESERVED.

LOC		DIST		REVISIONS			
P	LTR	DESCRIPTION	DATE	DWN	APVD		
CG	00	B2	REVISD PER ECO-11-005027	14MAR2011	RK	HMR	



- 1 MATERIAL: ZINC ALLOY
- 2 OBSOLETE PART NUMBER
- 3 KEY HOLE ORIENTATION (DIM A) PER MATING GUIDE MODULE PART NUMBER TABLE (ORIENTATION SHOWN ON PCB LAYOUT IS FOR 1469492-2)
- 4 ANNULAR RING PLATED AROUND GUIDE PIN MOUNTING HOLE ON TOP AND BOTTOM SIDE OF BOARD
- 5 FINISH:
 3.81µm MINIMUM SILVER IN CONTACT AREA
 OVER NICKEL OVER COPPER ALL OVER

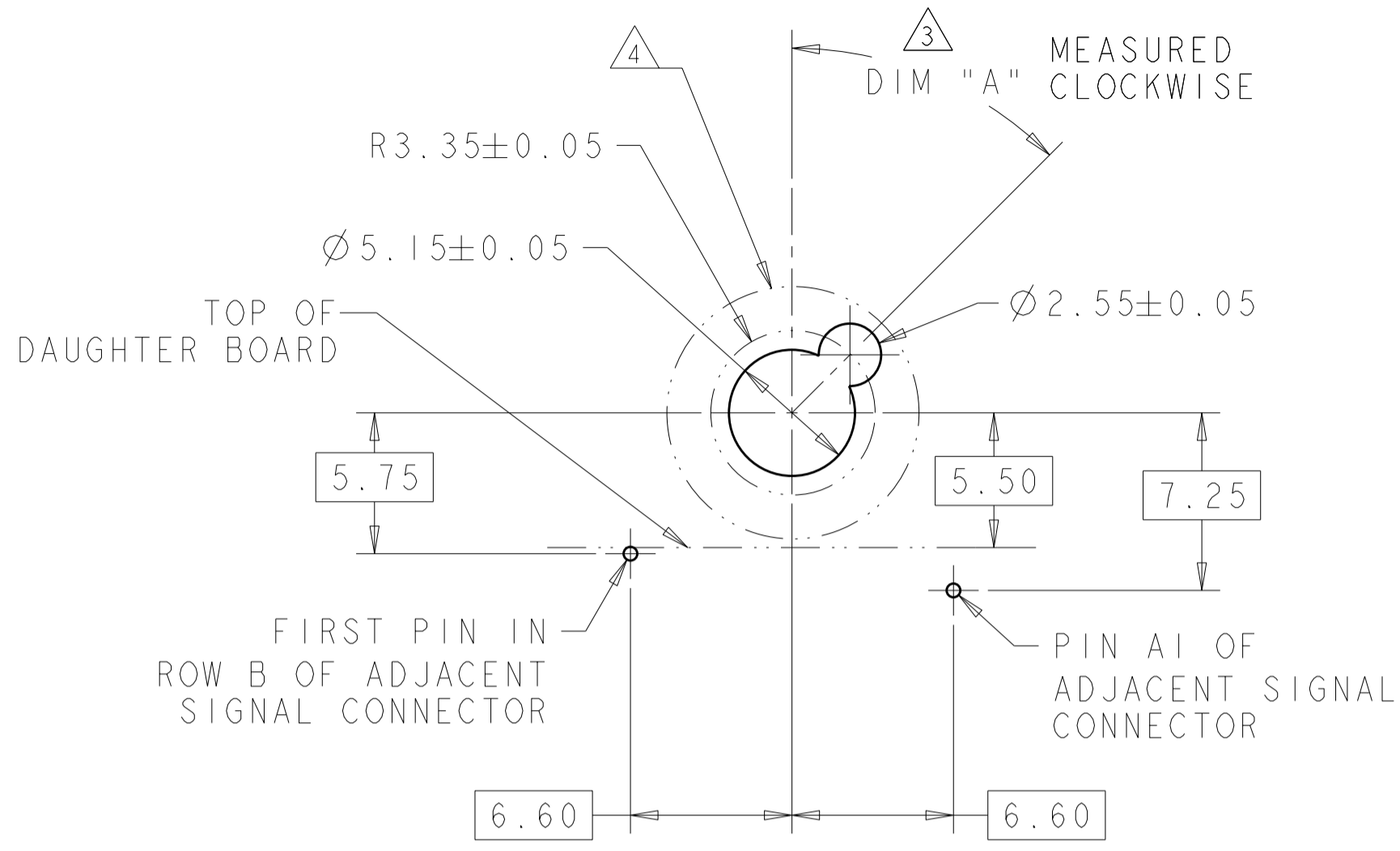


FINISH	DIM "G"	PART NUMBER
-	5.70	2-1469491-4 2
-	4.20	2-1469491-3 2
-	2.60	2-1469491-2 2
5	5.70	1-1469491-4
5	4.20	1-1469491-3
5	2.60	1-1469491-2
-	5.70	1469491-4 2
-	4.20	1469491-3 2
-	2.60	1469491-2 2

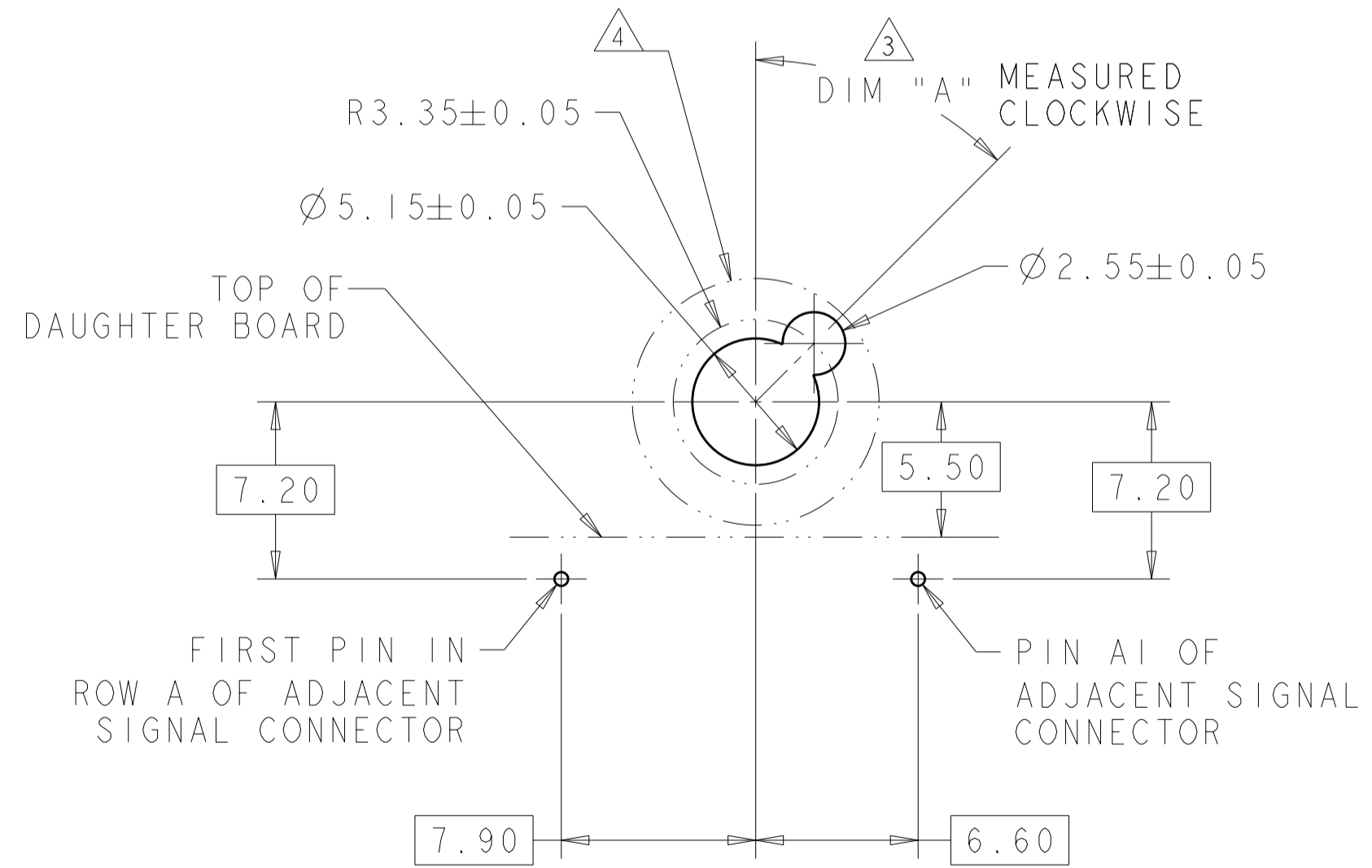
THIS DRAWING IS A CONTROLLED DOCUMENT.		DWN R.TREA 24FEB2004	TE Connectivity	
DIMENSIONS: mm		CHK B.PATERSON 24FEB2004		
TOLERANCES UNLESS OTHERWISE SPECIFIED:		APVD G.GRIFFITH 24FEB2004	NAME KEYED GUIDE PIN, DIE CAST BACKPLANE CONNECTOR, MULTIGIG, THREADED POST	
0 PLC ± 1 PLC ±0.5 2 PLC ±.13 3 PLC ±0.013 4 PLC ± ANGLES ± FINISH ±		PRODUCT SPEC 108-2072	SIZE CAGE CODE DRAWING NO	
MATERIAL 1		APPLICATION SPEC 114-13056	A200779C-1469491	
FINISH 2		WEIGHT -	RESTRICTED TO -	
CUSTOMER DRAWING		SCALE 5:1	SHEET 1 OF 2 REV B2	

THIS DRAWING IS UNPUBLISHED. RELEASED FOR PUBLICATION 20
 © COPYRIGHT 20 BY - ALL RIGHTS RESERVED.

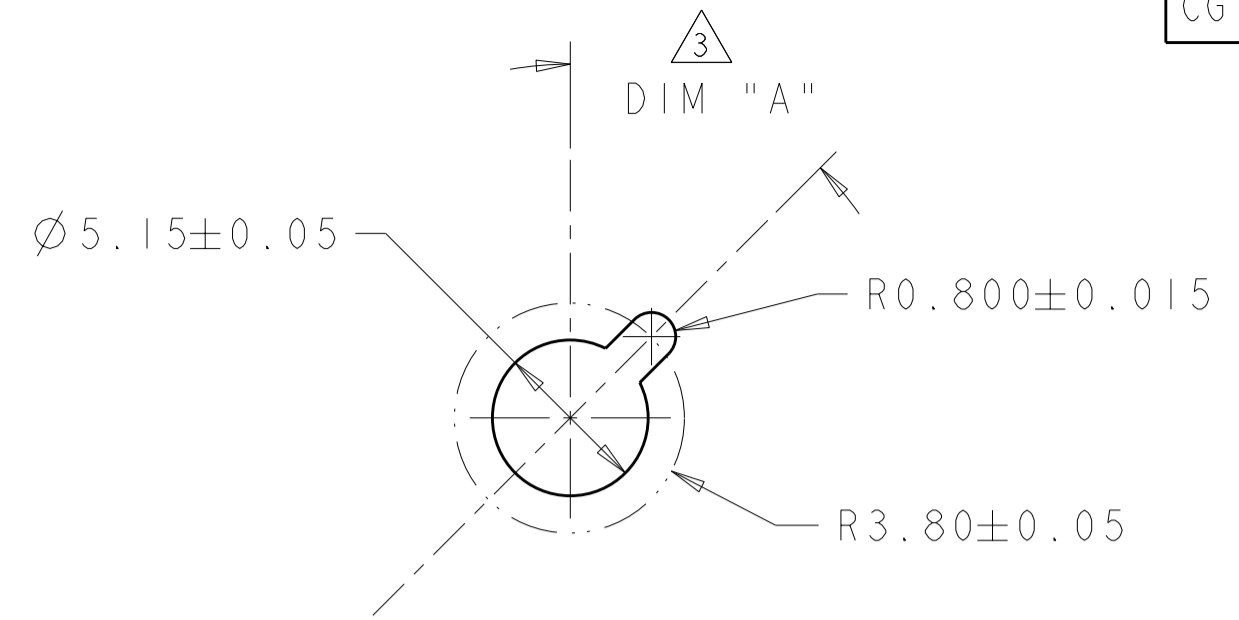
LOC	DIST	REVISIONS			
P	LTR	DESCRIPTION	DATE	DWN	APVD
CG	00	SEE SHEET 1			



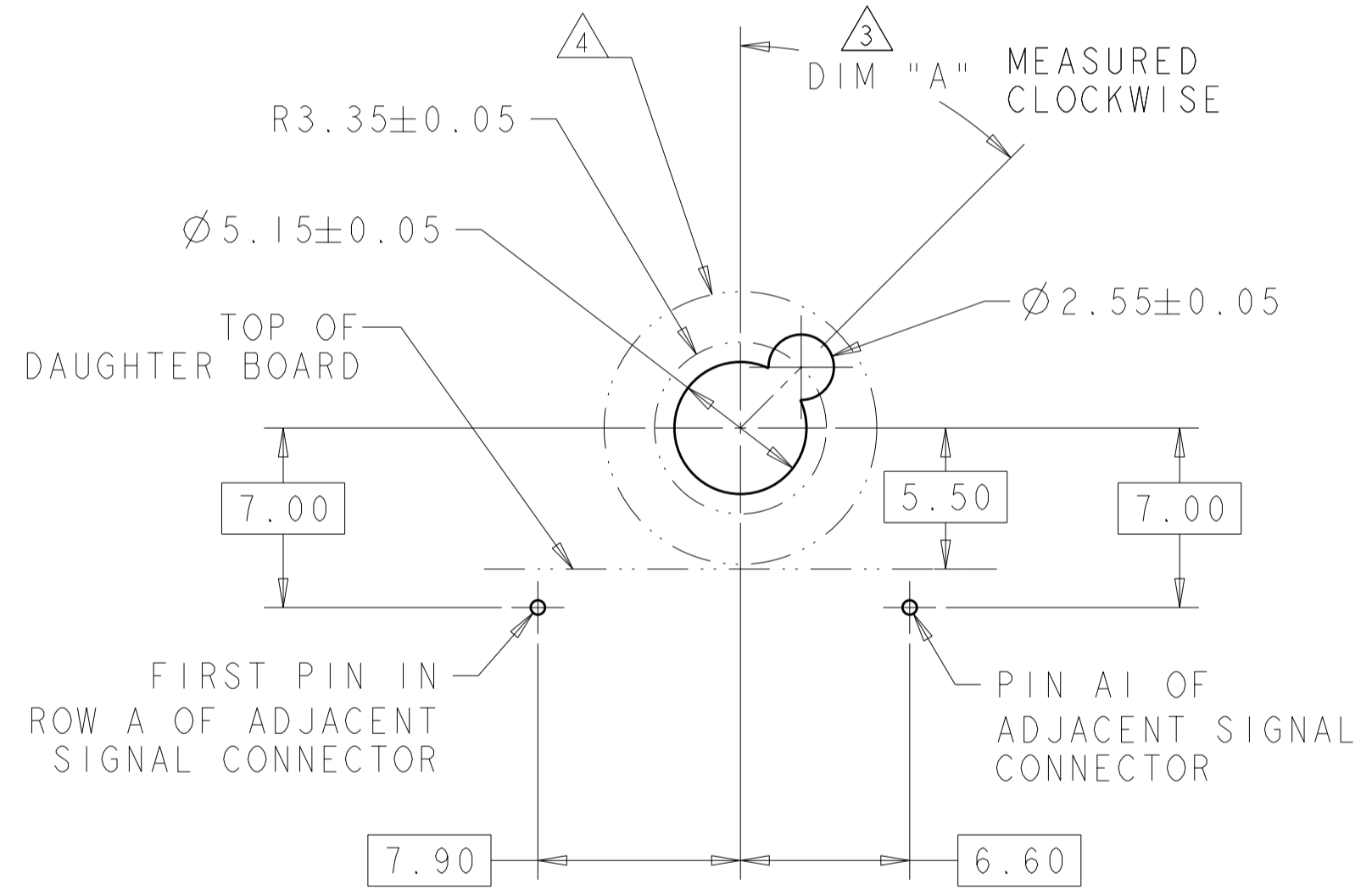
TIER 1
 GUIDE PIN FOOTPRINT
 (20.3 & 25.4mm SIGNAL MODULES)
 SCALE 4:1



TIER 2
 GUIDE PIN FOOTPRINT
 (20.3mm SIGNAL MODULES)
 SCALE 4:1



ALTERNATE PCB LAYOUT
 FOR GUIDE POST
 SCALE 4:1



TIER 2
 GUIDE PIN FOOTPRINT
 (25.4mm SIGNAL MODULES)
 SCALE 4:1

-	-	-
-	-	-
-	-	-
-	-	-
-	-	-
-	-	-
5	-	1-1469492-9
5	315°	1-1469492-8
5	270°	1-1469492-7
5	90°	1-1469492-3
5	45°	1-1469492-2
5	0°	1-1469492-1
-	-	-
-	-	-
-	-	-
-	-	-
-	-	-
FINISH	DIM "A"	20.3mm GUIDE MODULE
MATING GUIDE MODULE 3		

THIS DRAWING IS A CONTROLLED DOCUMENT.

DWN	R. TREA	24FEB2004	TE Connectivity KEYED GUIDE PIN, DIE CAST BACKPLANE CONNECTOR, MULTIGIG, THREADED POST
CHK	B. PATERSON	24FEB2004	
APVD	G. GRIFFITH	24FEB2004	
PRODUCT SPEC	108-2072		
MATERIAL			SIZE: A2 CAGE CODE: 00779 DRAWING NO: C-1469491 RESTRICTED TO: - SCALE: 1:1 SHEET 2 OF 2 REV B2

APPLICATOR SPEC: 114-13056
 WEIGHT: -
 CUSTOMER DRAWING

X-ON Electronics

Largest Supplier of Electrical and Electronic Components

Click to view similar products for [High Speed/Modular Connectors](#) category:

Click to view products by [TE Connectivity](#) manufacturer:

Other Similar products are found below :

[650827-1](#) [74040-1346](#) [1410191-1](#) [1410368-3](#) [1410964-2](#) [1410326-3](#) [1410367-3](#) [1410971-4](#) [1467833-1](#) [2000877-1](#) [2000878-1](#) [2041314-1](#)
[2065387-1](#) [2187307-1](#) [163P](#) [1934290-1](#) [2000875-1](#) [2065917-1](#) [2102736-2](#) [FSR-40](#) [2169868-2](#) [22354-8](#) [437-5040-000](#) [5-1393565-0](#) [039-](#)
[0246-000](#) [0761601016](#) [0784461022](#) [10123159-12ELF](#) [030-2415-003/100 PK](#) [030-7380-004](#) [030-2494-001](#) [532939-1](#) [5532901-3](#) [3-1469268-](#)
[7](#) [74748-102LF](#) [73670-0247](#) [10041743-101LF](#) [10066670-100002LF](#) [1-533915-1](#) [249-4515-000](#) [7-1469373-3](#) [DL2-2J/S](#) [2000713-8](#)
[2000713-7](#) [10124313-101LF](#) [3011-21](#) [757105208](#) [EBTF-4-10-2.0-S-RA-1](#) [430305-001](#) [4395800100](#)