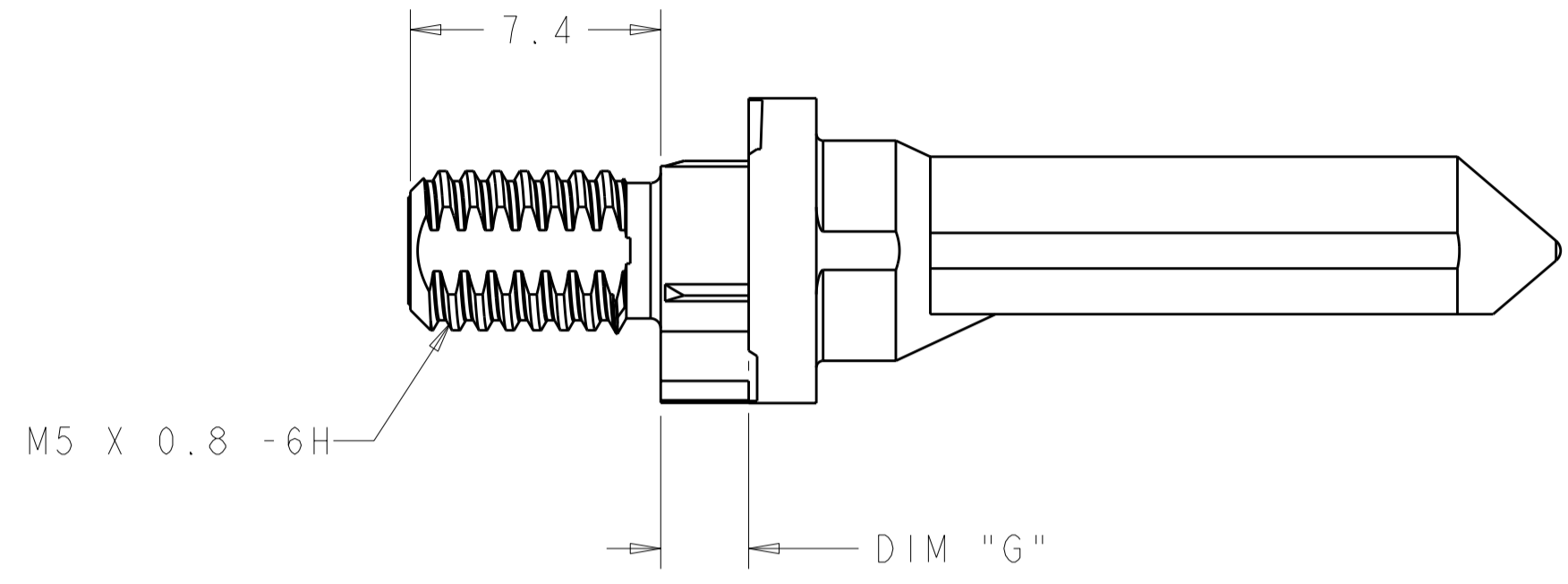
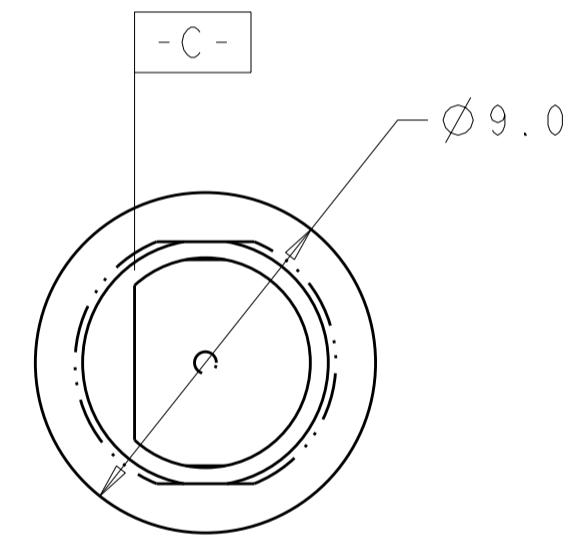
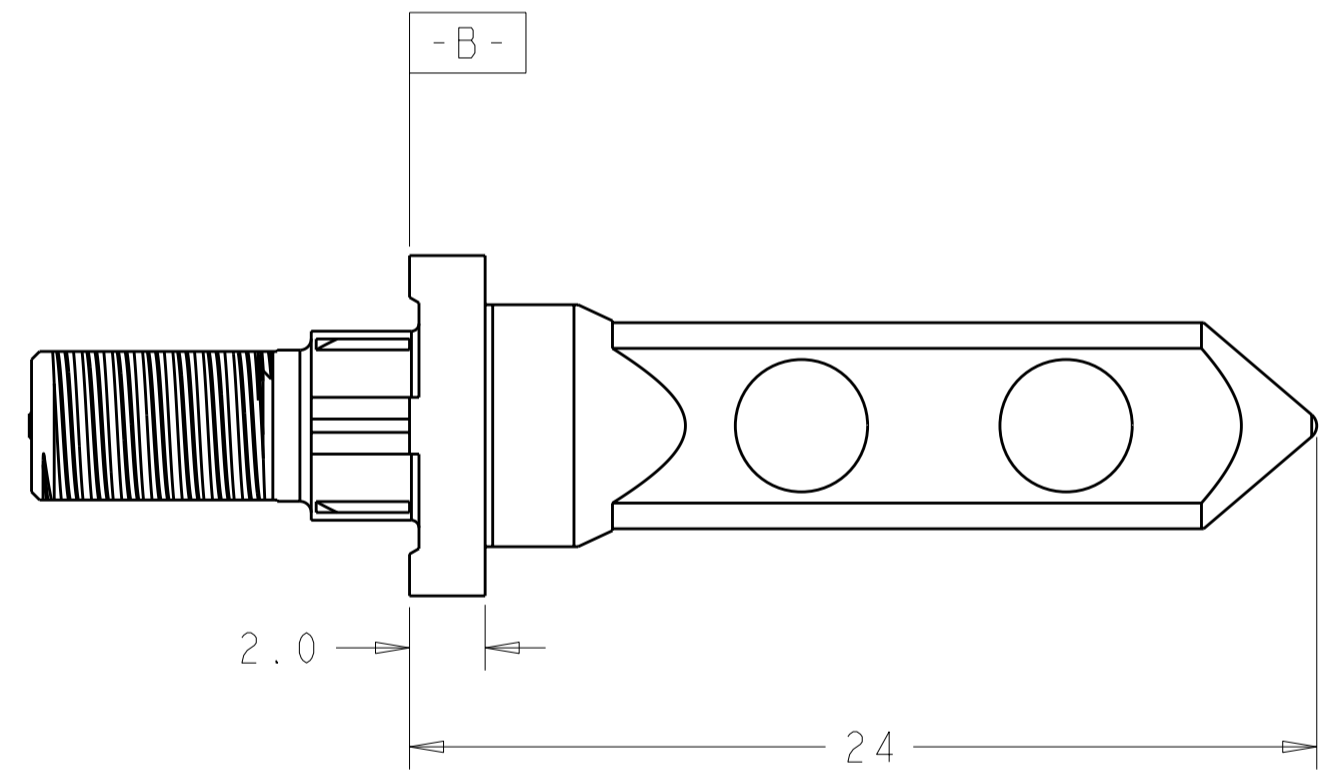
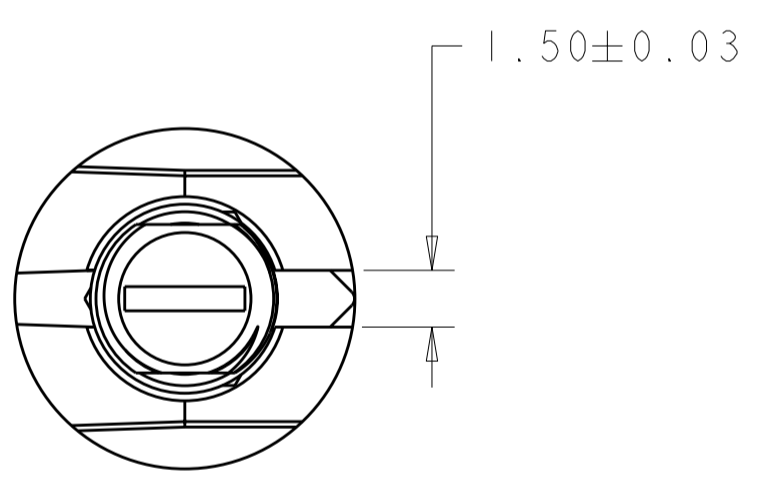


THIS DRAWING IS UNPUBLISHED. RELEASED FOR PUBLICATION 20  
 © COPYRIGHT 20 BY - ALL RIGHTS RESERVED.

LOC		DIST		REVISIONS			
P	LTR	DESCRIPTION	DATE	DWN	APVD		
CG	00	B2	REVISD PER ECO-11-005027	14MAR2011	RK	HMR	



- 1 MATERIAL: ZINC ALLOY
- 2 OBSOLETE PART NUMBER
- 3 KEY HOLE ORIENTATION (DIM A) PER MATING GUIDE MODULE PART NUMBER TABLE (ORIENTATION SHOWN ON PCB LAYOUT IS FOR 1469492-2)
- 4 ANNULAR RING PLATED AROUND GUIDE PIN MOUNTING HOLE ON TOP AND BOTTOM SIDE OF BOARD
- 5 FINISH:  
3.81µm MINIMUM SILVER IN CONTACT AREA  
OVER NICKEL OVER COPPER ALL OVER

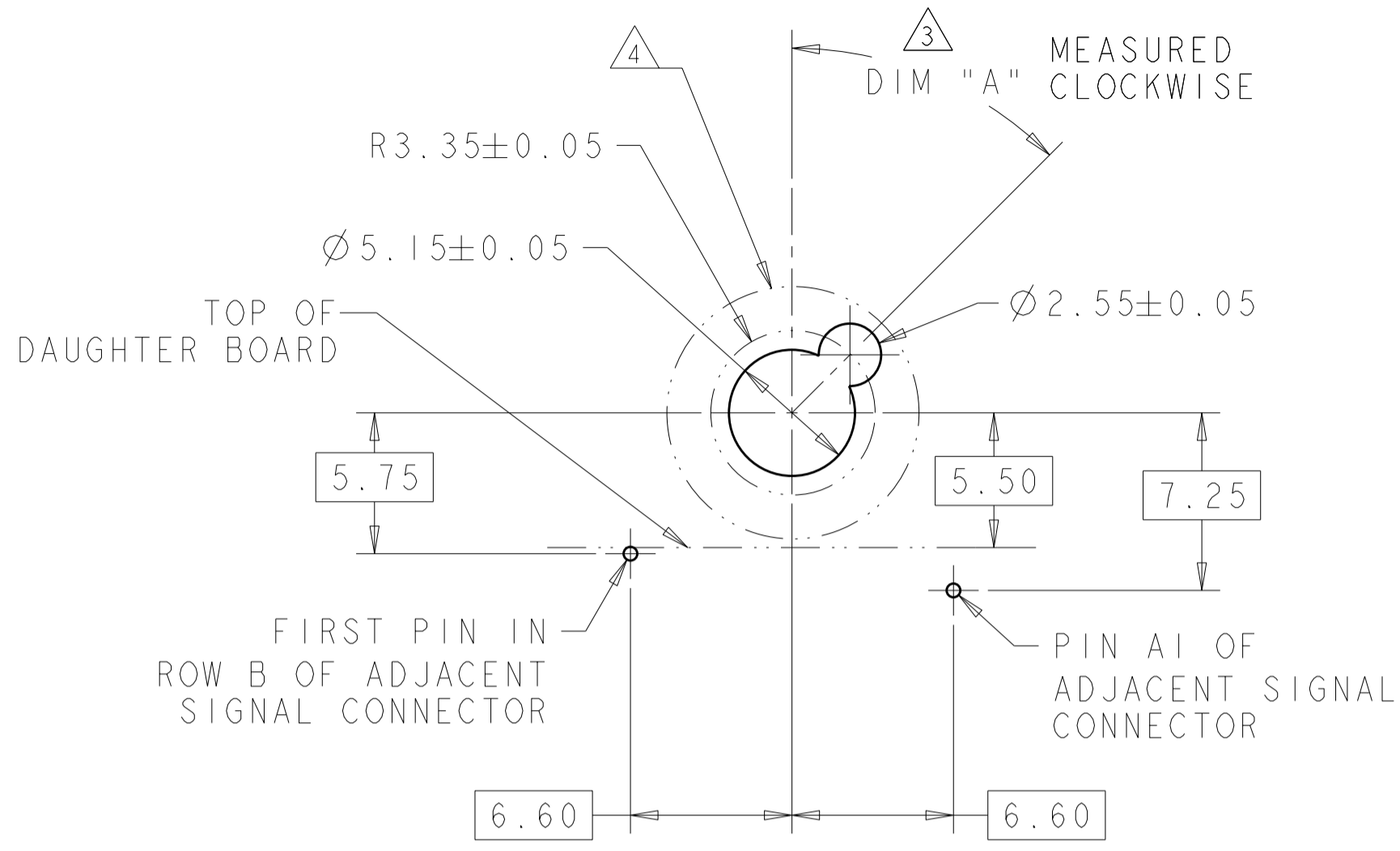


-	5.70	2-1469491-4	2
-	4.20	2-1469491-3	2
-	2.60	2-1469491-2	2
5	5.70	1-1469491-4	
5	4.20	1-1469491-3	
5	2.60	1-1469491-2	
-	5.70	1469491-4	2
-	4.20	1469491-3	2
-	2.60	1469491-2	2
FINISH	DIM "G"	PART NUMBER	

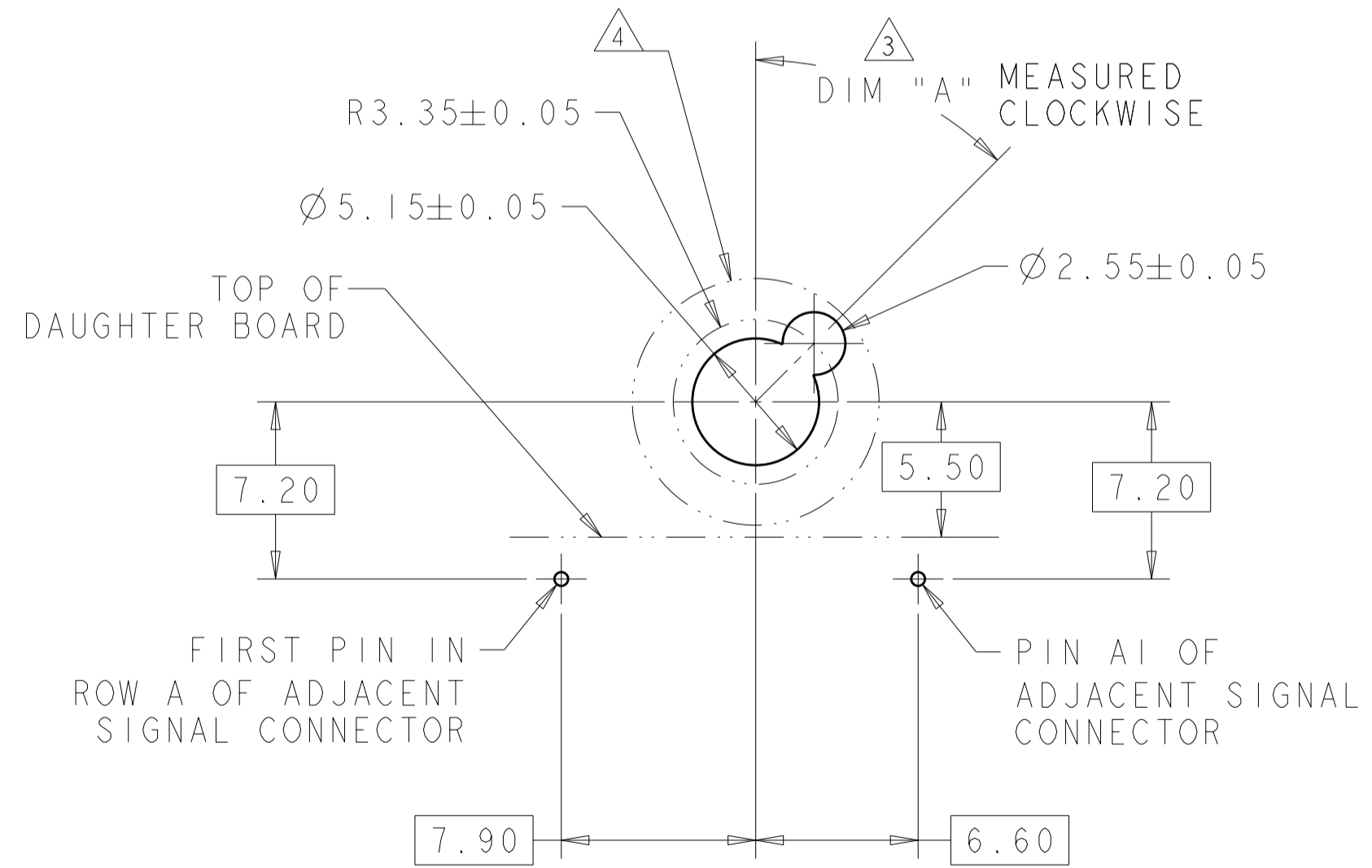
THIS DRAWING IS A CONTROLLED DOCUMENT.		DWN R. TREA 24FEB2004	TE Connectivity	
DIMENSIONS: mm		CHK B. PATERSON 24FEB2004		
TOLERANCES UNLESS OTHERWISE SPECIFIED:		APVD G. GRIFFITH 24FEB2004	NAME KEYED GUIDE PIN, DIE CAST BACKPLANE CONNECTOR, MULTIGIG, THREADED POST	
0 PLC ± 1 PLC ±0.5 2 PLC ±.13 3 PLC ±0.013 4 PLC ± ANGLES ± FINISH ±		PRODUCT SPEC 108-2072	SIZE A2	CAGE CODE 00779
MATERIAL 1		APPLICATION SPEC 114-13056	DRAWING NO C-1469491	RESTRICTED TO -
		WEIGHT -	SCALE 5:1	SHEET 1 OF 2
		CUSTOMER DRAWING	REV B2	

THIS DRAWING IS UNPUBLISHED. RELEASED FOR PUBLICATION 20  
 © COPYRIGHT 20 BY - ALL RIGHTS RESERVED.

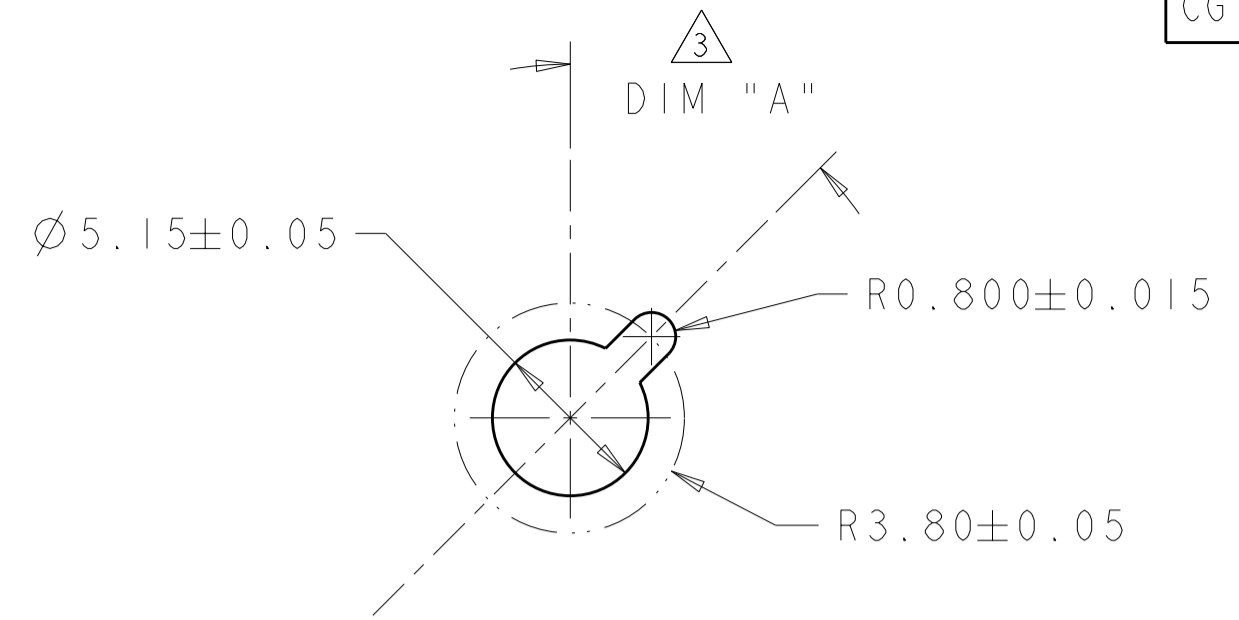
LOC	DIST	REVISIONS			
P	LTR	DESCRIPTION	DATE	DWN	APVD
CG	00	SEE SHEET 1			



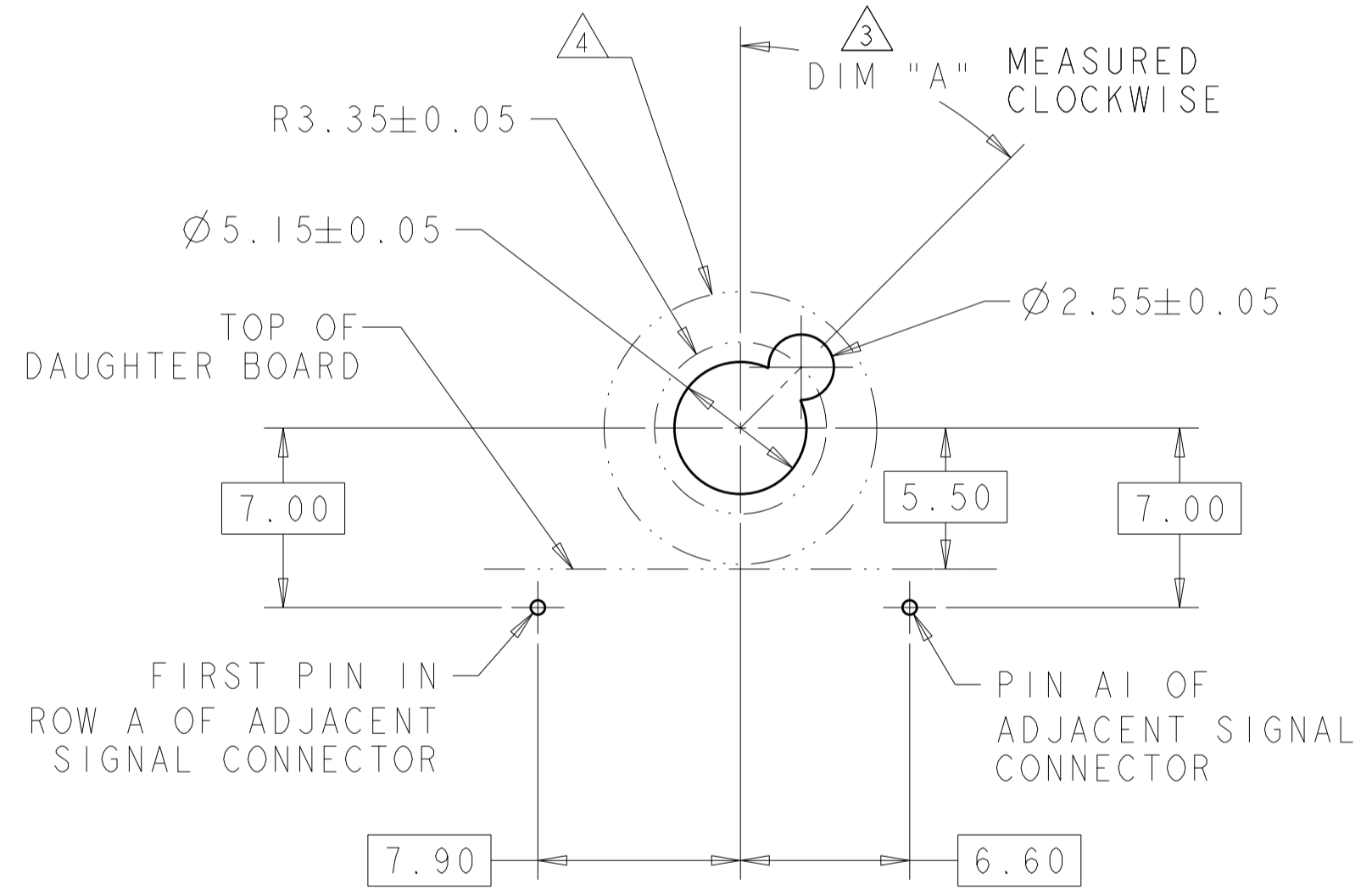
TIER 1  
 GUIDE PIN FOOTPRINT  
 (20.3 & 25.4mm SIGNAL MODULES)  
 SCALE 4:1



TIER 2  
 GUIDE PIN FOOTPRINT  
 (20.3mm SIGNAL MODULES)  
 SCALE 4:1



ALTERNATE PCB LAYOUT  
 FOR GUIDE POST  
 SCALE 4:1



TIER 2  
 GUIDE PIN FOOTPRINT  
 (25.4mm SIGNAL MODULES)  
 SCALE 4:1

-	-	-
-	-	-
-	-	-
-	-	-
-	-	-
-	-	-
5	-	1-1469492-9
5	315°	1-1469492-8
5	270°	1-1469492-7
5	90°	1-1469492-3
5	45°	1-1469492-2
5	0°	1-1469492-1
-	-	-
-	-	-
-	-	-
-	-	-
-	-	-
FINISH	DIM "A"	20.3mm GUIDE MODULE
MATING GUIDE MODULE 3		

THIS DRAWING IS A CONTROLLED DOCUMENT.

DIMENSIONS:	TOLERANCES UNLESS OTHERWISE SPECIFIED:	DWN	24FEB2004	TE Connectivity NAME KEYED GUIDE PIN, DIE CAST BACKPLANE CONNECTOR, MULTIGIG, THREADED POST SIZE CAGE CODE DRAWING NO A200779 C-1469491 RESTRICTED TO -
mm	0 PLC ±	CHK	24FEB2004	
	1 PLC ±0.5	APVD	24FEB2004	
	2 PLC ±.13	PRODUCT SPEC	108-2072	
	3 PLC ±0.013	APPLICATION SPEC	114-13056	
	4 PLC ±	WEIGHT	-	
MATERIAL	FINISH	CUSTOMER DRAWING	SCALE 1:1	SHEET 2 OF 2

## X-ON Electronics

Largest Supplier of Electrical and Electronic Components

*Click to view similar products for [High Speed/Modular Connectors](#) category:*

*Click to view products by [TE Connectivity](#) manufacturer:*

Other Similar products are found below :

[650827-1](#) [74040-1346](#) [1410191-1](#) [1410368-3](#) [1410964-2](#) [1410326-3](#) [1410367-3](#) [1410971-4](#) [1467833-1](#) [2000877-1](#) [2000878-1](#) [2041314-1](#)  
[2065387-1](#) [2187307-1](#) [163P](#) [1934290-1](#) [2000875-1](#) [2065917-1](#) [2102736-2](#) [FSR-40](#) [2169868-2](#) [22354-8](#) [437-5040-000](#) [5-1393565-0](#) [039-](#)  
[0246-000](#) [0740618502](#) [0761601016](#) [0784461022](#) [10123159-12ELF](#) [030-2415-003/100 PK](#) [030-7380-004](#) [030-2494-001](#) [532939-1](#) [5532901-](#)  
[3](#) [3-1469268-7](#) [74748-102LF](#) [10041743-101LF](#) [10066670-100002LF](#) [1-533915-1](#) [249-4515-000](#) [7-1469373-3](#) [DL2-2J/S](#) [2000713-8](#)  
[2000713-7](#) [10124313-101LF](#) [3011-21](#) [757105208](#) [430305-001](#) [4395800100](#) [8140115](#)