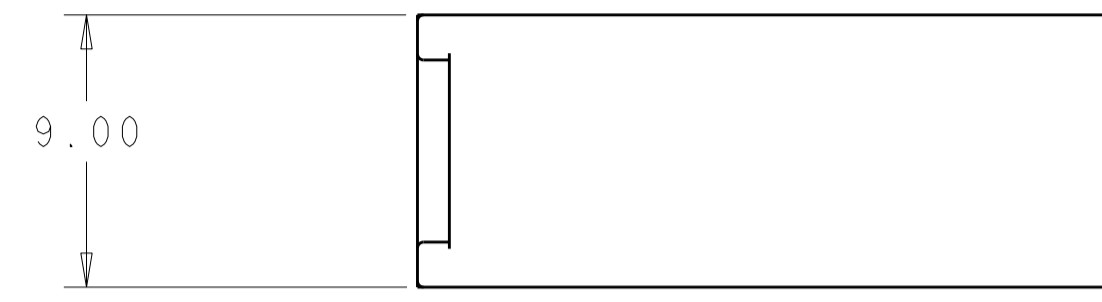


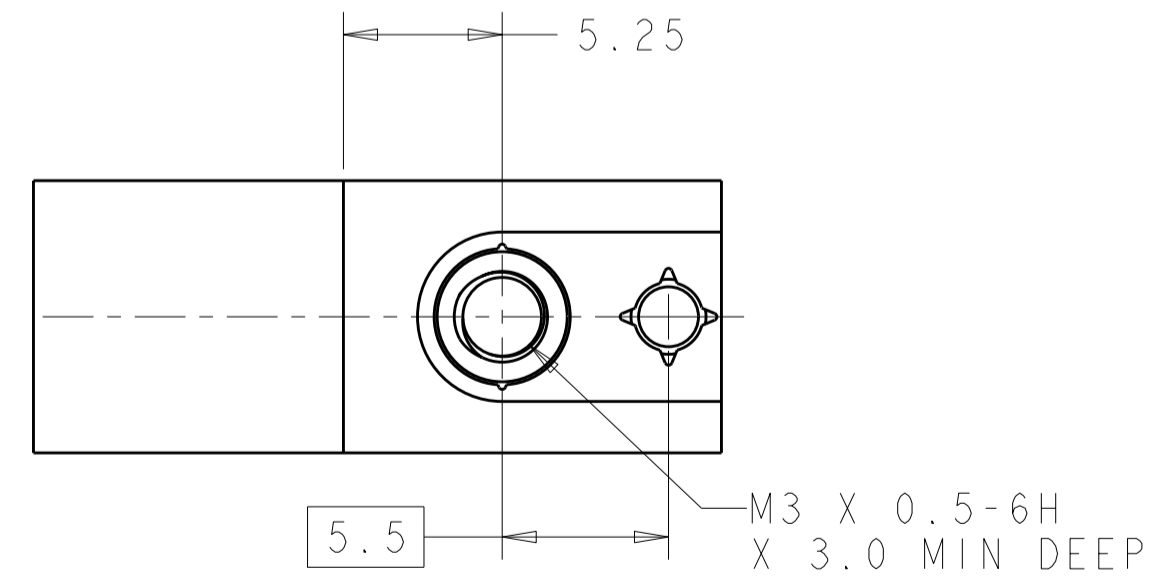
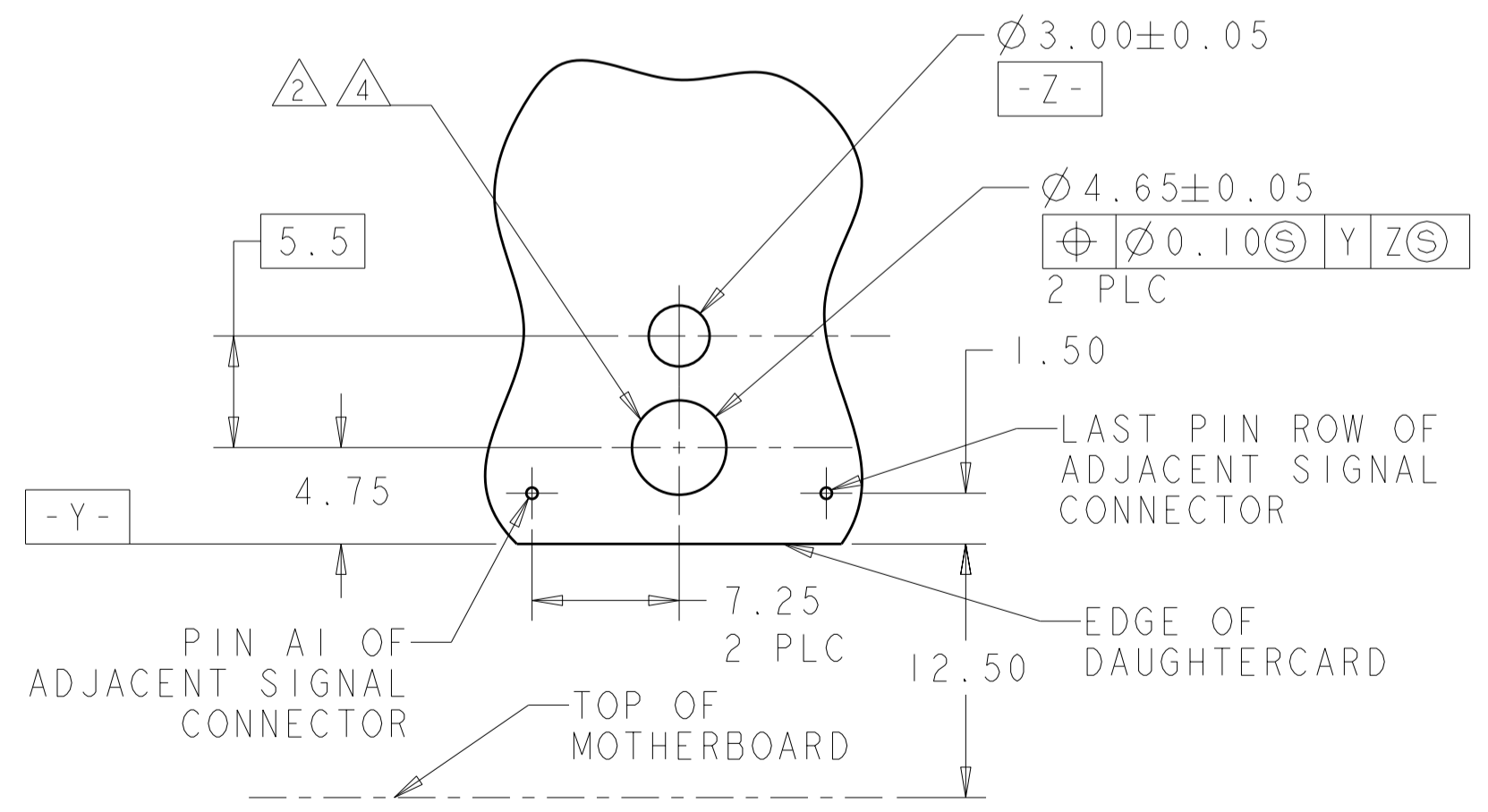
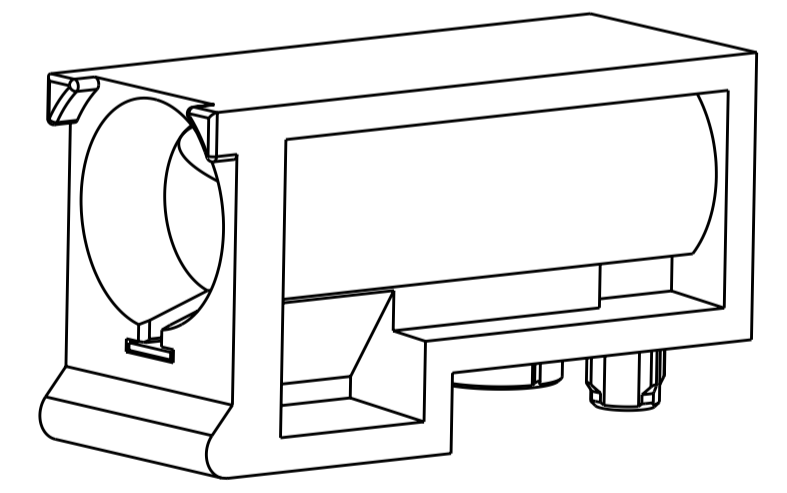
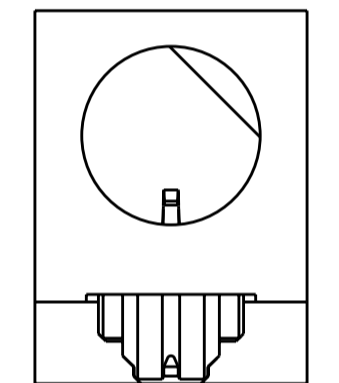
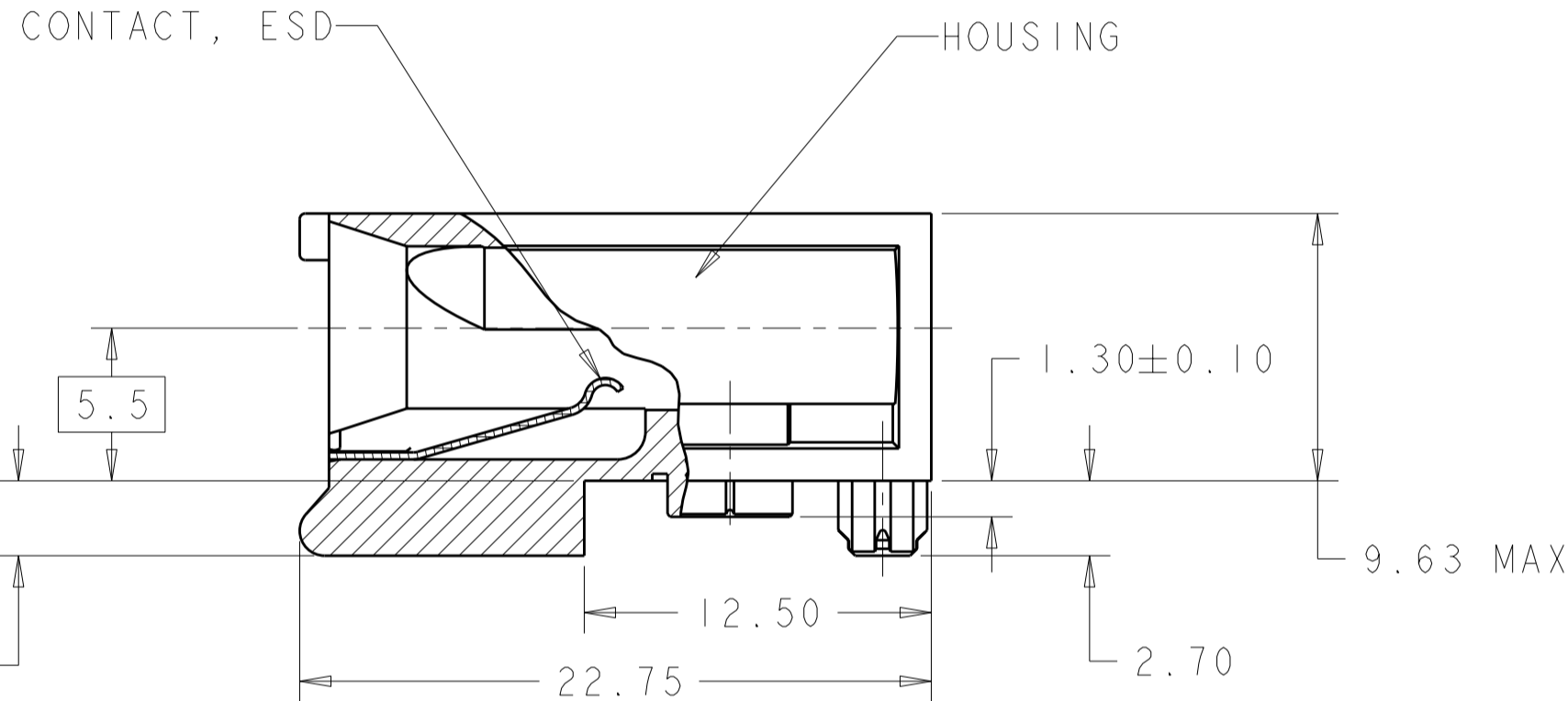
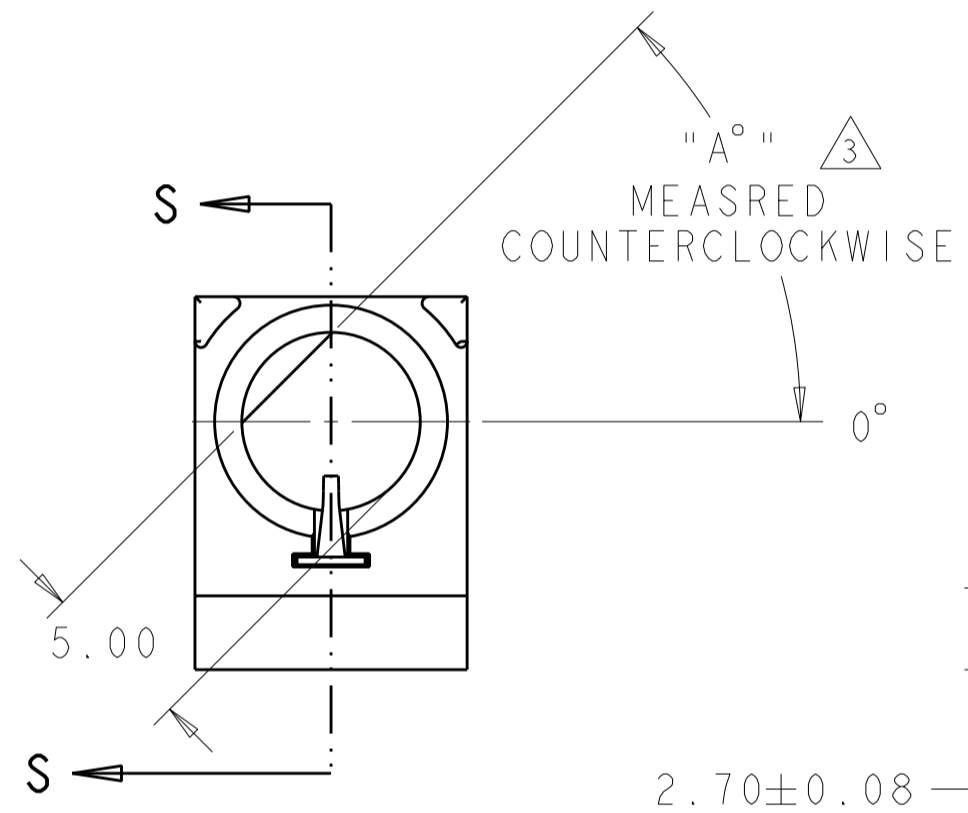
THIS DRAWING IS UNPUBLISHED. RELEASED FOR PUBLICATION 20
 © COPYRIGHT 20 BY - ALL RIGHTS RESERVED.

LOC	DIST	REVISIONS			
P	LTR	DESCRIPTION	DATE	DWN	APVD
AD	00	E	REVISED PER ECO-11-016268	30AUG2011	HMR AS

PART NO.	"A°"	HOUSING	CONTACT
1-1469492-1	0°	△5	△6
1-1469492-2	45°	△5	△6
1-1469492-3	90°	△5	△6
1-1469492-7	270°	△5	△6
1-1469492-8	315°	△5	△6
1-1469492-9	△7	△5	△6



- △1 MATERIAL: HOUSING: ZINC ALLOY DIE CASTING, ZAMAK 3; CONTACT: PHOSPHOR BRONZE
- △2 HOLE FOR POSITIVE RETENTION SCREW.
- △3 DASH NUMBERS INDICATE KEY ORIENTATION (P/N 1469492-2 SHOWN ON DRAWING)
- △4 GROUND PAD Ø5mm ON BOTH SIDE OF PCB.
- △5 FINISH: SILVER OVER NICKEL OVER COPPER
- △6 CONTACT FINISH: 3.81µm MINIMUM SILVER IN CONTACT AREA OVER 1.27µm MINIMUM NICKEL ALL OVER
- △7 GUIDE MODULE W/O KEYING; GUIDE PIN 1469491 SERIES MUST BE ORIENTED TO PROVIDE PROPER ESD PERFORMANCE



1469492
PART NO

THIS DRAWING IS A CONTROLLED DOCUMENT.		DWN R.TREA 24FEB2004	STE TE Connectivity	
DIMENSIONS: mm		CHK B.PATERSON 24FEB2004		
TOLERANCES UNLESS OTHERWISE SPECIFIED:		APVD G.GRIFFITH 24FEB2004	NAME MULTIGIG GUIDE MODULE/STANDOFF, RIGHT ANGLE, 20.3mm, DAUGHTERCARD 7ROW	
0 PLC ±0.5		PRODUCT SPEC 108-2072	SIZE CAGE CODE DRAWING NO RESTRICTED TO	
1 PLC ±0.13		APPLICATION SPEC 114-13056	A200779C-1469492	
2 PLC ±0.1		WEIGHT -	SCALE 4:1 SHEET OF REV E	
3 PLC ±0.0001		CUSTOMER DRAWING		
4 PLC ANGLES ±				
FINISH △5 △6				

X-ON Electronics

Largest Supplier of Electrical and Electronic Components

Click to view similar products for [High Speed/Modular Connectors](#) category:

Click to view products by [TE Connectivity](#) manufacturer:

Other Similar products are found below :

[650827-1](#) [74040-1346](#) [1410191-1](#) [1410368-3](#) [1410964-2](#) [1410326-3](#) [1410367-3](#) [1410971-4](#) [1467833-1](#) [2000877-1](#) [2000878-1](#) [2041314-1](#)
[2065387-1](#) [2187307-1](#) [163P](#) [1934290-1](#) [2000875-1](#) [2065917-1](#) [2102736-2](#) [FSR-40](#) [2169868-2](#) [22354-8](#) [437-5040-000](#) [5-1393565-0](#) [039-](#)
[0246-000](#) [0761601016](#) [0784461022](#) [10123159-12ELF](#) [030-2415-003/100 PK](#) [030-7380-004](#) [030-2494-001](#) [532939-1](#) [5532901-3](#) [3-1469268-](#)
[7](#) [74748-102LF](#) [73670-0247](#) [10041743-101LF](#) [10066670-100002LF](#) [1-533915-1](#) [249-4515-000](#) [7-1469373-3](#) [DL2-2J/S](#) [2000713-8](#)
[2000713-7](#) [10124313-101LF](#) [3011-21](#) [757105208](#) [EBTF-4-10-2.0-S-RA-1](#) [430305-001](#) [4395800100](#)