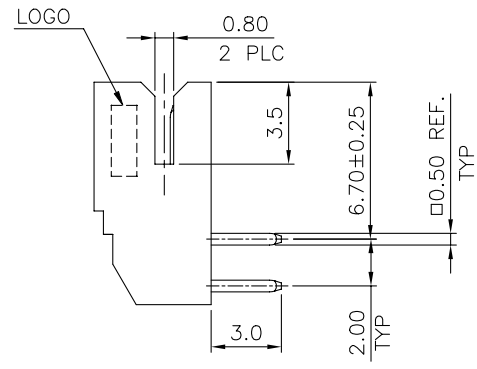
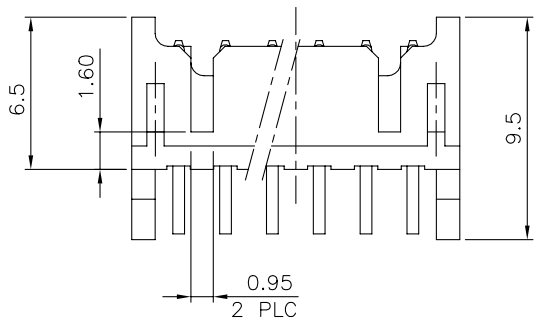
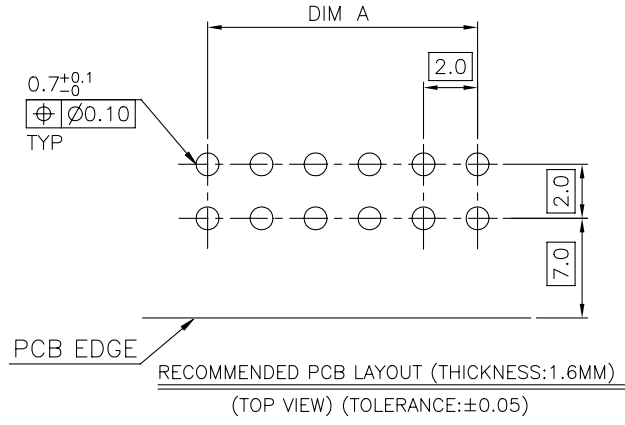
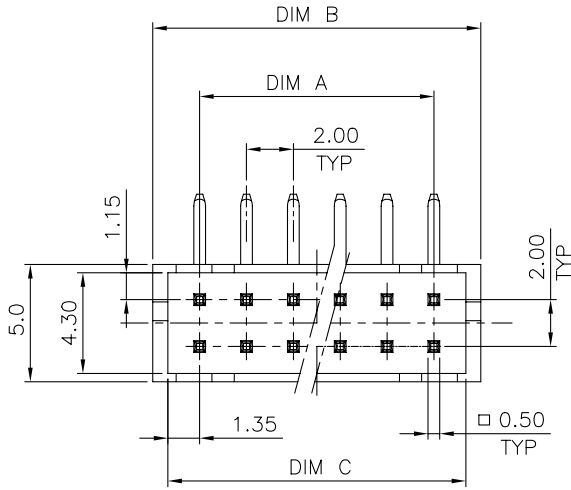


THIS DRAWING IS UNPUBLISHED. RELEASED FOR PUBLICATION AUG. 2006.  
 © COPYRIGHT 2009 BY TYCO ELECTRONICS CORPORATION. ALL RIGHTS RESERVED.

REVISIONS				
P	LTR	DESCRIPTION	DATE	APVD
F5		ECR-20-009643	20JUL2020	T.Q W.H



DIM C	DIM B	DIM A	POS.	PART NUMBER
32.74	34.0	30.0	32	3-1470108-2
30.74	32.0	28.0	30	3-1470108-0
28.74	30.0	26.0	28	2-1470108-8
26.74	28.0	24.0	26	2-1470108-6
24.74	26.0	22.0	24	2-1470108-4
22.74	24.0	20.0	22	2-1470108-2
20.74	22.0	18.0	20	2-1470108-0
REACTIVE	18.74	20.0	18	1-1470108-8
	16.74	18.0	16	1-1470108-6
	14.74	16.0	14	1-1470108-4
	12.74	14.0	12	1-1470108-2
	10.74	12.0	10	1-1470108-0
	8.74	10.0	8	1470108-8
	6.74	8.0	6	1470108-6

NOTE:

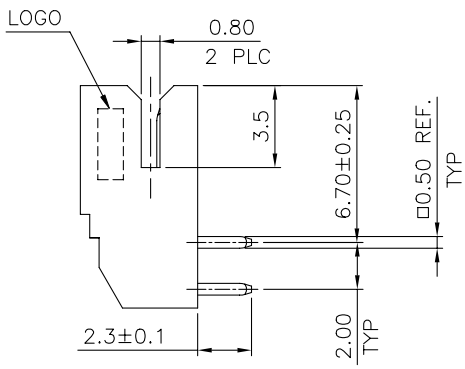
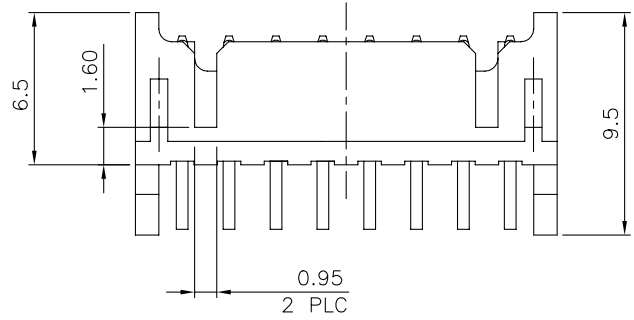
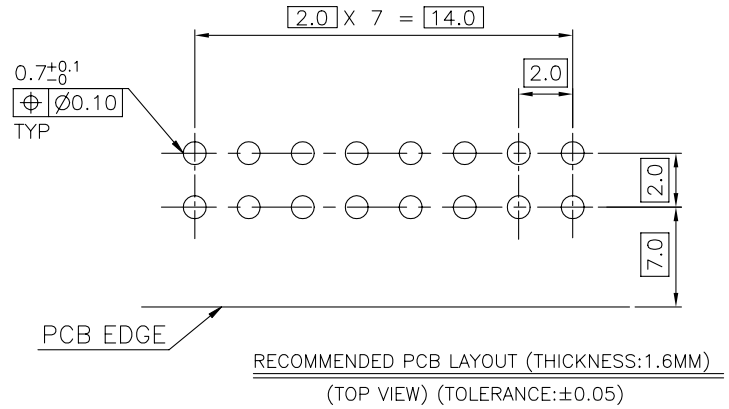
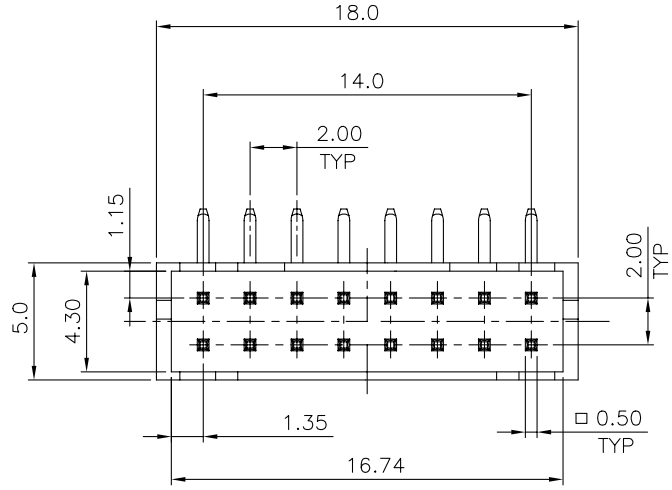
- MATERIAL:  
HOUSING: THERMOPLASTIC UL94V-0, NATURAL COLOR.  
CONTACT: BRASS, THICKNESS=0.20MM.
- FINISH:  
CONTACT: 100u" MIN. TIN PLATED ON CONTACT AREA,  
30u" MIN. NICKEL UNDERPLATED OVER ALL.
- WAVE SOLDER CAPABLE TO 240°C PER TEST SPEC.  
109-202, CONDITION B.

THIS DRAWING IS A CONTROLLED DOCUMENT.		DWN J. LEE 24OCT2005	TE Connectivity	
DIMENSIONS: MM		CHK S. HOU 24OCT2005		
TOLERANCES UNLESS OTHERWISE SPECIFIED:		APVD W.J. KE 24OCT2005	NAME	
0 PLC ± - 1 PLC ± 0.3 2 PLC ± 0.2 3 PLC ± 0.1 4 PLC ± - ANGLES ± 3°		PRODUCT SPEC 108-57217	2.0MM PITCH HEADER, DIP, RIGHT ANGLE TYPE	
MATERIAL SEE NOTE		QUALIFICATION TEST REPORT 501-57218	SIZE A3	RESTRICTED TO -
FINISH SEE NOTE		WEIGHT - GRAMS	CAGE CODE 00779	DRAWING NO C=1470108
CUSTOMER DRAWING			SCALE -	SHEET 1 of 3
			REV F5	

4 | 3 | 2 | 1

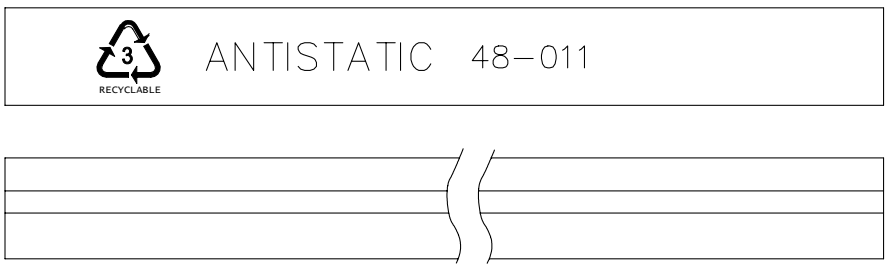
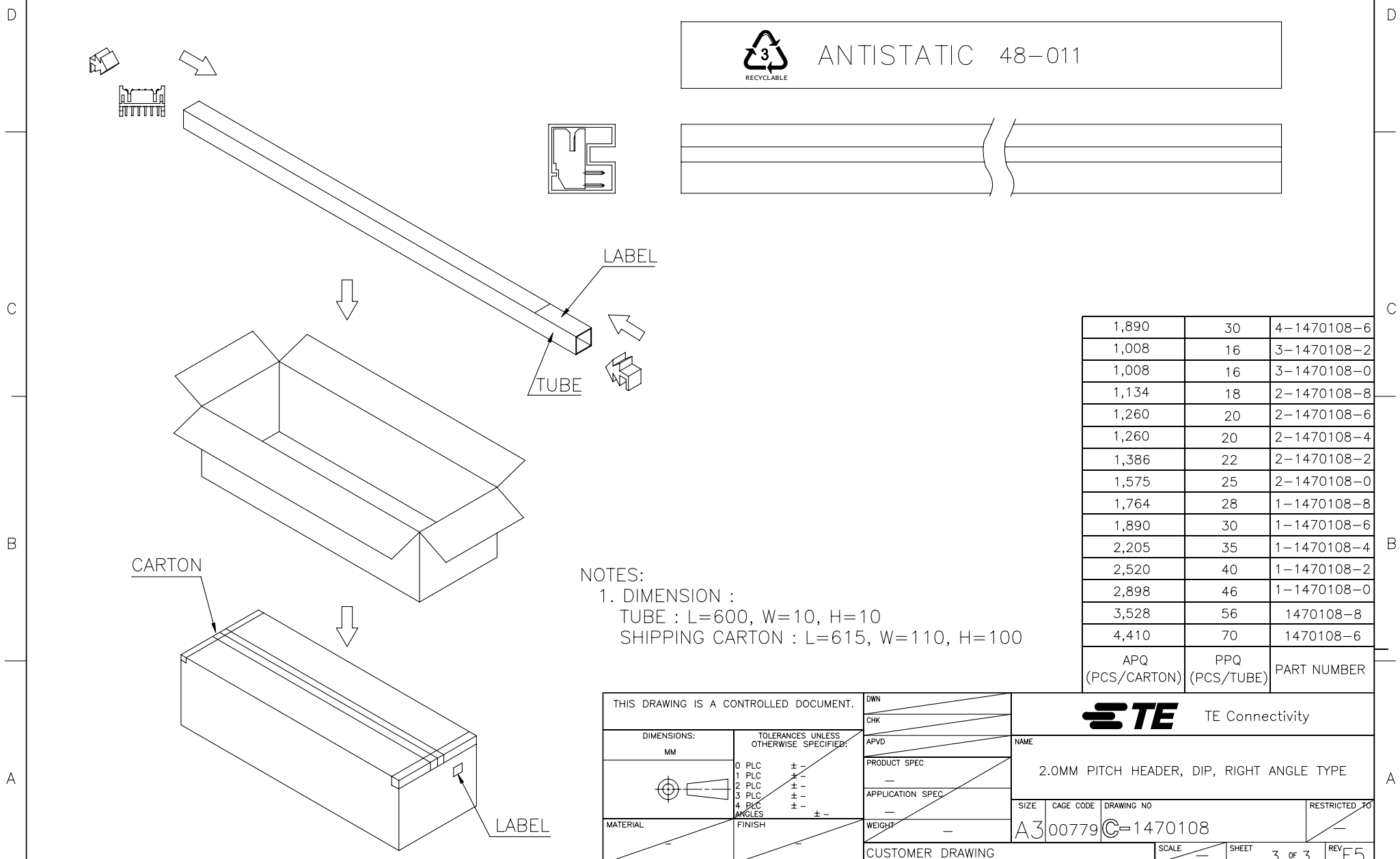
THIS DRAWING IS UNPUBLISHED. RELEASED FOR PUBLICATION AUG. 2006.  
 © COPYRIGHT 2009 BY TYCO ELECTRONICS CORPORATION. ALL RIGHTS RESERVED.

LOC		DIST		REVISIONS			
P	LTR	DESCRIPTION		DATE	DWN	APVD	
		SEE SHEET 1.					



16	4-1470108-6
POS.	PART NUMBER

THIS DRAWING IS A CONTROLLED DOCUMENT.		DWN	<b>TE</b> TE Connectivity		
DIMENSIONS: MM		CHK			
TOLERANCES UNLESS OTHERWISE SPECIFIED:		APVD	NAME		
0 PLC ± -		PRODUCT SPEC	2.0MM PITCH HEADER, DIP, RIGHT ANGLE TYPE		
1 PLC ± 0.3		APPLICATION SPEC	SIZE	CAGE CODE	DRAWING NO
2 PLC ± 0.2		WEIGHT	A3	00779	C=1470108
3 PLC ± 0.1		CUSTOMER DRAWING			RESTRICTED TO
4 PLC ± -		SCALE	SHEET 2 of 3		REV F5
ANGLES ± 3'					
MATERIAL	FINISH				
SEE SHEET 1.	SEE SHEET 1.				



NOTES:  
 1. DIMENSION :  
 TUBE : L=600, W=10, H=10  
 SHIPPING CARTON : L=615, W=110, H=100

1,890	30	4-1470108-6
1,008	16	3-1470108-2
1,008	16	3-1470108-0
1,134	18	2-1470108-8
1,260	20	2-1470108-6
1,260	20	2-1470108-4
1,386	22	2-1470108-2
1,575	25	2-1470108-0
1,764	28	1-1470108-8
1,890	30	1-1470108-6
2,205	35	1-1470108-4
2,520	40	1-1470108-2
2,898	46	1-1470108-0
3,528	56	1470108-8
4,410	70	1470108-6
APQ (PCS/CARTON)	PPQ (PCS/TUBE)	PART NUMBER

THIS DRAWING IS A CONTROLLED DOCUMENT.		DWN	<b>STE</b> TE Connectivity	
DIMENSIONS: MM		CHK		
TOLERANCES UNLESS OTHERWISE SPECIFIED:		APVD	NAME	
0 PLC ± -		PRODUCT SPEC	2.0MM PITCH HEADER, DIP, RIGHT ANGLE TYPE	
1 PLC ± -		APPLICATION SPEC	SIZE	RESTRICTED TO
2 PLC ± -		WEIGHT	A3	
3 PLC ± -		CUSTOMER DRAWING	CAGE CODE	DRAWING NO
4 PLC ± -		SCALE	00779	C=1470108
ANGLES ± -		SHEET	3 of 3	
MATERIAL		REV	F5	
FINISH				

## X-ON Electronics

Largest Supplier of Electrical and Electronic Components

*Click to view similar products for [Headers & Wire Housings](#) category:*

*Click to view products by [TE Connectivity](#) manufacturer:*

Other Similar products are found below :

[892-18-020-10-001101](#) [58102-G61-06LF](#) [582553-1](#) [0009485154](#) [009176003701906](#) [0050291907](#) [LY20-4P-DT1-P1E-BR](#) [02.125.8002.8](#)  
[609-3404](#) [61062-3](#) [61082-181009](#) [622-3653LF](#) [63453-116](#) [636-1030](#) [636-1427](#) [636-3427](#) [636-4007](#) [641938-9](#) [641991-4](#) [644827-2](#) [65817-010LF](#) [65817-015LF](#) [65863-015LF](#) [66207-023LF](#) [67095-007LF](#) [67601157](#) [68645-018](#) [68648-049](#) [70.362.1628.0](#) [70-4210](#) [70-4226B](#) [70-4853B](#) [707-5020](#) [707-5028](#) [71.350.2428.0](#) [71918-208LF](#) [71961-016LF](#) [733-134](#) [733-162](#) [754199-000](#) [760-3052](#) [787-8014-00](#) [79531-3000](#)  
[FCN-360C032-B](#) [FCN-367T-T012/H](#) [FCN-723D010/2](#) [80.063.4001.1](#) [800-90-001-10-001000](#) [800-90-010-10-002000](#) [801-43-002-10-013000](#)