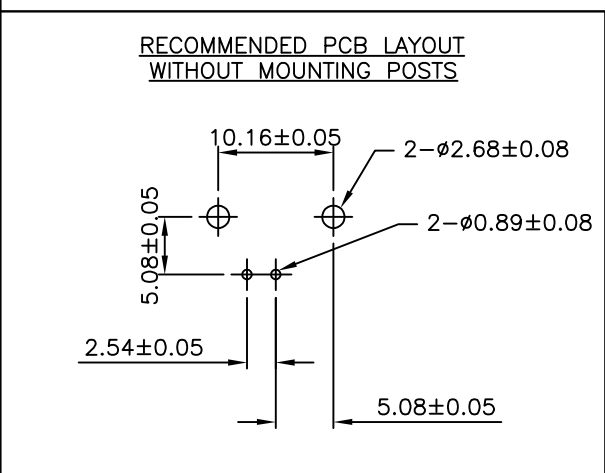
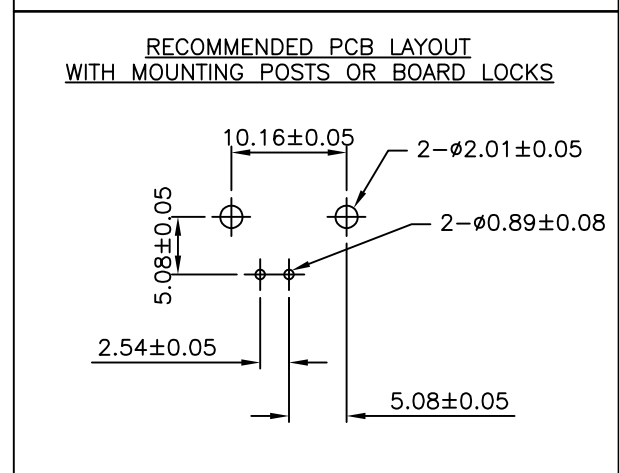
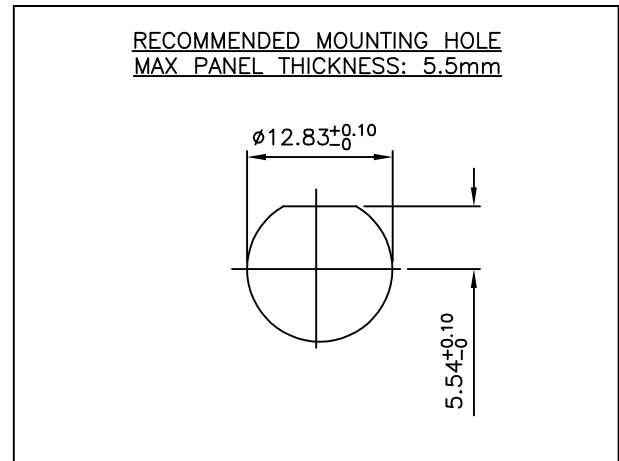
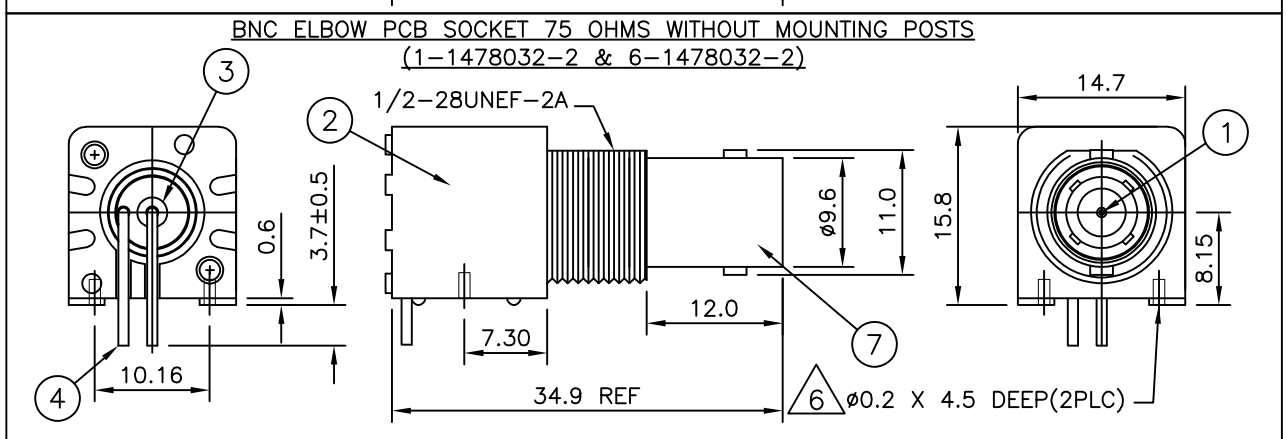
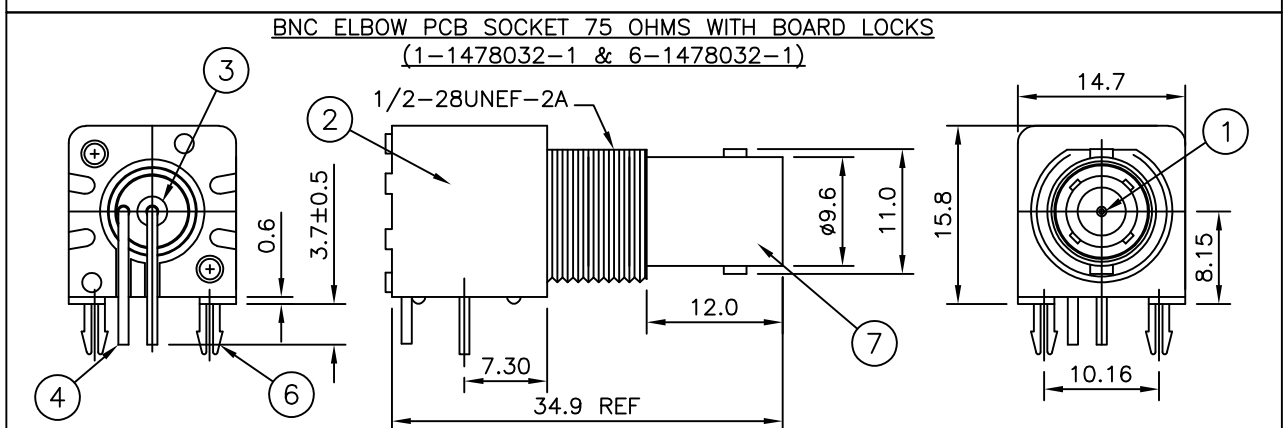
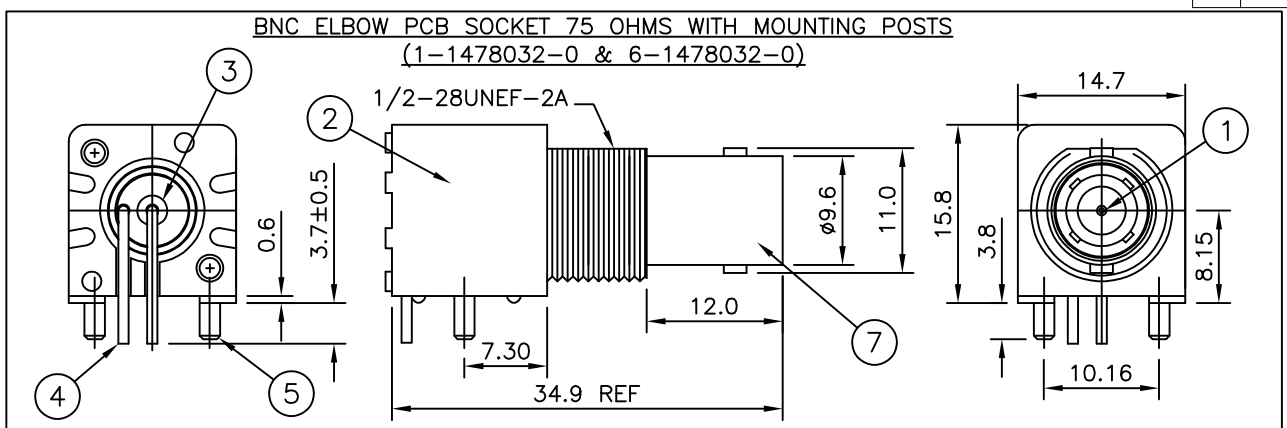


THIS DRAWING IS UNPUBLISHED. RELEASED FOR PUBLICATION AUGUST, 2005.  
 © COPYRIGHT 2005 By - ALL RIGHTS RESERVED.

LOC	DIST	REVISIONS			
P	LTR	DESCRIPTION	DATE	DWN	APVD
E	B	D1	REVISED PER ECO-11-005033	31MAR11	RK HMR
		E	ECO-12-014680	20Aug2012	TITAN MARTIN

- NOTES:**
- 1 SINGLE PACK IN ACCORDANCE WITH AMP SPEC 107-3275
  - 2 50 TRAY PACK IN ACCORDANCE WITH AMP SPEC 107-3275
  - 3 GOLD PLATING
  - 4 NICKEL PLATING
  - 5 TIN PLATING
  - 6 RECOMMENDED SELF-TAPPING SCREW 221108-4
  - 7 RECOMMENDED MOUNT NUT 1-1634816-0
  - 8 RECOMMENDED LOCKWASHER 1-1634817-0
  - 9 FOR TECHNICAL DATA REFER TO YOUR LOCAL TE CONNECTIVITY SALES OFFICE
  - 10. ALL DIMENSIONS ARE NOMINAL FOR REFERENCE ONLY UNLESS OTHERWISE STATED



		Obsolete	Obsolete	Obsolete						
1	1	1	1	1	1	1	ZINC DIECAST	△	BODY	7
-	-	2	2	-	-	-	BRASS	△	BOARD LOCK	6
-	-	-	-	2	2	-	BRASS	△	MOUNTING POST	5
1	1	1	1	1	1	-	BRASS	△	SOLDER TAIL	4
1	1	1	1	1	1	-	PE-606		INSULATOR	3
1	1	1	1	1	1	-	PBT WHITE		HOUSING	2
1	1	1	1	1	1	-	BRASS	△	CONTACT	1
6--2	1--2	6--1	1--1	6--0	1--0		MATERIAL		DESCRIPTION	ITEM
△	△	△	△	△	△		QUANTITY PER ASSY		PARTS LIST	

THIS DRAWING IS A CONTROLLED DOCUMENT.

DWN	RITA ZUO	05 Mar 09
CHK	ANSON MA	05 Mar 09
APVD	BOB ZHAO	05 Mar 09
PRODUCT SPEC	108-112000	
APPLICATION SPEC	-	
WEIGHT	-	

**STE** TE Connectivity

**BNC R/A INSULATED PCB SOCKET**  
75 OHM WHITE

SIZE	CAGE CODE	DRAWING NO	RESTRICTED TO
A3	00779	C-1478032	-

CUSTOMER DRAWING SCALE 1:1 SHEET 1 OF 1 REV E

## X-ON Electronics

Largest Supplier of Electrical and Electronic Components

*Click to view similar products for [RF Connectors / Coaxial Connectors](#) category:*

*Click to view products by [TE Connectivity](#) manufacturer:*

Other Similar products are found below :

[8915-1511-000](#) [89674-0827](#) [6001-7071-019](#) [6002-7051-003](#) [6002-7551-202](#) [6059674-1](#) [619550-1](#) [630059-000](#) [M39030/3-01N](#) [6500-7071-046](#) [6769](#) [CX050L2AQ](#) [7002-1541-010](#) [7002-1542-011](#) [7004-1512-000](#) [7009-1511-004](#) [7010-1511-000](#) [7029-1511-060](#) [7101-1541-010](#) [7101-1571-002](#) [7105-1521-002](#) [7145-1521-002](#) [7203-1571-003](#) [7209-1511-011](#) [7210-1511-015](#) [7210-1511-019](#) [73137-5015](#) [73216-2241](#) [73404-2300](#) [7405-1521-005](#) [7405-1521-802](#) [8527](#) [8547](#) [FS11V](#) [877931](#) [9049-9513-000](#) [9074-9513-000](#) [9101-9573-002](#) [910A205F](#) [9130-9573-002](#) [PL11SC-026](#) [PL375-33](#) [PL40-5](#) [PL74C-221](#) [PL75MC-217](#) [PL803-7](#) [1200690078](#) [1-201144-1](#) [R107003010W](#) [R110A172100](#)