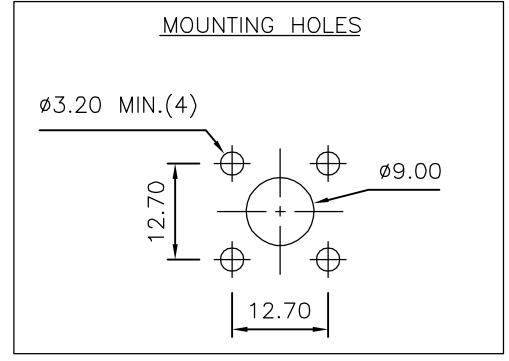
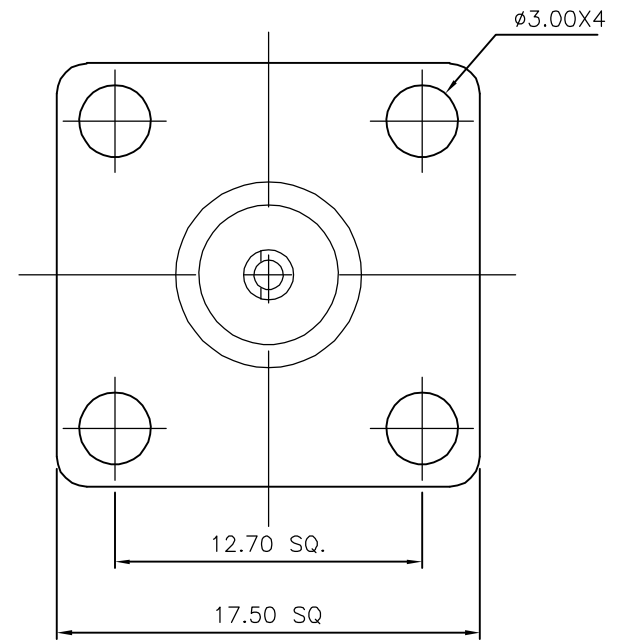
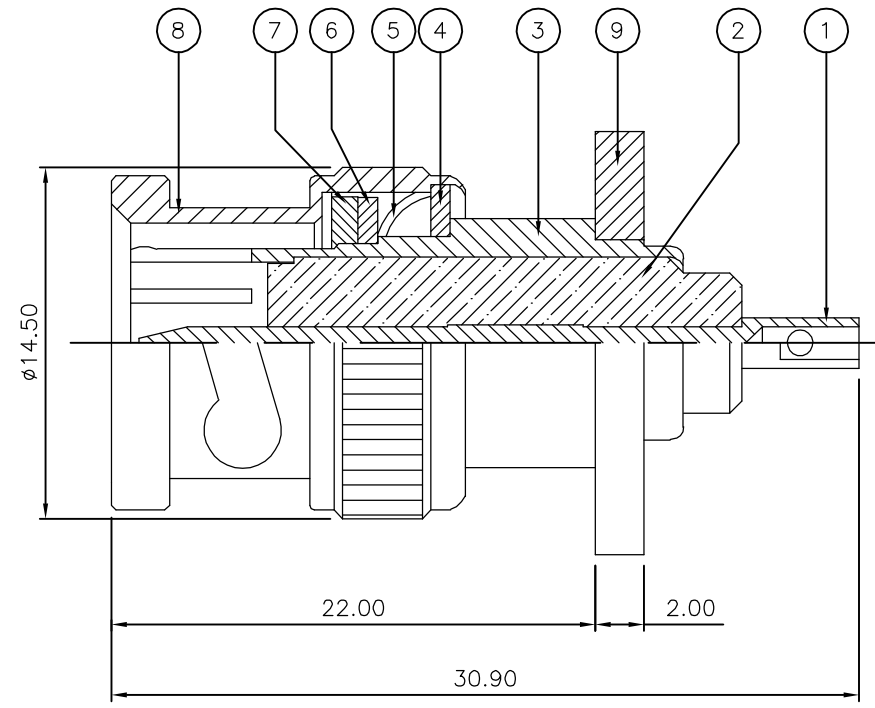


THIS DRAWING IS UNPUBLISHED. RELEASED FOR PUBLICATION JUNE ,2006.

© COPYRIGHT 2006 BY TYCO ELECTRONICS CORPORATION. ALL RIGHTS RESERVED.

LOC	DIST	REVISIONS					
E	B	P	LTR	DESCRIPTION	DATE	DWN	APVD
		B		ECR-05-013423	15JUN06	JMS	FWK

- NOTES:**
- 1 PACK IN ACCORDANCE WITH AMP SPEC 107-3275
 - 2 100 TRAY PACK IN ACCORDANCE WITH AMP SPEC 107-3275
 - 3 Ag PLATING
 - 4 Ni PLATING
 - 5 THIS ITEM MUST BE WHITE
 - 6 ELECTRICAL CHARACTERISTICS
 - FREQUENCY RANGE: DC - 2 GHz
 - NOMINAL IMPEDANCE: 75 Ohm
 - INSULATION RESISTANCE: 5000 MOhm
 - WORKING VOLTAGE: 500 Volts RMS at Sea Level
 - DIELECTRIC WITHSTAND VOLTAGE: 1500 Volts RMS Max
 - CONTACT RESISTANCE:
 - CENTRE CONTACT: 1.50 mOhm Max
 - OUTER CONTACT: 0.20 mOhm Max
 - VSWR @ xGHz: N/A
 - INSERTION LOSS xdb: N/A
 - 7 MECHANICAL CHARACTERISTICS
 - COUPLING RETENTION FORCE: 445N Min
 - CABLE RETENTION FORCE: N/A
 - DURABILITY: 500 Cycles Min
 - 8 ENVIRONMENTAL CHARACTERISTICS
 - OPERATING TEMPERATURE: -65 to +165 DegC
 - 9 FOR TECHNICAL DATA REFER TO YOUR LOCAL TYCO ELECTRONICS SALES OFFICE
 - 10 ALL DIMENSIONS ARE NOMINAL FOR REFERENCE ONLY UNLESS OTHERWISE STATED



QTY	QTY PER ASSY	MATERIAL	DESCRIPTION	ITEM
1	1	BRASS	FLANGE	9
1	1	BRASS	SHELL	8
1	1	SILICON RUBBER	GASKET	7
1	1	BRASS	RETAINING RING	6
1	1	SPRING STEEL	SPRING	5
1	1	BRASS	WASHER	4
1	1	BRASS	BODY	3
1	1	PTFE	INSULATION	2
1	1	BRASS	CONTACT	1
6--0	1--0			

THIS DRAWING IS A CONTROLLED DOCUMENT.		DWN J.SANDWELL 15JUN06	Tyco Electronics Corporation Bideford EX39 4HE	
DIMENSIONS: mm		CHK S.PARLOW 15JUN06		
TOLERANCES UNLESS OTHERWISE SPECIFIED:		APVD F.WHEELER-KING 15JUN06	NAME BNC PANEL PLUG 75 OHM	
0 PLC ± -		PRODUCT SPEC	SIZE A3	
1 PLC ± -		APPLICATION SPEC	CAGE CODE 00779	
2 PLC ± -		WEIGHT -	DRAWING NO C-1478052	
3 PLC ± -		MATERIAL SEE TABLE	RESTRICTED TO -	
4 PLC ± -			SCALE NTS	
ANGLES ± -		CUSTOMER DRAWING		SHEET 1 OF 1
FINISH -		REV B		

X-ON Electronics

Largest Supplier of Electrical and Electronic Components

Click to view similar products for [RF Connectors](#) / [Coaxial Connectors](#) category:

Click to view products by [TE Connectivity](#) manufacturer:

Other Similar products are found below :

[R125315120](#) [8915-1511-000](#) [89674-0827](#) [5916-1103-603](#) [6-0001-3](#) [6001-7071-019](#) [6002-7051-003](#) [6002-7551-202](#) [6059674-1](#) [619550-1](#)
[630059-000](#) [M39012/25-0021](#) [M39012/79-3008](#) [M39030/3-01N](#) [M39030/3-03N](#) [M3933/25-36N](#) [6500-7071-046](#) [M83723/72W24576](#)
[M83723/72W2457N](#) [6769](#) [CX050L2AQ](#) [7002-1541-010](#) [7002-1572-002](#) [7003-1572-002](#) [7010-1511-000](#) [7029-1511-060](#) [7101-1541-010](#)
[7101-1571-002](#) [7105-1521-002](#) [7145-1521-002](#) [7209-1511-011](#) [7210-1511-015](#) [7210-1511-019](#) [7225-1512-050](#) [7242-1511-000](#) [73137-5015](#)
[73251-0111](#) [73251-0672](#) [7325-1512-000](#) [73276-1501](#) [73366-0013](#) [73404-2300](#) [73413-6080](#) [73415-5721](#) [7405-1521-005](#) [7405-1521-802](#)
[7406-1521-005](#) [804S01D04M040](#) [8145-1521-002](#) [81590](#)