

THIS DRAWING IS UNPUBLISHED.

RELEASED FOR PUBLICATION JULY ,2006.

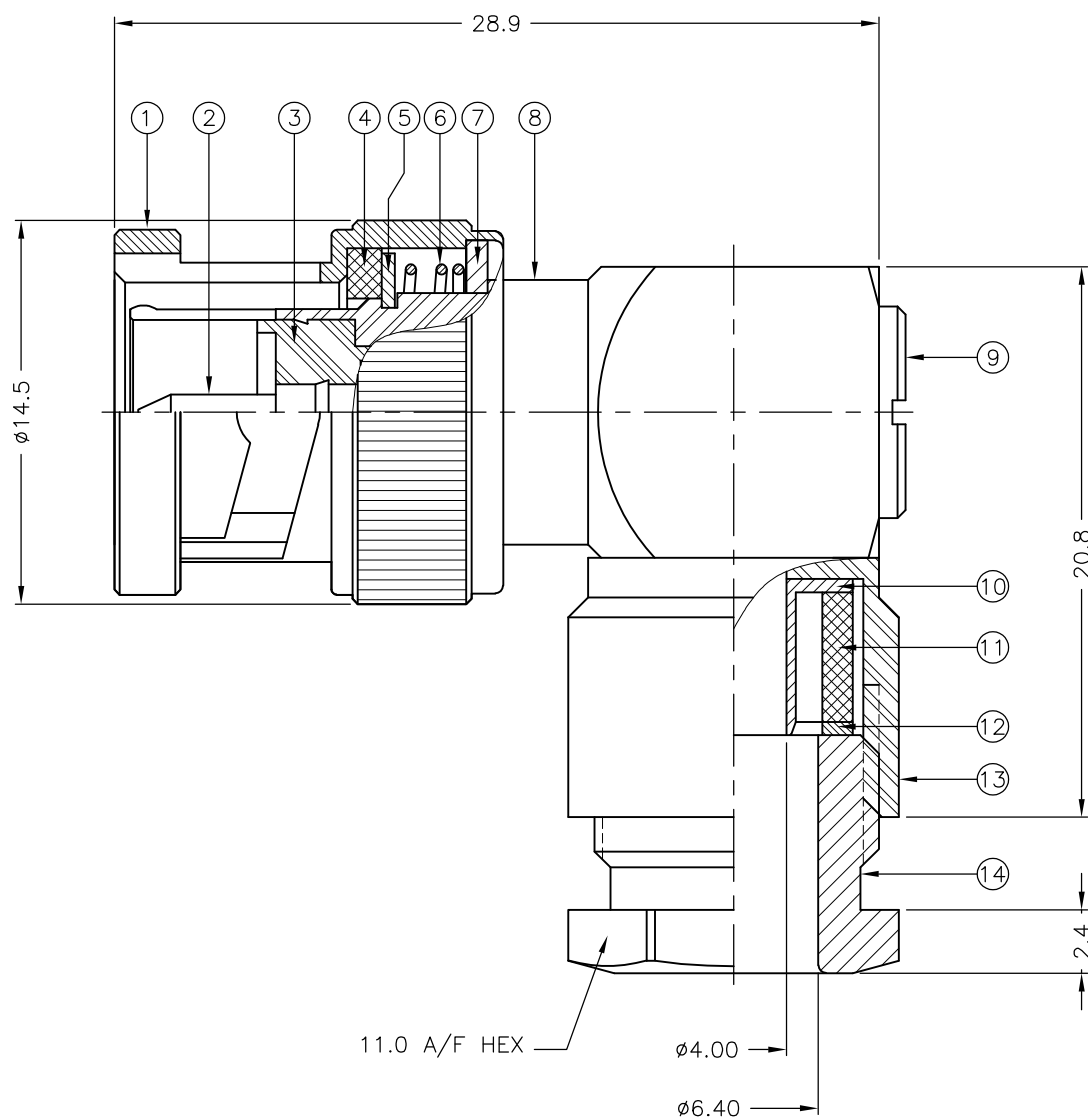
© COPYRIGHT 2006 By -

ALL RIGHTS RESERVED.

LOC	DIST	REVISIONS					
E	B	P	LTR	DESCRIPTION	DATE	DWN	APVD
		C		ECO-14-016501	30DEC2014	RZ	MY

NOTES:

- ① SINGLE PACKING: ONE CONNECTOR PER LABELED BAG PACKAGED. LABELED PER TEC-107-115
- ② TRAY PACKAGED
- ③ Ag PLATING
- ④ Ni PLATING
- ⑤ PASSIVATION
- ⑥ THIS ITEM MUST BE WHITE
- 7 ELECTRICAL CHARACTERISTICS
 FREQUENCY RANGE: DC - 2 GHz
 NOMINAL IMPEDANCE: 75 Ohm
 INSULATION RESISTANCE: 5000 MOhm
 WORKING VOLTAGE: 500 Volts RMS at Sea Level
 DIELECTRIC WITHSTAND VOLTAGE: 1500 Volts RMS Max
 CONTACT RESISTANCE:
 CENTER CONTACT: 1.50 mOhm Max
 OUTER CONTACT: 1.00 mOhm Max
 VSWR @ 1GHz: 1.35 Max
 INSERTION LOSS dB @ x 1GHz: 0.30 Max
- 8 MECHANICAL CHARACTERISTICS
 COUPLING RETENTION FORCE: 266 N Min
 CABLE RETENTION FORCE: 170 N Min
 CLAMP NUT RECOMMENDED TORQUE: 4 Nm
 DURABILITY: 500 Cycles Min
- 9 ENVIRONMENTAL CHARACTERISTICS
 OPERATING TEMPERATURE: -65 to +165 DegC
- 10 FOR TECHNICAL DATA REFER TO YOUR LOCAL
 TE CONNECTIVITY SALES OFFICE
- 11 ALL DIMENSIONS ARE NOMINAL FOR REFERENCE ONLY
 UNLESS OTHERWISE STATED



QTY	QTY	MATERIAL	FINISH	DESCRIPTION	ITEM
1	1	BRASS	③	CLAMP NUT	14
1	1	BRASS	③	BODY II	13
1	1	BRASS	③	WAHSER	12
1	1	SILICON RUBBER	⑥	GASKET	11
1	1	BRASS	③	FERRULE	10
1	1	BRASS	③	CAP	9
1	1	BRASS	③	BODY I	8
1	1	BRASS	③	WASHER	7
1	1	STAINLESS STEEL	⑤	SPRING	6
1	1	PHOSPHOR BRONZE	④	RETAINING RING	5
1	1	SILICON RUBBER	⑥	GASKET	4
1	1	PTFE		INSULATION	3
1	1	BRASS	③	CONTACT	2
1	1	BRASS	③	SHELL	1
6--0	1--0	MATERIAL		DESCRIPTION	ITEM
③	③				
QUANTITY PER ASSY		PARTS LIST			

THIS DRAWING IS A CONTROLLED DOCUMENT.		DWN	J.SANDWELL	03JUL06	STE TE Connectivity
		CHK	S.PARLOW	03JUL06	
		APVD	F.WHEELER-KING	03JUL06	
		PRODUCT SPEC			
DIMENSIONS: mm		TOLERANCES UNLESS OTHERWISE SPECIFIED:		NAME	
		0 PLC	± -	BNC ELBOW PLUG SOLDER 75 OHM RG59B/U, 62A/U, 140/U, 210/U, URM90, KX6A, KX25, KX52, KX53	
		1 PLC	± 0.5		
2 PLC	± 0.1				
3 PLC	± -				
4 PLC	± -				
MATERIAL		FINISH		SIZE	
SEE TABLE		-		A3 00779 C-1478129	
		CUSTOMER DRAWING		RESTRICTED TO	
				SCALE NTS SHEET 1 OF 1 REV C	

X-ON Electronics

Largest Supplier of Electrical and Electronic Components

Click to view similar products for [RF Connectors](#) / [Coaxial Connectors](#) category:

Click to view products by [TE Connectivity](#) manufacturer:

Other Similar products are found below :

[R125315120](#) [8915-1511-000](#) [89674-0827](#) [5916-1103-603](#) [6-0001-3](#) [6001-7071-019](#) [6002-7051-003](#) [6002-7551-202](#) [6059674-1](#) [619550-1](#)
[630059-000](#) [M39012/25-0021](#) [M39012/79-3008](#) [M39030/3-01N](#) [M39030/3-03N](#) [M3933/25-36N](#) [6500-7071-046](#) [M83723/72W24576](#)
[M83723/72W2457N](#) [6769](#) [CX050L2AQ](#) [7002-1541-010](#) [7002-1572-002](#) [7003-1572-002](#) [7010-1511-000](#) [7029-1511-060](#) [7101-1541-010](#)
[7101-1571-002](#) [7105-1521-002](#) [7145-1521-002](#) [7209-1511-011](#) [7210-1511-015](#) [7210-1511-019](#) [7225-1512-050](#) [7242-1511-000](#) [73137-5015](#)
[73251-0111](#) [73251-0672](#) [7325-1512-000](#) [73276-1501](#) [73366-0013](#) [73404-2300](#) [73413-6080](#) [73415-5721](#) [7405-1521-005](#) [7405-1521-802](#)
[7406-1521-005](#) [804S01D04M040](#) [8145-1521-002](#) [81590](#)