

THIS DRAWING IS UNPUBLISHED. RELEASED FOR PUBLICATION DEC ,2005.

© COPYRIGHT 2005 By - ALL RIGHTS RESERVED.

LOC	DIST	REVISIONS			
P	LTR	DESCRIPTION	DATE	DWN	APVD
E	B	B	ECO-14-000450	13APR2014	RZ MY

NOTES:

1 SINGLE PACKING: ONE CONNECTOR PER LABELED BAG PACKAGED. LABELED PER TEC-107-115

2 TRAY PACKAGED

3 Ni PLATING

4 Au PLATING

5. ELECTRICAL CHARACTERISTICS

FREQUENCY RANGE:	DC - 1 GHz
NOMINAL IMPEDANCE:	75 Ohm
INSULATION RESISTANCE:	5000 MOhm
WORKING VOLTAGE:	500 Volts RMS at Sea Level
DIELECTRIC WITHSTAND VOLTAGE:	1500 Volts RMS Max
CONTACT RESISTANCE:	
CENTER CONTACT:	1.50 mOhm Max
OUTER CONTACT:	1.00 mOhm Max
VSWR @ 0.3 GHz:	1.8 Max
INSERTION LOSS @ 0.3 GHz:	0.8 dB MAX

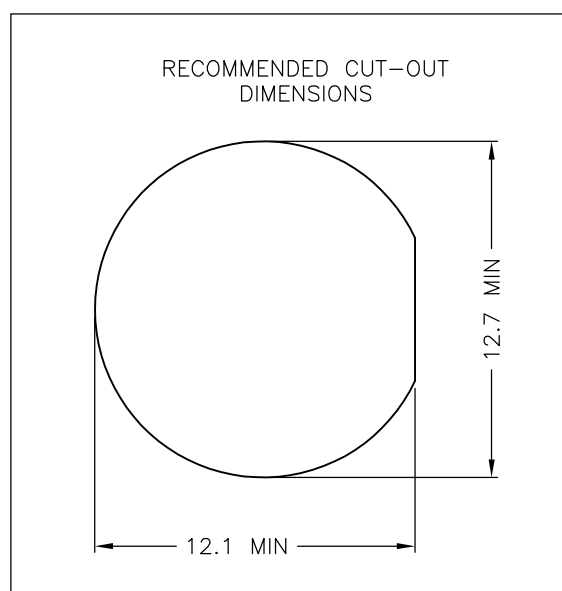
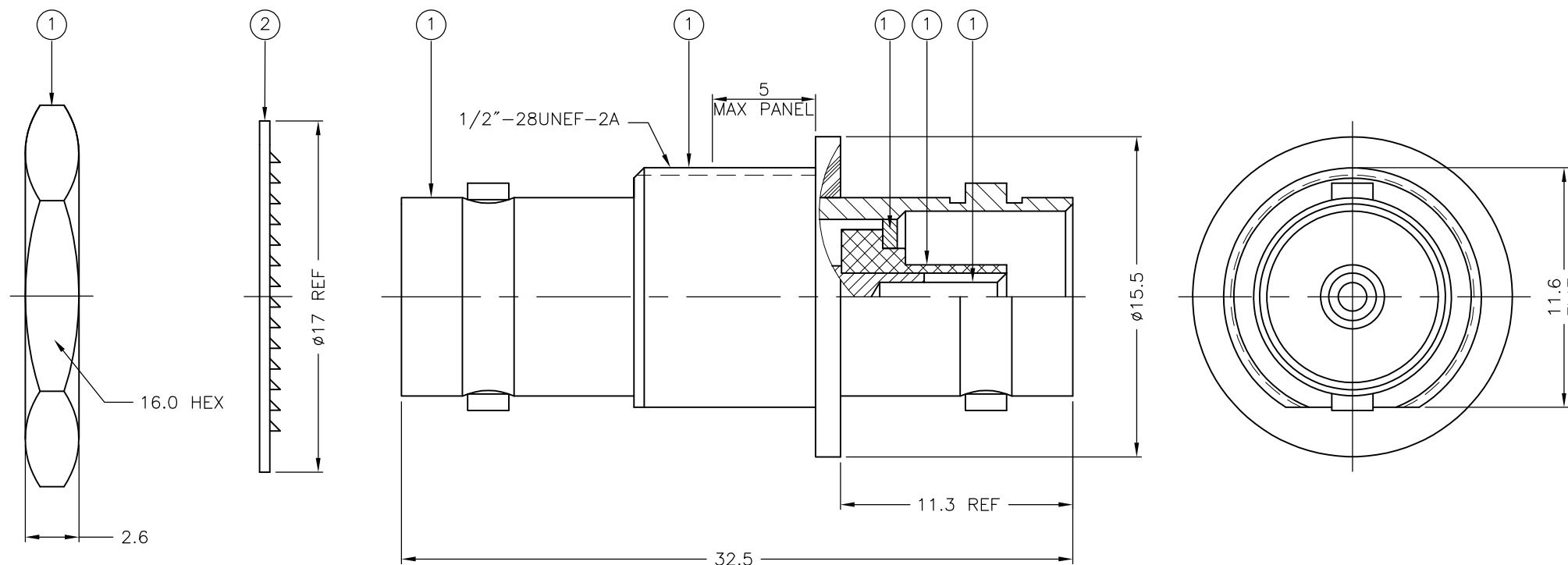
6. MECHANICAL CHARACTERISTICS

DURABILITY: 500 Cycles Min

7. ENVIRONMENTAL CHARACTERISTICS

OPERATING TEMPERATURE: -40 to +60 DegC

8. SUPPLIED SEMI-ASSEMBLED (PACK CONTAINS LOOSE PIECES)



QTY	PLC	QTY	MATERIAL	NOTE	DESCRIPTION	ITEM
1	1	1	BRASS	4	CENTER CONTACT	7
2	2	2	POM		DIELECTRIC	6
1	1	1	BRASS	3	WASHER	5
1	1	1	ABS		ISOLATOR	4
1	1	1	BRASS	3	BODY	3
1	1	1	STEEL	3	LOCKWASHER	2
1	1	1	BRASS	3	NUT	1
6--0	1--0		MATERIAL		DESCRIPTION	ITEM
2	1					

THIS DRAWING IS A CONTROLLED DOCUMENT.		DWN	R GOODALL	12-9-01	 TE Connectivity			NAME		BNC INSULATED BULKHEAD ADAPTOR JACK 75 OHM			
DIMENSIONS: mm		CHK	F W-KING	12-9-01				PRODUCT SPEC		APPLICATION SPEC		RESTRICTED TO	
TOLERANCES UNLESS OTHERWISE SPECIFIED:		APVD	F W-KING	12-9-01				MATERIAL		DESCRIPTION		ITEM	
MATERIAL SEE TABLE		FINISH		WEIGHT				SCALE		SHEET		REV	
0 PLC ± -		1 PLC ± 0.2		2 PLC ± 0.1		3 PLC ± -		4 PLC ± -		ANGLES ± -			
CUSTOMER DRAWING		A3		00779		C-1478238		NTS		1 OF 1			

X-ON Electronics

Largest Supplier of Electrical and Electronic Components

Click to view similar products for [RF Adapters - In Series](#) category:

Click to view products by [TE Connectivity](#) manufacturer:

Other Similar products are found below :

[5916-1103-603](#) [5918-1103-000](#) [5919-1503-000](#) [651A505](#) [82-5552](#) [9030-9523-502](#) [PN2C](#) [A0407000](#) [R114703000W](#) [R125704000](#)
[R125771001](#) [R141710000W](#) [R141723161](#) [R141730000](#) [R143730700](#) [R143770000](#) [R161703000W](#) [R161753000W](#) [R161791530W](#)
[R201705000](#) [R222705200](#) [R222M40010W](#) [R316754000](#) [R405006000](#) [R443162000](#) [AD78TL](#) [HRM-513S](#) [1996352-2](#) [2157155-1](#) [252169-75](#)
[AD158](#) [2101130-1](#) [252186](#) [R114704000W](#) [R114720000W](#) [R125705001](#) [R125705701](#) [R125771000](#) [R125771001W](#) [R125791501W](#)
[R127704001](#) [R127.870.001](#) [R127872001](#) [R141717000](#) [R142710000](#) [R142723000](#) [R143703000](#) [R143704000](#) [R143705700](#) [R161715000W](#)