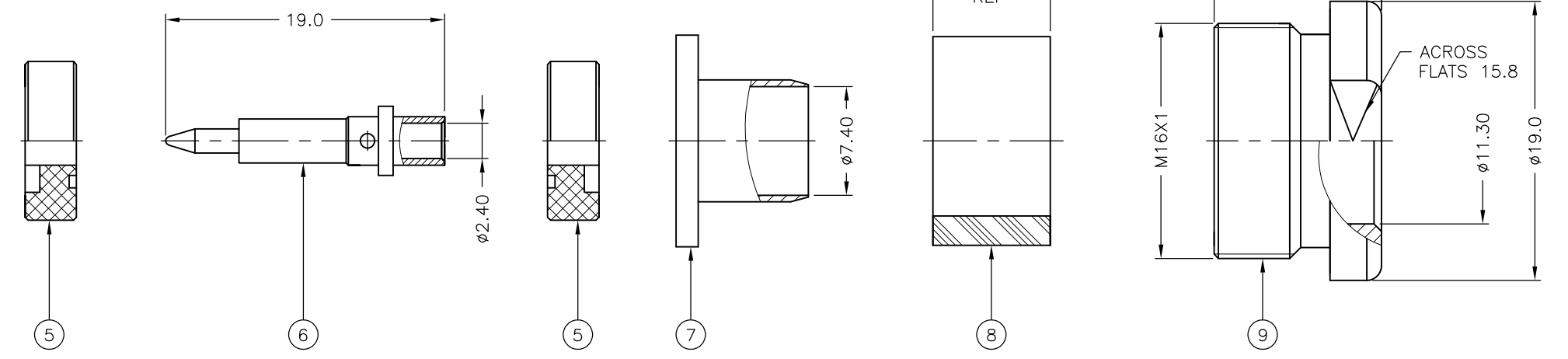
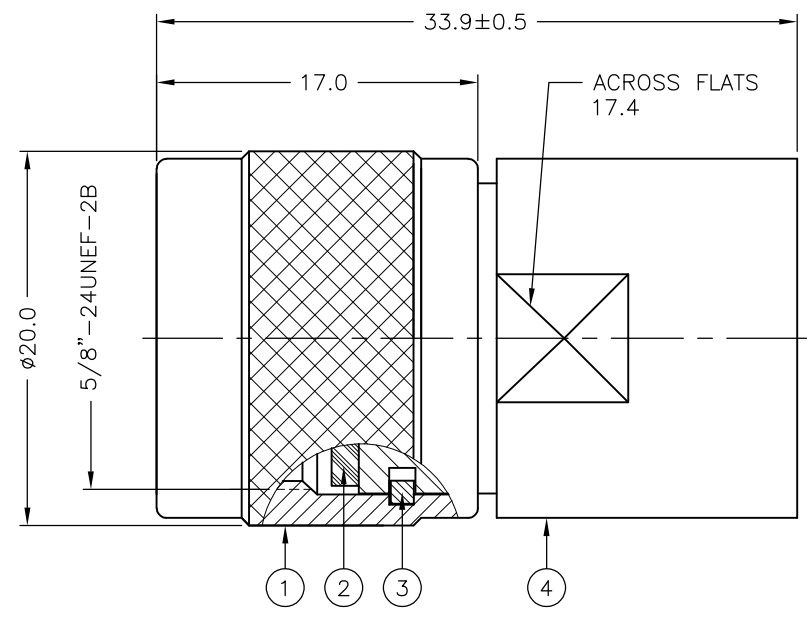


THIS DRAWING IS UNPUBLISHED. RELEASED FOR PUBLICATION
 © COPYRIGHT - By - ALL RIGHTS RESERVED.

LOC	DIST	REVISIONS					
		P	LTR	DESCRIPTION	DATE	DWN	APVD
-	-	C		ECO-15-009153	23JUN2015	RZ	RS



NOTES:

1 SINGLE PACKING: ONE CONNECTOR PER LABELED BAG PACKAGED. LABELED PER TEC-107-115

2 Ag PLATING

3 PASSIVATION

4 THIS ITEM MUST BE WHITE

5 ELECTRICAL CHARACTERISTICS

FREQUENCY RANGE:	DC - 11 GHz
NOMINAL IMPEDANCE:	50 Ohm
INSULATION RESISTANCE:	5000 MOhm
WORKING VOLTAGE:	1000 Volts RMS at Sea Level
DIELECTRIC WITHSTAND VOLTAGE:	2500 Volts RMS Max
CONTACT RESISTANCE:	
CENTER CONTACT:	1.00 mOhm Max
OUTER CONTACT:	1.00 mOhm Max
VSWR:	1.7 Max
INSERTION LOSS dB @ x 10 GHz:	0.6 Max

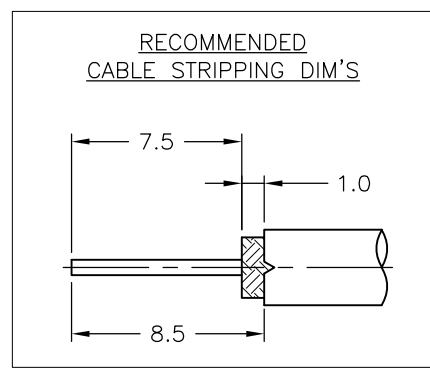
6 MECHANICAL CHARACTERISTICS

COUPLING NUT RETENTION FORCE:	445 N Min
CABLE RETENTION FORCE:	400 N Min
CLAMP NUT RECOMMENDED TORQUE:	4 Nm
DURABILITY:	500 Cycles Min

7 ENVIRONMENTAL CHARACTERISTICS

OPERATING TEMPERATURE:	-65 to +165 DegC
------------------------	------------------

8 SUPPLIED SEMI-ASSEMBLED (PACK CONTAINS LOOSE PIECES)



QTY	QTY PER ASSY	MATERIAL	DESCRIPTION	ITEM
1		BRASS	CLAMP NUT	9
1		SILICONE RUBBER	GASKET	8
1		BRASS	BRAID CLAMP	7
1		PHOSPHOR BRONZE	CENTER CONTACT	6
2		PTFE	INSULATOR	5
1		BRASS	BODY	4
1		STAINLESS STEEL	RETAINING RING	3
1		SILICONE RUBBER	GASKET	2
1		BRASS	COUPLING NUT	1
1--0		MATERIAL	DESCRIPTION	ITEM

THIS DRAWING IS A CONTROLLED DOCUMENT.		DWN A.BEKEN 21-11-01	TE Connectivity TYPE N STRAIGHT PLUG SOLDER (PS) 500HM RG9B/U, RG214/U, URM91														
DIMENSIONS: mm		CHK R.G 21-11-01															
TOLERANCES UNLESS OTHERWISE SPECIFIED:		APVD F.W-KING 21-11-01	NAME														
<table border="0"> <tr><td>0 PLC</td><td>± -</td></tr> <tr><td>1 PLC</td><td>± 0.2</td></tr> <tr><td>2 PLC</td><td>± 0.1</td></tr> <tr><td>3 PLC</td><td>± -</td></tr> <tr><td>4 PLC</td><td>± -</td></tr> <tr><td>ANGLES</td><td>± -</td></tr> </table>		0 PLC	± -	1 PLC	± 0.2	2 PLC	± 0.1	3 PLC	± -	4 PLC	± -	ANGLES	± -	PRODUCT SPEC	SIZE		
0 PLC	± -																
1 PLC	± 0.2																
2 PLC	± 0.1																
3 PLC	± -																
4 PLC	± -																
ANGLES	± -																
MATERIAL		APPLICATION SPEC	CAGE CODE		RESTRICTED TO												
-		411-3255	DRAWING NO		-												
-		FINISH	A300779		-												
-		WEIGHT	C-1478421		-												
-		CUSTOMER DRAWING	SCALE	SHEET	REV												
-			NTS	1 OF 1	C												

X-ON Electronics

Largest Supplier of Electrical and Electronic Components

Click to view similar products for [RF Connectors](#) / [Coaxial Connectors](#) category:

Click to view products by [TE Connectivity](#) manufacturer:

Other Similar products are found below :

[R125315120](#) [8915-1511-000](#) [89674-0827](#) [5916-1103-603](#) [0106-001-000](#) [6-0001-3](#) [6001-7071-019](#) [6002-7051-003](#) [6002-7551-202](#) [6059674-1](#) [619550-1](#) [630059-000](#) [M39012/25-0021](#) [M39012/79-3008](#) [M39030/3-01N](#) [M39030/3-03N](#) [M3933/25-36N](#) [6500-7071-046](#) [6501-1071-002](#) [M83723/72W2457N](#) [6769](#) [CX050L2AQ](#) [7002-1541-010](#) [7002-1572-002](#) [7003-1572-002](#) [7004-1512-000](#) [7009-1511-004](#) [7010-1511-000](#) [7029-1511-060](#) [7101-1541-010](#) [7101-1571-002](#) [7105-1521-002](#) [7145-1521-002](#) [7209-1511-011](#) [7210-1511-012](#) [7210-1511-015](#) [7210-1511-019](#) [7210-1511-040](#) [7225-1512-050](#) [7242-1511-000](#) [73137-5015](#) [73251-0111](#) [73251-0672](#) [73276-1501](#) [73366-0013](#) [73404-2300](#) [73413-6080](#) [734151610](#) [73415-5721](#) [7405-1521-005](#)