

THIS DRAWING IS UNPUBLISHED. RELEASED FOR PUBLICATION
 © COPYRIGHT BY TYCO ELECTRONICS CORPORATION. ALL RIGHTS RESERVED.

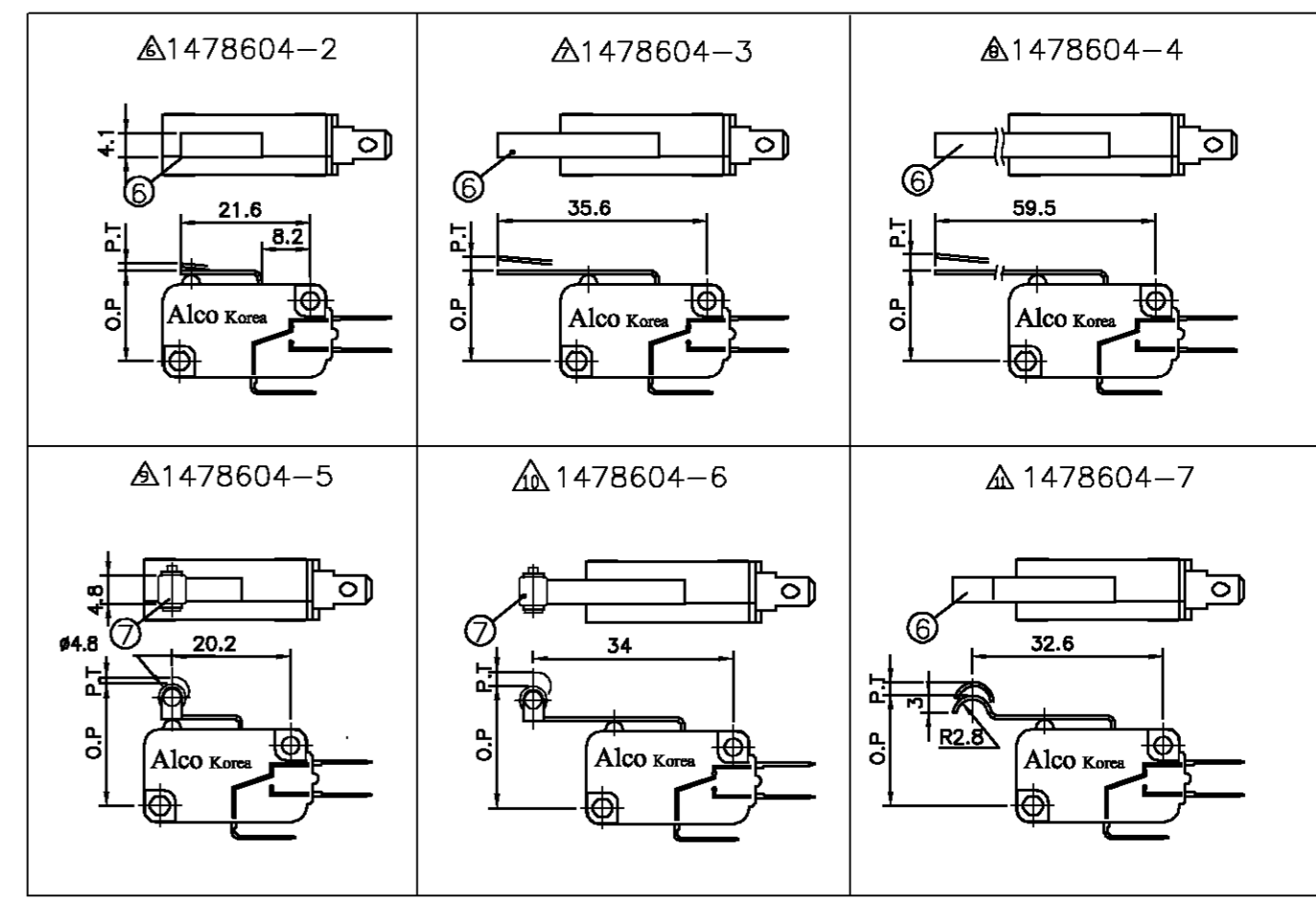
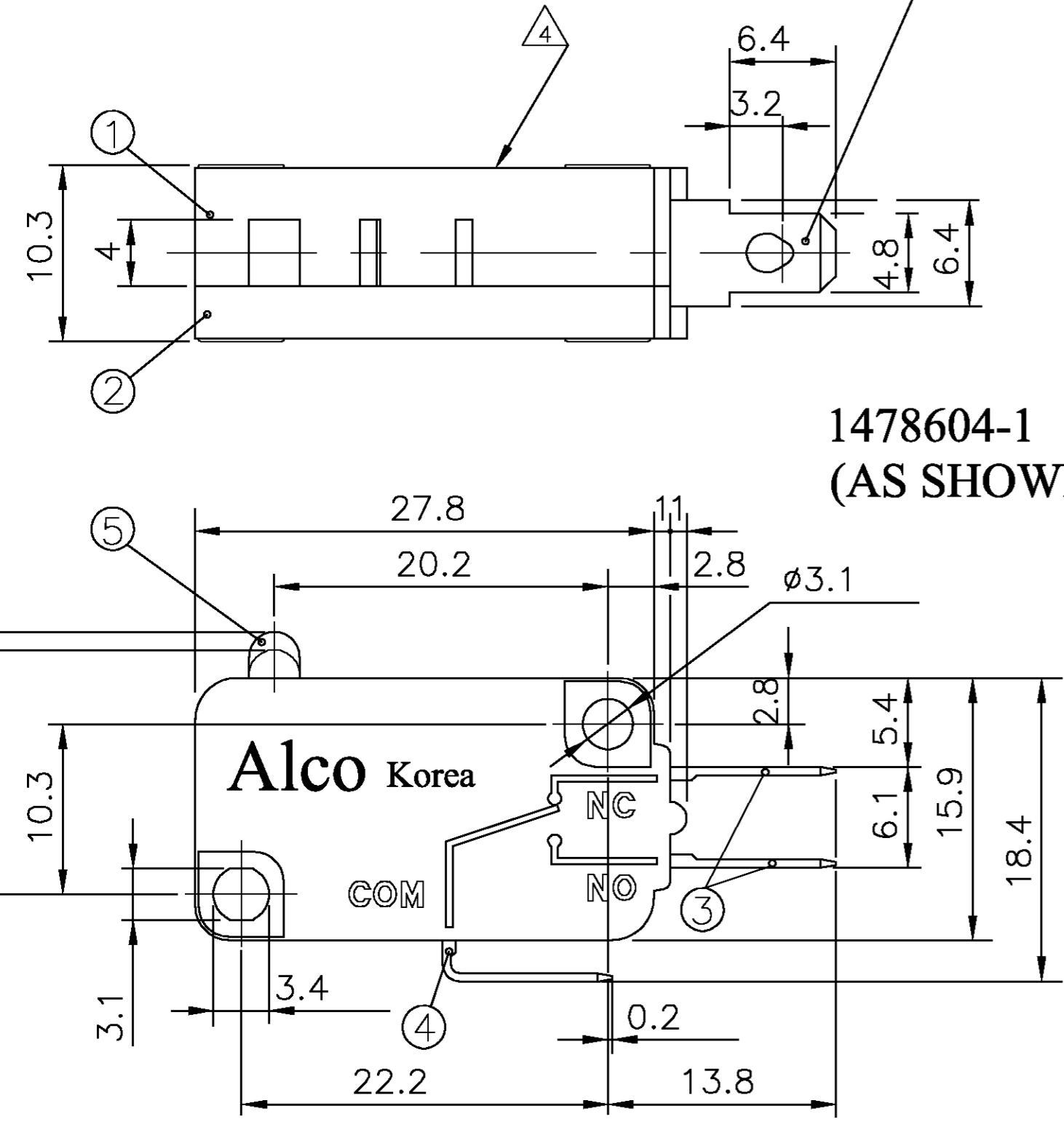
LOC		DIST		REVISIONS			
E	B	P	LTR	DESCRIPTION	DATE	DWN	APVD
		E		EBDO-0129-03	04-08-03	SS	JA

.187" TAB & SOLDERING TERMINAL, 0.5mm THICK.

SPECIFICATION DATA

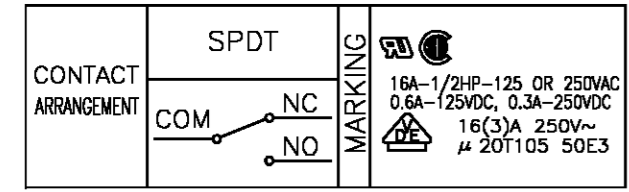
Amp Rating	Minature Range	
	16	5
Insulation Resistance	Min. 100M ohm	
Contact Resistance	Max 15 M ohm	Max 50 M ohm
Dielectric Strength	AC 2,000V	
	Between Non-consecutive terminals	
Operating Speed	0.2mm/sec - 1,000mm/sec	1mm/sec - 500mm/sec
Max allowed Mechanical Open/Close Frequencies	600 Cycles/min	
Shock Resistance (Without Lever)	300mm/sec sq (approx 30G)	
Vibration Resistance (Without Lever)	1.5mm 10-55 Hz (2Hr)	1.5mm 10 - 20Hz (2Hr)
Electrical Life	100,000 Operations at Rated Load (Max 20 Operations/min)	1,000,000 Operations
Mechanical Life	10,000,000 Operations (Max 200 operations/min)	
Safety Approval	UL / CSA / VDE	
Operating Temperature Range	-20 deg C to 130 deg C RH85% Max	-30 deg C to 130 deg C RH90% Max
UL File No.	E60363	
CSA File No	218582	
VDE File No.	40006699	40006698

1478604-1
(AS SHOWN)



DRAWING NO	△	CHARACTERISTICS					
		Operating Force	Releasing Force	Pre Travel	Operating Position	Over Travel	Movement Differential
1	1478604-1	Max 200 g	Min 50 g	Max 1.6 mym	14.8 ±0.4 mym	Min 0.8 mym	Max 0.4 mym
2	1478604-2	200 g	50 g	1.6 mym	15.4 ±0.4 mym	0.8 mym	0.4 mym
3	1478604-3	120 g	20 g	4.0 mym	15.4 ±1.4 mym	1.3 mym	1.2 mym
4	1478604-4	60 g	10 g	7.5 mym	15.4 ±3.0 mym	2.6 mym	2.4 mym
5	1478604-5	240 g	50 g	1.6 mym	20.7 ±0.8 mym	0.8 mym	0.4 mym
6	1478604-6	120 g	20 g	4.0 mym	20.7 ±1.6 mym	1.3 mym	1.2 mym
7	1478604-7	120 g	20 g	4.0 mym	18.6 ±1.5 mym	1.3 mym	1.2 mym

- NOTES:
- FOR TECHNICAL DATA REFER TO YOUR LOCAL TYCO ELECTRONICS SALES OFFICE.
 - ALL DIMENSIONS ARE NOMINAL. FOR REFERENCE ONLY UNLESS OTHERWISE STATED.
 - ALL DIMENSIONS ARE COMMON TO THE MAIN BODY. VARIATIONS ARE IN THE OPERATING LEVERS.
 - TYCO PART NUMBER AND LOT No. INKJET MARKED IN THIS AREA.
 - GENERAL INFO.



7	ROLLER	(1)
6	LEVER	(1)
5	BUTTON	1
4	COMMON TERMINAL	1
3	TERMINAL	2
2	COVER	1
1	BOX	1
NO	PART NAME	Q'TY

TYCO SALES PART No.	TYCO PART NO.	DESCRIPTION	COLOUR	QTY	PACK DESC
MP16DT-ASMD	△ 1478604-7	Microswitch, Simu Lever	Blue	1000	CARTON
MP16DT-ANRD	△ 1478604-6	Microswitch, Norm Roller	Blue	800	CARTON
MP16DT-ASRH	△ 1478604-5	Microswitch, Short Roller	Blue	1000	CARTON
MP16DT-ALLB	△ 1478604-4	Microswitch, Long Lever	Blue	600	CARTON
MP16DT-ANLD	△ 1478604-3	Microswitch, Norm Lever	Blue	800	CARTON
MP16DT-ASLG	△ 1478604-2	Microswitch, Short Lever	Blue	1000	CARTON
MP16DT-AOLG	1478604-1	Microswitch, Pin Plunger	Blue	1000	CARTON

THIS DRAWING IS A CONTROLLED DOCUMENT.

DWN	P. Bates	03-10-01
CHK	C. Kaminski	03-10-01
APVD	C. Kaminski	03-10-01

NAME: MICRO SWITCH 16A
SOLDER TERMINAL
200g RANGE

SCALE: 1:1 SHEET 1 OF 2 REV E


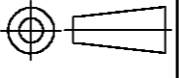
THIS DRAWING IS UNPUBLISHED. RELEASED FOR PUBLICATION
 © COPYRIGHT BY TYCO ELECTRONICS CORPORATION. ALL RIGHTS RESERVED.

LOC		DIST		REVISIONS			
P	LTR	DESCRIPTION	DATE	DWN	APVD		
E	B	E	EBDO-0129-03	04-06-03	SS	JA	

MAJOR COMPONENT & MATERIAL LIST

NO	PART NAME	MATERIAL	Q'ty	UL FRAME	FINISH (COLOR)
1	CASE	P.B.T RESIN	1	94 V-0	
2	COVER		1		
3	MOVABLE CONTACTOR	Brass Sheet t=0.4	1		SILVER PLATING
4	GUIDE PLATE	Brass Sheet t=0.8	1		SILVER PLATING
5	COMMON TERMINAL	Brass Sheet t=0.8	1		SILVER PLATING
6	PLATE SPRING	Beryllium Copper Sheet (t=0.1~ 0.25)	1		
7	TERMINAL AID	Brass Sheet (t=0.8)	0		
8	CONTACT	Ag alloy(AgCdO,AgSnO2)	3		
9	TERMINAL	Brass Sheet (t=0.8)	2		SILVER PLATING
10	ACTUATOR	PHENOLIC RESIN	1	94 V-0	
11	LEVER	Stainless SteelSheet (t=0.6)	(1)		

() = Where Applicable

THIS DRAWING IS A CONTROLLED DOCUMENT.		DWN S.Shackson 04-06-03	 Tyco Electronics Corporation Bideford, Devon, EX39 4HE	
DIMENSIONS: MM		CHK F.Wheeler-King 04-06-03		
		APVD F.Wheeler-King 04-06-03	NAME MICRO SWITCH 16A SOLDER TERMINAL 200g RANGE	
TOLERANCES UNLESS OTHERWISE SPECIFIED:		PRODUCT SPEC -	SIZE A2	
0 PLC ± -		APPLICATION SPEC -	CAGE CODE 00779	DRAWING NO C=1478604
1 PLC ± 0.4		WEIGHT -	RESTRICTED TO -	
2 PLC ± 0.4		CUSTOMER DRAWING		
3 PLC ± -		SCALE 1:1	SHEET 2	OF 2
4 PLC ± -		REV E		
ANGLES ± -				
FINISH -				

X-ON Electronics

Largest Supplier of Electrical and Electronic Components

Click to view similar products for [Basic / Snap Action Switches](#) category:

Click to view products by [TE Connectivity](#) manufacturer:

Other Similar products are found below :

[83228001](#) [01.098.1358.1](#) [602EN532](#) [602EN535-RB](#) [602HE5-RB1](#) [604HE162](#) [604HE223-6B](#) [624HE17-RB](#) [6HM89](#) [6PA78-JM](#) [6SE1](#)
[6SX1-H58](#) [70500216](#) [70500840](#) [70599106](#) [MBD5B1](#) [MBH2731](#) [73-316-0012](#) [79211759](#) [79211923](#) [79218589](#) [7AS12](#) [ML-1155](#) [ML-1376](#)
[831010C3.0](#) [831090C2.EL](#) [83131904](#) [84212012](#) [8AS239](#) [8HM73-3](#) [903VB1-PG](#) [914CE1-6G](#) [PL-100](#) [11SM1077-H4](#) [11SM1077-H58](#)
[11SM1-TN107](#) [11SM405](#) [11SM8423-H2](#) [11SX37-T](#) [11SX48-H58](#) [11SX55-H58](#) [11SM2442-T](#) [11SM76-T](#) [11SM77-H58](#) [11SM77-T](#)
[11SM863-T](#) [11SM866](#) [11SX47-H58](#) [A7CN-1M-1-LEFT](#) [A831700C7.0](#)