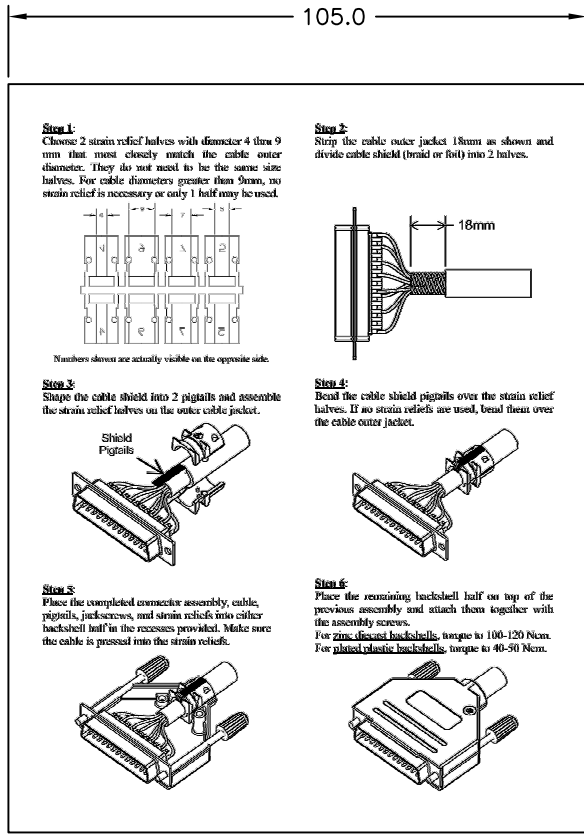
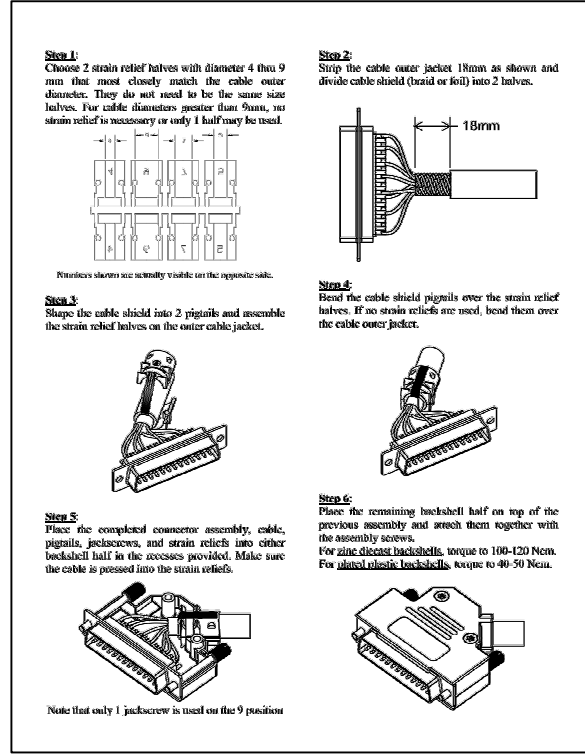


THIS DRAWING IS UNPUBLISHED. RELEASED FOR PUBLICATION  
 © COPYRIGHT - By - ALL RIGHTS RESERVED.

| LOC | DIST | REVISIONS   |           |     |      |
|-----|------|-------------|-----------|-----|------|
| P   | LTR  | DESCRIPTION | DATE      | DWN | APVD |
| GP  | 00   | A ORIGINAL  | 14NOV2012 | CJV | CWR  |



SIDE 1



SIDE 2

2227518-1  
 PART NUMBER

|  |        |                                  |                           |               |
|--|--------|----------------------------------|---------------------------|---------------|
| THIS DRAWING IS A CONTROLLED DOCUMENT. DIMENSIONING AND TOLERANCING PER ASME Y14.5M-2009 |        | DWN<br>C. VALENTINE<br>14NOV2012 | TE Connectivity           |               |
| DIMENSIONS: mm   |        | CHK<br>C. ROHDE<br>14NOV2012     | NAME                      |               |
| TOLERANCES UNLESS OTHERWISE SPECIFIED:   |        | APVD<br>C. ROHDE<br>14NOV2012    | LEAFLET                   |               |
| 0 PLC ± -  |        | PRODUCT SPEC                     | ASSEMBLY INSTRUCTIONS     |               |
| 1 PLC ± -  |        | APPLICATION SPEC                 | ZINC AND PLATE BACKSHELLS |               |
| 2 PLC ± -  |        | WEIGHT                           | SIZE                      | CAGE CODE     |
| 3 PLC ± -  |        | -                                | A3                        | 00779         |
| 4 PLC ± -  |        |                                  | DRAWING NO                |               |
| ANGLES ± -   |        | G=2227518                        |                           | RESTRICTED TO |
| MATERIAL   | FINISH | CUSTOMER DRAWING                 |                           | SCALE         |
| -  | -      | -                                |                           | NTS           |
|  |        | SHEET                            |                           | REV           |
|  |        | 1 of 1                           |                           | A             |

## X-ON Electronics

Largest Supplier of Electrical and Electronic Components

*Click to view similar products for D-Sub Backshells category:*

*Click to view products by TE Connectivity manufacturer:*

Other Similar products are found below :

[600X51137X](#) [600X54009X](#) [66241-12A](#) [M85049/6-38N](#) [M85049/86-12N03](#) [M85049/90-13P03](#) [70.350.0636.4](#) [70.350.2435.1](#) [72.350.1035.2](#)  
[72.352.2435.1](#) [73.359.4035.3](#) [829472-1](#) [PCS-E20W](#) [970-015-040R011](#) [971-009-030R121](#) [971-009-040R011](#) [971-015-040R011](#) [DPH-B-003](#)  
[1437013-9](#) [1484402-8](#) [156-3025-EX](#) [16-500800](#) [165X02659X](#) [165X03329A](#) [165X03399A](#) [165X10259X](#) [165X11359X](#) [165X11759X](#)  
[165X11889X](#) [165X11899X](#) [165X13019X](#) [165X13029X](#) [165X13169X](#) [165X13199X](#) [165X13239X](#) [165X13389X](#) [165X13489X](#)  
[165X14219X](#) [165X14429X](#) [165X14449X](#) [165X17409X](#) [165X17439X](#) [165X17569X](#) [165X17599X](#) [165X17609X](#) [165X17889X](#)  
[165X17979X](#) [L171373](#) [971-025-030R121](#) [300X10989X](#)