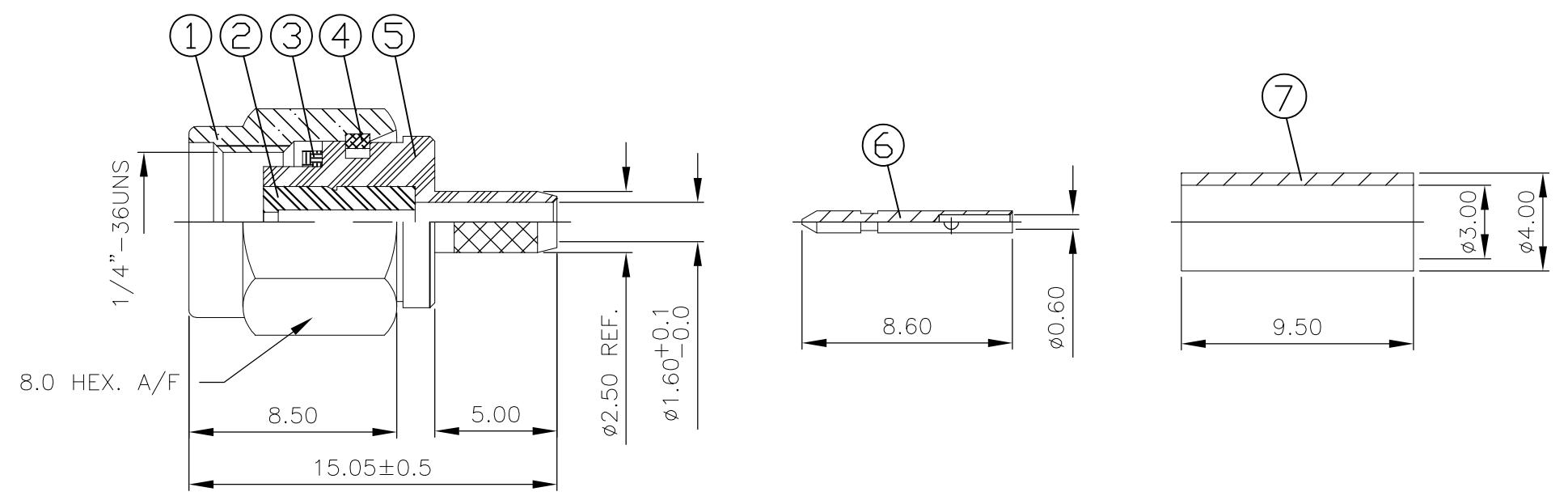


THIS DRAWING IS UNPUBLISHED. RELEASED FOR PUBLICATION APRIL, 2004.  
 © COPYRIGHT 2004 By - ALL RIGHTS RESERVED.

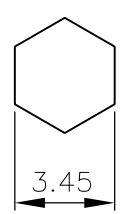
LOC	DIST	REVISIONS					
E	B	P	LTR	DESCRIPTION	DATE	DWN	APVD
		A1		REVISED PER ECO-11-005033	01APR11	RK	HMR

- NOTES:
- 1 SINGLE PACK IN ACCORDANCE WITH SPEC 107-3275
  - 2 100 TRAY PACK IN ACCORDANCE WITH SPEC 107-3275
  - 3 0.08µm Au PLATING OVER 1.27µm Ni PLATING
  - 4 0.08µm Au PLATING OVER 1.27µm Ni PLATING OVER 0.76µm Cu PLATING
  - 5 0.76µm Au PLATING OVER 1.27µm Ni PLATING OVER 0.76µm Cu PLATING
  - 6 PASSIVATED
  - 7 WHITE BRONZE PLATING
  - 8 PLATING AS PER BODY, EXCEPT FOR PASSIVATED WHICH IS NICKEL PLATED
  - 9 HAND TOOL 9-1478240-0
  - 10 DIE SET 9-1478248-0
  - 11 FOR TECHNICAL DATA REFER TO YOUR LOCAL TE CONNECTIVITY SALES OFFICE
  - 12 ALL DIMENSIONS ARE NOMINAL FOR REFERENCE ONLY UNLESS OTHERWISE STATED

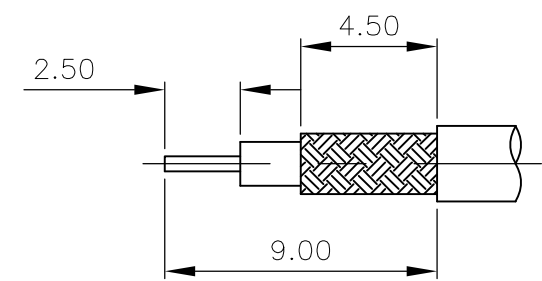


1	1	1	1	1	1	1	1	BRASS	8	CRIMP SLEEVE	7
1	1	1	1	1	1	1	1	BRASS	5	CENTER CONTACT	6
1	1	-	-	-	-	-	-	BRASS	7	BODY	5
-	-	1	1	-	-	-	-	BRASS	4	BODY	5
-	-	-	-	1	1	-	-	STAINLESS STEEL	6	BODY	5
-	-	-	-	-	-	1	1	STAINLESS STEEL	3	BODY	5
1	1	1	1	1	1	1	1	STAINLESS STEEL		CIRCLIP	4
1	1	1	1	1	1	1	1	SILICON		GASKET	3
1	1	1	1	1	1	1	1	PTFE		INSULATOR	2
1	1	-	-	-	-	-	-	BRASS	7	SHELL	1
-	-	1	1	-	-	-	-	BRASS	4	SHELL	1
-	-	-	-	1	1	-	-	STAINLESS STEEL	6	SHELL	1
-	-	-	-	-	-	1	1	STAINLESS STEEL	3	SHELL	1
4--1	4--0	3--1	3--0	2--1	2--0	1--1	1--0	MATERIAL		DESCRIPTION	ITEM
2	1	2	1	2	1	2	1				

RECOMMENDED CRIMP SLEEVE A/F HEX



RECOMMENDED CABLE STRIPPING DIM'S



THIS DRAWING IS A CONTROLLED DOCUMENT.		DWN R.SMITH 03FEB04	<b>STE</b> TE Connectivity	
DIMENSIONS: mm		CHK S.PARLOW 03FEB04		
TOLERANCES UNLESS OTHERWISE SPECIFIED:		APVD F.WHEELER-KING 03FEB04	NAME SMA STRAIGHT PLUG NON CAPTIVE SOLDER CONTACT CRIMP ATTACHMENT	
0 PLC ± -		PRODUCT SPEC 108-3460	RG174A/U, 188A/U, 316/U, KX3B, KX22A	
1 PLC ± -		APPLICATION SPEC 411-3276	SIZE A3	CAGE CODE 00779
2 PLC ± -		WEIGHT -	DRAWING NO C-1478916	RESTRICTED TO -
3 PLC ± -		CUSTOMER DRAWING		
4 PLC ± -		SCALE 1:1		
ANGLES ± -		SHEET 1 OF 1		
FINISH -		REV A1		

## X-ON Electronics

Largest Supplier of Electrical and Electronic Components

*Click to view similar products for [RF Connectors / Coaxial Connectors](#) category:*

*Click to view products by [TE Connectivity](#) manufacturer:*

Other Similar products are found below :

[8915-1511-000](#) [89674-0827](#) [6001-7071-019](#) [6002-7051-003](#) [6002-7551-202](#) [6059674-1](#) [619550-1](#) [630059-000](#) [M39030/3-01N](#) [6500-7071-046](#) [6769](#) [CX050L2AQ](#) [7002-1541-010](#) [7002-1542-011](#) [7004-1512-000](#) [7009-1511-004](#) [7010-1511-000](#) [7029-1511-060](#) [7101-1541-010](#) [7101-1571-002](#) [7105-1521-002](#) [7145-1521-002](#) [7203-1571-003](#) [7209-1511-011](#) [7210-1511-015](#) [7210-1511-019](#) [73137-5015](#) [73216-2241](#) [73404-2300](#) [7405-1521-005](#) [7405-1521-802](#) [8527](#) [8547](#) [FS11V](#) [877931](#) [9049-9513-000](#) [9074-9513-000](#) [9101-9573-002](#) [910A205F](#) [9130-9573-002](#) [PL11SC-026](#) [PL375-33](#) [PL40-5](#) [PL74C-221](#) [PL75MC-217](#) [PL803-7](#) [1200690078](#) [1-201144-1](#) [R107003010W](#) [R110A172100](#)