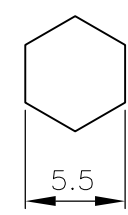


THIS DRAWING IS UNPUBLISHED. RELEASED FOR PUBLICATION APRIL, 2004.  
 © COPYRIGHT 2004 By - ALL RIGHTS RESERVED.

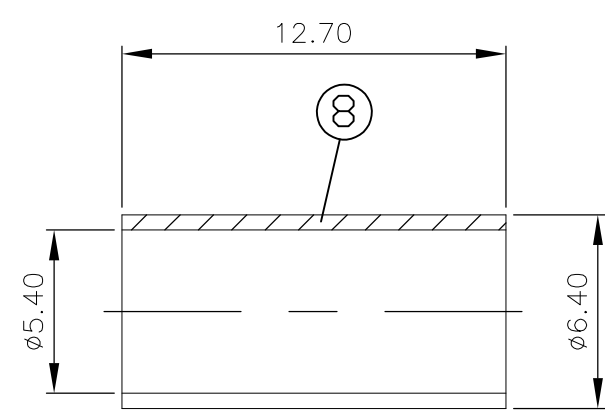
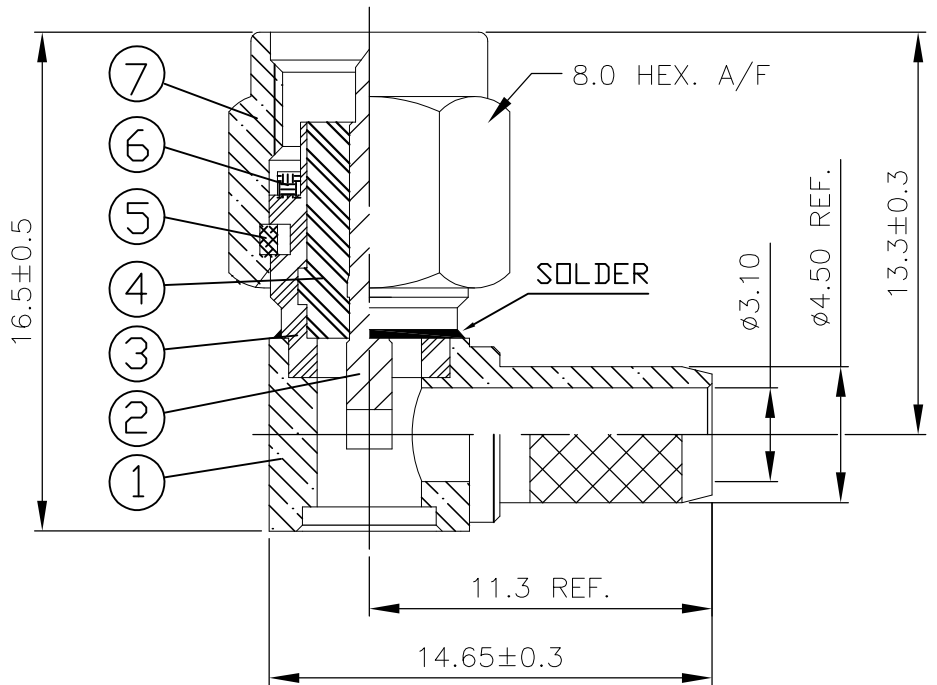
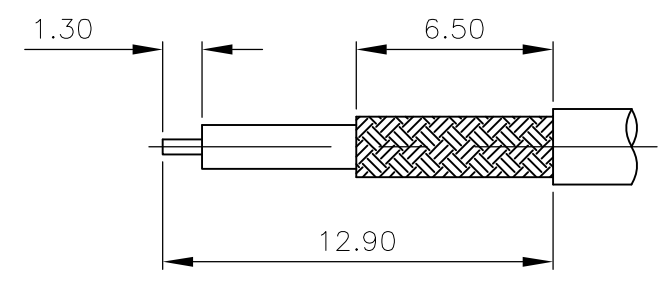
LOC	DIST	REVISIONS			
P	LTR	DESCRIPTION	DATE	DWN	APVD
E	B	A1	REVISED PER ECO-11-005033	01APR11	RK HMR

- NOTES:
- 1 SINGLE PACK IN ACCORDANCE WITH SPEC 107-3275
  - 2 100 TRAY PACK IN ACCORDANCE WITH SPEC 107-3275
  - 3 0.08µm Au PLATING OVER 1.27µm Ni PLATING
  - 4 0.08µm Au PLATING OVER 1.27µm Ni PLATING OVER 0.76µm Cu PLATING
  - 5 0.76µm Au PLATING OVER 1.27µm Ni PLATING OVER 0.76µm Cu PLATING
  - 6 PASSIVATED
  - 7 WHITE BRONZE PLATING
  - 8 PLATING AS PER BODY, EXCEPT FOR PASSIVATED WHICH IS NICKEL PLATED
- 9 HAND TOOL 9-1478240-0  
 10 DIE SET 9-1478242-0  
 11 FOR TECHNICAL DATA REFER TO YOUR LOCAL TE CONNECTIVITY SALES OFFICE  
 12 ALL DIMENSIONS ARE NOMINAL FOR REFERENCE ONLY UNLESS OTHERWISE STATED

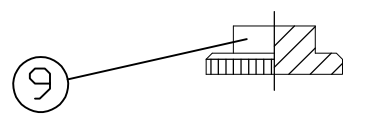
RECOMMENDED  
CRIMP SLEEVE  
A/F HEX



RECOMMENDED  
CABLE STRIPPING DIM'S



QTY	LOC	DIST	P	LTR	DESCRIPTION	DATE	DWN	APVD	ITEM			
1	1	-	-	-	-	-	-	-	BRASS	7	CAP	9
-	-	1	1	-	-	-	-	-	BRASS	4	CAP	9
-	-	-	-	1	1	-	-	-	STAINLESS STEEL	6	CAP	9
-	-	-	-	-	-	1	1	-	STAINLESS STEEL	3	CAP	9
1	1	1	1	1	1	1	1	-	BRASS	8	CRIMP SLEEVE	8
1	1	-	-	-	-	-	-	-	BRASS	7	SHELL	7
-	-	1	1	-	-	-	-	-	BRASS	4	SHELL	7
-	-	-	-	1	1	-	-	-	STAINLESS STEEL	6	SHELL	7
-	-	-	-	-	-	1	1	-	STAINLESS STEEL	3	SHELL	7
1	1	1	1	1	1	1	1	-	SILICON	-	GASKET	6
1	1	1	1	1	1	1	1	-	STAINLESS STEEL	-	CIRCLIP	5
1	1	1	1	1	1	1	1	-	PTFE	-	INSULATOR	4
1	1	-	-	-	-	-	-	-	BRASS	7	BODY	3
-	-	1	1	-	-	-	-	-	BRASS	4	BODY	3
-	-	-	-	1	1	-	-	-	STAINLESS STEEL	6	BODY	3
-	-	-	-	-	-	1	1	-	STAINLESS STEEL	3	BODY	3
1	1	1	1	1	1	1	1	-	BRASS	5	CENTER CONTACT	2
1	1	-	-	-	-	-	-	-	BRASS	7	BODY	1
-	-	1	1	-	-	-	-	-	BRASS	4	BODY	1
-	-	-	-	1	1	-	-	-	STAINLESS STEEL	6	BODY	1
-	-	-	-	-	-	1	1	-	STAINLESS STEEL	3	BODY	1
4--1	4--0	3--1	3--0	2--1	2--0	1--1	1--0	-	MATERIAL	-	DESCRIPTION	ITEM
2	1	2	1	2	1	2	1	-				



THIS DRAWING IS A CONTROLLED DOCUMENT.

DWN: R.SMITH 10FEB04  
 CHK: S.PARLOW 10FEB04  
 APVD: F.WHEELER-KING 10FEB04

PRODUCT SPEC: 108-3460  
 APPLICATION SPEC: 411-3276  
 WEIGHT: -

CUSTOMER DRAWING

STE TE Connectivity

SMA RIGHT ANGLE CRIMP ATTACHMENT  
 CAPTIVE CONTACT  
 RG58C/U, 141A/U, URM43, URM76, KX15

SIZE: A3 CAGE CODE: 00779 DRAWING NO: C-1478923 RESTRICTED TO: -

SCALE: 1:1 SHEET: 1 OF 1 REV: A1

## X-ON Electronics

Largest Supplier of Electrical and Electronic Components

*Click to view similar products for [RF Connectors / Coaxial Connectors](#) category:*

*Click to view products by [TE Connectivity](#) manufacturer:*

Other Similar products are found below :

[8915-1511-000](#) [89674-0827](#) [6001-7071-019](#) [6002-7051-003](#) [6002-7551-202](#) [6059674-1](#) [619550-1](#) [630059-000](#) [M39030/3-01N](#) [6500-7071-046](#) [6769](#) [CX050L2AQ](#) [7002-1541-010](#) [7002-1542-011](#) [7004-1512-000](#) [7009-1511-004](#) [7010-1511-000](#) [7029-1511-060](#) [7101-1541-010](#) [7101-1571-002](#) [7105-1521-002](#) [7145-1521-002](#) [7203-1571-003](#) [7209-1511-011](#) [7210-1511-015](#) [7210-1511-019](#) [73137-5015](#) [73216-2241](#) [73404-2300](#) [7405-1521-005](#) [7405-1521-802](#) [8527](#) [8547](#) [FS11V](#) [877931](#) [9049-9513-000](#) [9074-9513-000](#) [9101-9573-002](#) [910A205F](#) [9130-9573-002](#) [PL11SC-026](#) [PL375-33](#) [PL40-5](#) [PL74C-221](#) [PL75MC-217](#) [PL803-7](#) [1200690078](#) [1-201144-1](#) [R107003010W](#) [R110A172100](#)