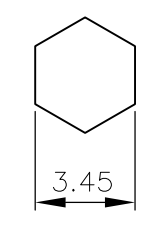


THIS DRAWING IS UNPUBLISHED. RELEASED FOR PUBLICATION APRIL, 2004.
 © COPYRIGHT 2004 By - ALL RIGHTS RESERVED.

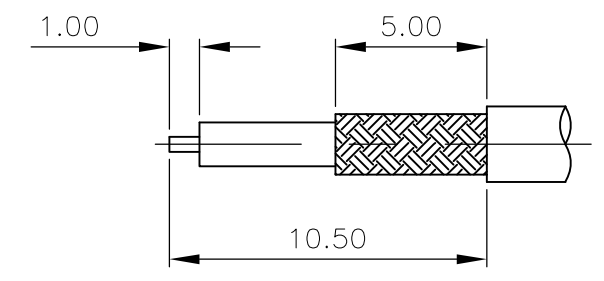
LOC	DIST	REVISIONS			
P	LTR	DESCRIPTION	DATE	DWN	APVD
E	B	A1	REVISED PER ECO-11-005033	01APR11	RK HMR

- NOTES:
- 1 SINGLE PACK IN ACCORDANCE WITH SPEC 107-3275
 - 2 100 TRAY PACK IN ACCORDANCE WITH SPEC 107-3275
 - 3 0.08µm Au PLATING OVER 1.27µm Ni PLATING
 - 4 0.08µm Au PLATING OVER 1.27µm Ni PLATING OVER 0.76µm Cu PLATING
 - 5 0.76µm Au PLATING OVER 1.27µm Ni PLATING OVER 0.76µm Cu PLATING
 - 6 PASSIVATED
 - 7 WHITE BRONZE PLATING
 - 8 PLATING AS PER BODY, EXCEPT FOR PASSIVATED WHICH IS NICKEL PLATED
 - 9 HAND TOOL 9-1478240-0
 - 10 DIE SET 9-1478248-0
 - 11 FOR TECHNICAL DATA REFER TO YOUR LOCAL TE CONNECTIVITY SALES OFFICE
 - 12 ALL DIMENSIONS ARE NOMINAL FOR REFERENCE ONLY UNLESS OTHERWISE STATED

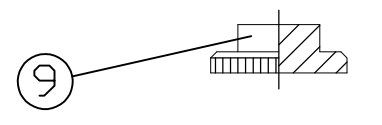
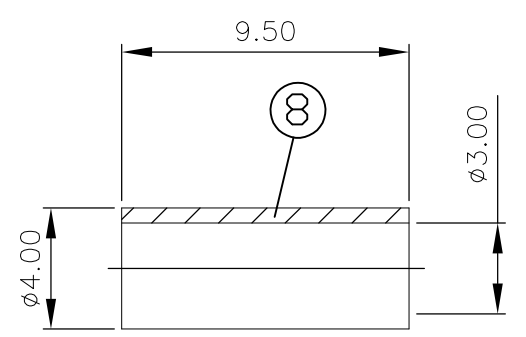
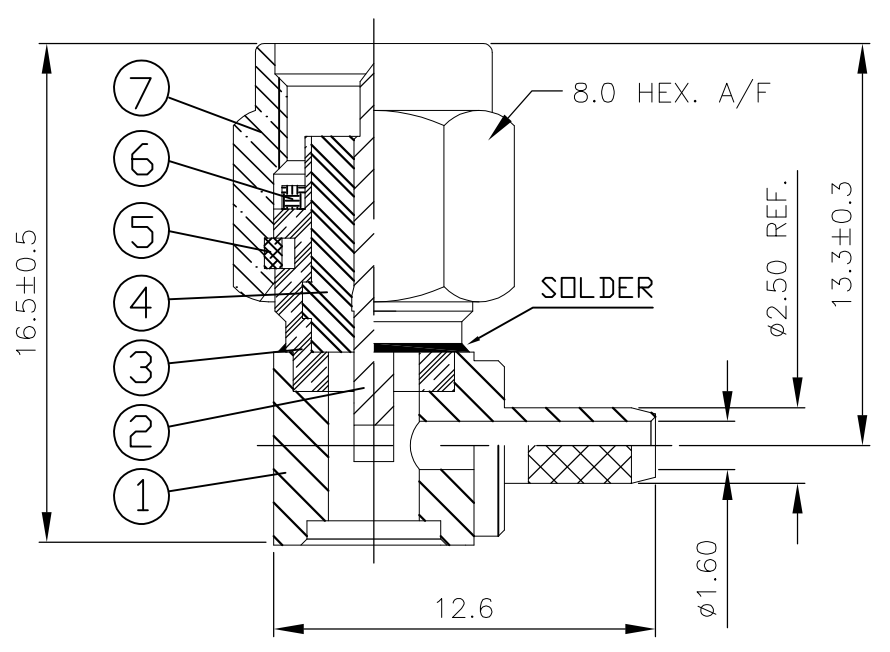
RECOMMENDED
CRIMP SLEEVE
A/F HEX



RECOMMENDED
CABLE STRIPPING DIM'S



QTY	LOC	DIST	P	LTR	DESCRIPTION	DATE	DWN	APVD	MATERIAL	DESCRIPTION	ITEM	
1	1	-	-	-	-	-	-	-	BRASS	7	CAP	9
-	-	1	1	-	-	-	-	-	BRASS	4	CAP	9
-	-	-	-	1	1	-	-	-	STAINLESS STEEL	6	CAP	9
-	-	-	-	-	-	1	1	-	STAINLESS STEEL	3	CAP	9
1	1	1	1	1	1	1	1	-	BRASS	8	CRIMP SLEEVE	8
1	1	-	-	-	-	-	-	-	BRASS	7	SHELL	7
-	-	1	1	-	-	-	-	-	BRASS	4	SHELL	7
-	-	-	-	1	1	-	-	-	STAINLESS STEEL	6	SHELL	7
-	-	-	-	-	-	1	1	-	STAINLESS STEEL	3	SHELL	7
1	1	1	1	1	1	1	1	-	SILICON		GASKET	6
1	1	1	1	1	1	1	1	-	STAINLESS STEEL		CIRCLIP	5
1	1	1	1	1	1	1	1	-	PTFE		INSULATOR	4
1	1	-	-	-	-	-	-	-	BRASS	7	BODY	3
-	-	1	1	-	-	-	-	-	BRASS	4	BODY	3
-	-	-	-	1	1	-	-	-	STAINLESS STEEL	6	BODY	3
-	-	-	-	-	-	1	1	-	STAINLESS STEEL	3	BODY	3
1	1	1	1	1	1	1	1	-	BRASS	5	CENTER CONTACT	2
1	1	-	-	-	-	-	-	-	BRASS	7	BODY	1
-	-	1	1	-	-	-	-	-	BRASS	4	BODY	1
-	-	-	-	1	1	-	-	-	STAINLESS STEEL	6	BODY	1
-	-	-	-	-	-	1	1	-	STAINLESS STEEL	3	BODY	1
4--1	4--0	3--1	3--0	2--1	2--0	1--1	1--0	-	MATERIAL	DESCRIPTION	ITEM	
2	1	2	1	2	1	2	1	-				



THIS DRAWING IS A CONTROLLED DOCUMENT.

DWN: R.SMITH 04FEB04
 CHK: S.PARLOW 04FEB04
 APVD: F.WHEELER-KING 04FEB04

STE TE Connectivity

NAME: SMA RIGHT ANGLE CRIMP ATTACHMENT CAPTIVE CONTACT
 RG174A/U, 188A/U, 316/U, KX3B, KX22A

PRODUCT SPEC: 108-3460
 APPLICATION SPEC: 411-3276

SIZE: A3 CAGE CODE: 00779 DRAWING NO: C-1478924

MATERIAL: SEE TABLE FINISH: -

WEIGHT: -

CUSTOMER DRAWING SCALE: 1:1 SHEET: 1 OF 1 REV: A1

X-ON Electronics

Largest Supplier of Electrical and Electronic Components

Click to view similar products for [RF Connectors / Coaxial Connectors](#) category:

Click to view products by [TE Connectivity](#) manufacturer:

Other Similar products are found below :

[R125315120](#) [8915-1511-000](#) [89674-0827](#) [5916-1103-603](#) [6-0001-3](#) [6001-7071-019](#) [6002-7051-003](#) [6002-7551-202](#) [6059674-1](#) [619550-1](#)
[630059-000](#) [M39012/25-0021](#) [M39012/79-3008](#) [M39030/3-01N](#) [M39030/3-03N](#) [M3933/25-36N](#) [6500-7071-046](#) [M83723/72W24576](#)
[M83723/72W2457N](#) [6769](#) [CX050L2AQ](#) [7002-1541-010](#) [7002-1572-002](#) [7003-1572-002](#) [7010-1511-000](#) [7029-1511-060](#) [7101-1541-010](#)
[7101-1571-002](#) [7105-1521-002](#) [7145-1521-002](#) [7209-1511-011](#) [7210-1511-015](#) [7210-1511-019](#) [7225-1512-050](#) [7242-1511-000](#) [73137-5015](#)
[73251-0111](#) [73251-0672](#) [7325-1512-000](#) [73276-1501](#) [73366-0013](#) [73404-2300](#) [73413-6080](#) [73415-5721](#) [7405-1521-005](#) [7405-1521-802](#)
[7406-1521-005](#) [804S01D04M040](#) [8145-1521-002](#) [81590](#)