

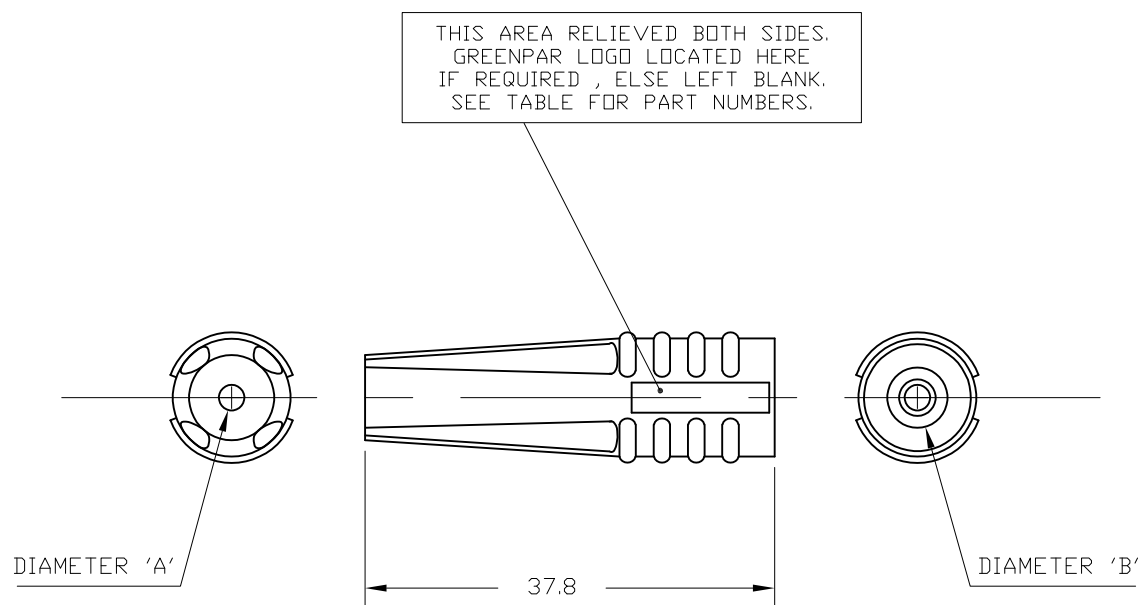
THIS DRAWING IS UNPUBLISHED.

RELEASED FOR PUBLICATION 02-05-2002 . - .

© COPYRIGHT 2002 By -

ALL RIGHTS RESERVED.


| LOC | DIST | REVISIONS | | | | | |
|-----|------|-----------|-----|---------------------------|---------|-----|------|
| E | B | P | LTR | DESCRIPTION | DATE | DWN | APVD |
| | | A1 | | REVISED PER ECO-11-005033 | 31MAR11 | RK | HMR |



| SUITABLE FOR THE FOLLOWING CABLES | |
|-----------------------------------|--|
| <u>GROUP 1</u> | RG174A/U, 188A/U, 316/U, URM95, RG179B/U, 187A/U, URM111 |
| <u>GROUP 2</u> | RG58C/U, 141A/U, URM43,76, BELDEN9907, RG55B/U, 142B/U, 223/U, 400/U, URM301 |
| <u>GROUP 3</u> | RG59B/U, 62A/U, 140/U, URM70/90 |

| | CABLE GROUPS | | | | | |
|--|-------------------|--------------|------------------|--------------|------------------|--------------|
| | GROUP 1 RG174 etc | | GROUP 2 RG58 etc | | GROUP 3 RG59 etc | |
| DIAM. A | 3.2/3.6 tapering | | 4.9/5.6 tapering | | 5.7/6.4 tapering | |
| DIAM. B | 5.6 | | 5.9 | | 7.1 | |
| BLACK | 1- - 6 | 2- - 6 | 3- - 6 | 4- - 6 | 5- - 6 | 6- - 6 |
| RED | 1- - 5 | 2- - 5 | 3- - 5 | 4- - 5 | 5- - 5 | 6- - 5 |
| GREEN | 1- - 4 | 2- - 4 | 3- - 4 | 4- - 4 | 5- - 4 | 6- - 4 |
| YELLOW | 1- - 3 | 2- - 3 | 3- - 3 | 4- - 3 | 5- - 3 | 6- - 3 |
| BLUE | 1- - 2 | 2- - 2 | 3- - 2 | 4- - 2 | 5- - 2 | 6- - 2 |
| WHITE | 1- - 1 | 2- - 1 | 3- - 1 | 4- - 1 | 5- - 1 | 6- - 1 |
| ORANGE | 1- - 0 | 2- - 0 | 3- - 0 | 4- - 0 | 5- - 0 | 6- - 0 |
| | WITH LOGO | WITHOUT LOGO | WITH LOGO | WITHOUT LOGO | WITH LOGO | WITHOUT LOGO |
| FIGURES ARE PREFIX AND SUFFIX TO BASE NUMBER EG : 1-1478996-4. USE THE BASE NUMBER 1478996 THROUGHOUT THE TABLE. | | | | | | |

10 SLEEVES (BOOTS) ARE PACKED INTO A SEALED PLASTIC BAG .
 10 BAGS ARE PACKED INTO A BOX.
 (QTY PER BOX = 100 ITEMS)

| | | | | | | | | | | | | | | | | | |
|--|-------|--------------------------------|---|--------------|--------------------|-------------------------|--------------------|-------|-----|-------|-----|--------|-----|---------------------|--|--|--|
| THIS DRAWING IS A CONTROLLED DOCUMENT. | | DWN R.GOODALL 02-MAY-02 |  TE Connectivity | | | | | | | | | | | | | | |
| DIMENSIONS: mm | | CHK A.BEKEN 02-05-02 | | | | | | | | | | | | | | | |
| TOLERANCES UNLESS OTHERWISE SPECIFIED: | | APVD C.KAMINSKI 02-05-02 | NAME | | | | | | | | | | | | | | |
| <table border="0"> <tr><td>0 PLC</td><td>± -</td></tr> <tr><td>1 PLC</td><td>± 0.2</td></tr> <tr><td>2 PLC</td><td>± -</td></tr> <tr><td>3 PLC</td><td>± -</td></tr> <tr><td>4 PLC</td><td>± -</td></tr> <tr><td>ANGLES</td><td>± -</td></tr> </table> | | 0 PLC | ± - | 1 PLC | ± 0.2 | 2 PLC | ± - | 3 PLC | ± - | 4 PLC | ± - | ANGLES | ± - | PRODUCT SPEC N/A | STRAIN RELIEF SLEEVES (BOOTS) FOR R/F COAX CONNECTORS CABLE GROUPS RG174, RG58, RG59 | | |
| 0 PLC | ± - | | | | | | | | | | | | | | | | |
| 1 PLC | ± 0.2 | | | | | | | | | | | | | | | | |
| 2 PLC | ± - | | | | | | | | | | | | | | | | |
| 3 PLC | ± - | | | | | | | | | | | | | | | | |
| 4 PLC | ± - | | | | | | | | | | | | | | | | |
| ANGLES | ± - | | | | | | | | | | | | | | | | |
| MATERIAL PVC | | FINISH LIGHT SPARK | APPLICATION SPEC N/A | SIZE A3 | CAGE CODE 00779 | DRAWING NO C-1478996 | RESTRICTED TO - | | | | | | | | | | |
| CUSTOMER DRAWING | | | WEIGHT - | SCALE NTS | SHEET 1 OF 1 | REV A1 | | | | | | | | | | | |

X-ON Electronics

Largest Supplier of Electrical and Electronic Components

Click to view similar products for [Heat Shrink Cable Boots & End Caps](#) category:

Click to view products by [TE Connectivity](#) manufacturer:

Other Similar products are found below :

[577159N001](#) [645494-000](#) [CX4132-000](#) [687025-000](#) [705331-000](#) [718446-000](#) [725666N001](#) [729257-000](#) [F27131-000](#) [F85868-000](#) [770-003S106W2](#) [770-013210W1](#) [770-013311](#) [770-013312](#) [806542N001](#) [807507-000](#) [808059-000](#) [808362-000](#) [808618-000](#) [809125-000](#) [809130-000](#) [809218-000](#) [812014-000](#) [812047-000](#) [813166-000](#) [813767N002](#) [814741-000](#) [819117N001](#) [823026-000](#) [823070-000](#) [825002-000](#) [841189N001](#) [861471-000](#) [866647-000](#) [879515-000](#) [937577-000](#) [957073-000](#) [982033-2](#) [A77813-000](#) [R280576000](#) [D96192-000](#) [163549-000](#) [MTPSRBCL-C](#) [1954015-1](#) [200W531-3-0](#) [202A163-4-0-CS5067](#) [202A343-3-00-0](#) [202B221-13-0](#) [202B231-13-0](#) [202B563-25-07-0](#)