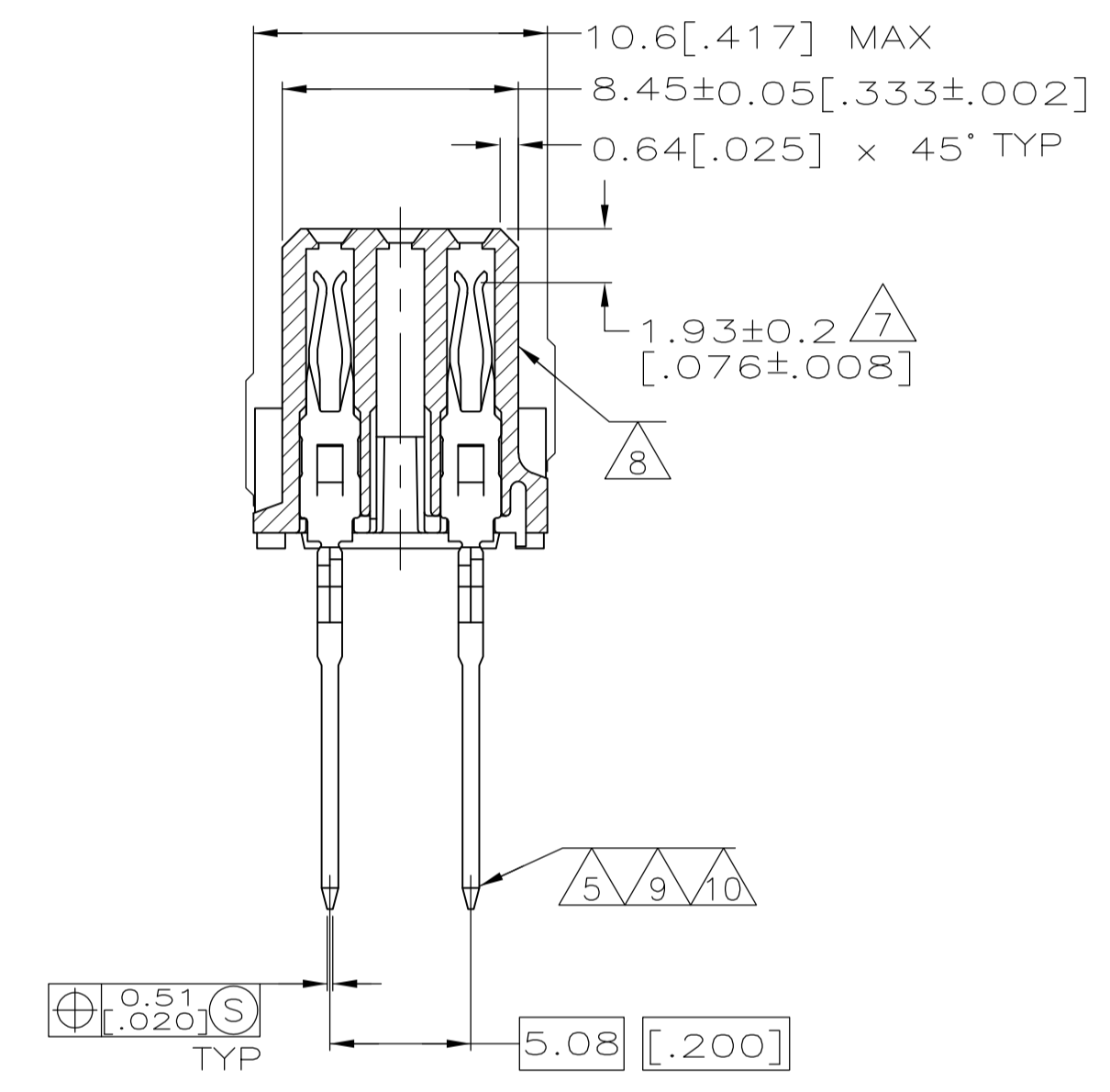
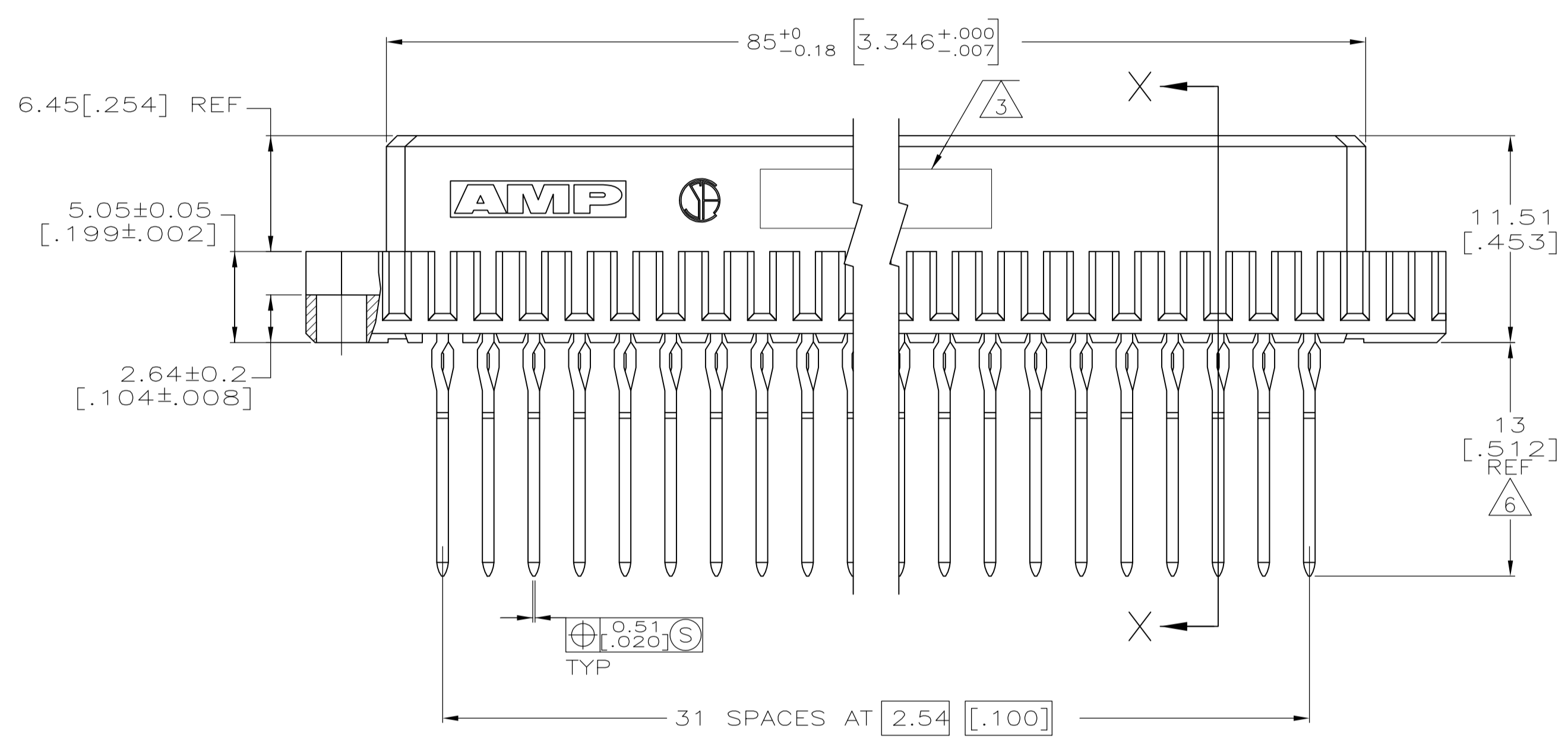
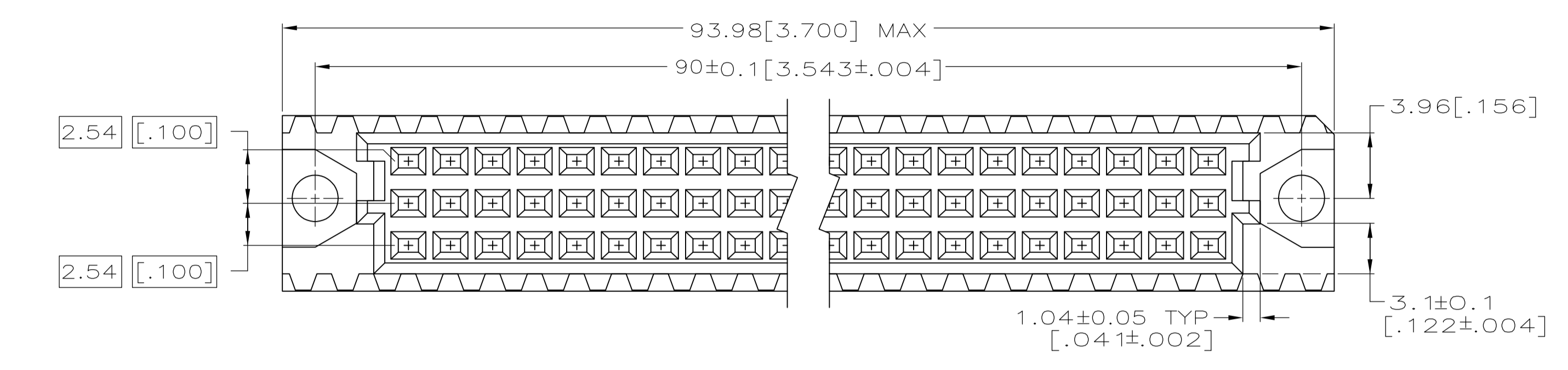
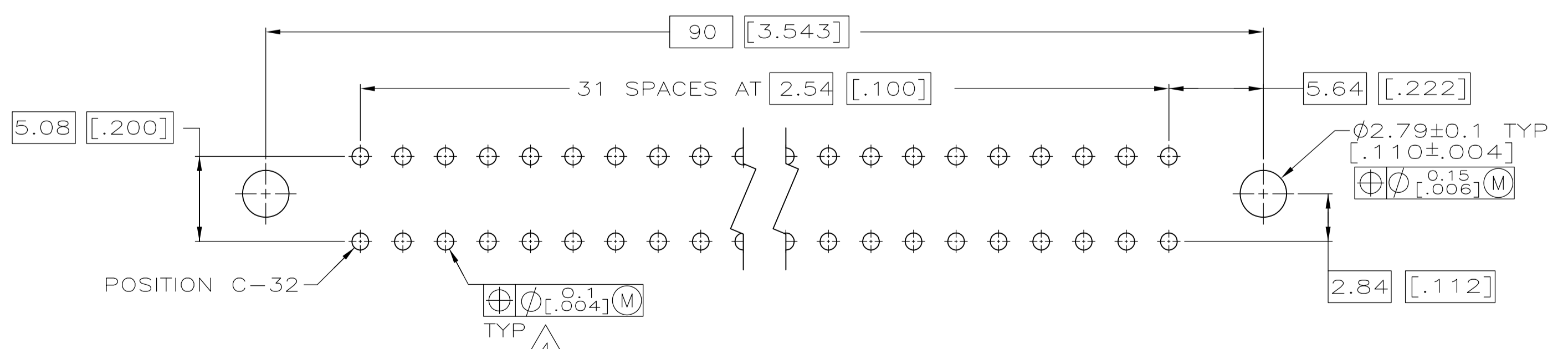
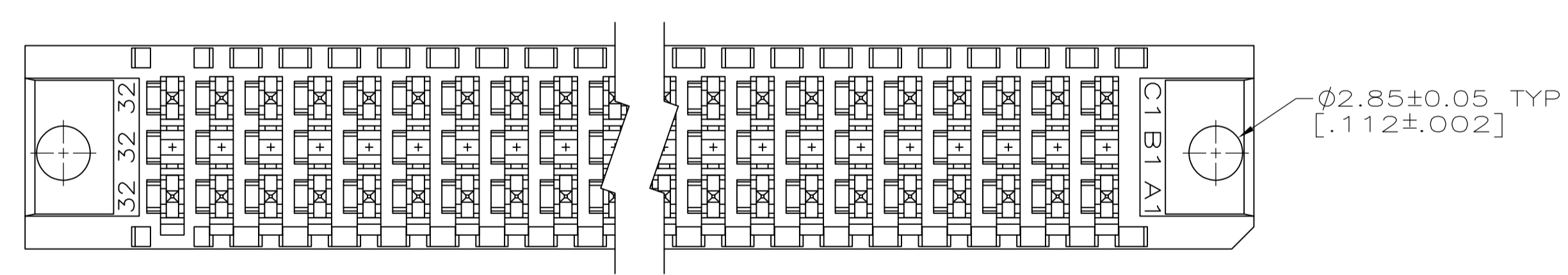


- ① HOUSING MATERIAL: GLASS-FILLED POLYESTER. COLOR: GRAY.
- ② CONTACT MATERIAL: PHOSPHOR BRONZE.
- ③ PART NUMBER AND DATE CODE HOT STAMPED IN THIS APPROXIMATE AREA ON EITHER SIDE OF CONNECTOR.
- ④ ACTION PIN POSTS REQUIRE 1.57[.062] MINIMUM THICK PC BOARD. RECOMMENDED PC BOARD DRILLED HOLES ARE 1.15±0.025[.0453±.0010] DIAMETER WITH 0.02-0.08[.001-.003] COPPER AND 0.008[.0003] MINIMUM TIN-LEAD PLATING. FINISHED HOLE AFTER PLATING IS 1.02±0.08[.040±.002] DIAMETER.
- ⑤ CONTACT FINISH: DIN 41612 CLASS 2 IN CONTACT AREA. TIN-LEAD PLATE ON POSTS.
- ⑥ TAIL LENGTH AFTER SEATING IN PC BOARD.
- ⑦ CONTACT POINT AFTER SEATED IN PC BOARD.
- ⑧ HOT STAMPING ON THIS SIDE.
- ⑨ CONTACT FINISH: DIN 41612 CLASS 2 IN CONTACT AREA AND LAST 5.08[.200] OF POST.
- ⑩ CONTACT FINISH: 0.00076[.000030] GOLD IN CONTACT AREA AND LAST 5.08[.200] OF POST. 0.00127[.000050] NICKEL UNDERPLATE ALL OVER.



SECTION X-X



PC BOARD LAYOUT

	⑨	1-32	X	-	X	64	1-148167-5
OBSOLETE	⑩	1-32	X	-	X	64	1-148167-4
OBSOLETE	⑤	1-32	X	-	X	64	148167-5
NOTES	POSITIONS LOADED		ROWS LOADED		NO. OF LOADED POSITION	PART NUMBER	
			C	B	A		

THIS DRAWING IS A CONTROLLED DOCUMENT.		DIN L. BRINER 6/20/95	TE Connectivity RECEPTACLE ASSEMBLY, EUROCARD, TYPE C	
DIMENSIONS: mm [INCHES]		CHK C. RICHARD 6/20/95		
TOLERANCES UNLESS OTHERWISE SPECIFIED:		APVD C. RICHARD 6/20/95	NAME	
0 PLC ± -	1 PLC ± -	PRODUCT SPEC	SIZE	
2 PLC ± 0.13[.005]	3 PLC ± -	APPLICATION SPEC	CAGE CODE	
4 PLC ± -	ANGLES ± -		DRAWING NO	
MATERIAL	FINISH	WEIGHT	RESTRICTED TO	
① ②	⑤ ⑨ ⑩	A1 00779 148167	SCALE 4:1 SHEET 1 OF 1 REV H	
CUSTOMER DRAWING				

X-ON Electronics

Largest Supplier of Electrical and Electronic Components

Click to view similar products for [DIN 41612 Connectors](#) category:

Click to view products by [TE Connectivity](#) manufacturer:

Other Similar products are found below :

[004.767](#) [608489050008049](#) [691327-1](#) [74670-0732](#) [74680-0340](#) [75880-0015](#) [76453-0014](#) [86093159ALF](#) [9732967801](#) [QLC260R](#)
[120X10019X](#) [120X10089X](#) [122A10249X](#) [122A11089X](#) [122A13089X](#) [122A10089X](#) [122A10129X](#) [122A10349X](#) [122A13359X](#) [1377391-4](#)
[DIN-048CPC-SR1-MH](#) [1393583-2](#) [1393726-7](#) [140X10129X](#) [143-1913-000](#) [143-1908-000](#) [1484472-1](#) [2110070-1](#) [2110070-2](#) [CBC20T00-](#)
[008FDS5-0-1-002VR](#) [172699-5036](#) [2-1393557-4](#) [2-1437084-2](#) [394506](#) [419-2080-402](#) [V42254B2202C968](#) [419-2086-201](#) [419-2087-002](#)
[448657-1](#) [448847-3](#) [5-1393755-9](#) [02990000004](#) [054302](#) [043556](#) [09062483201750](#) [0850033067](#) [09031646555](#) [09061486901840](#)
[09185107324800](#) [102A10019X](#)