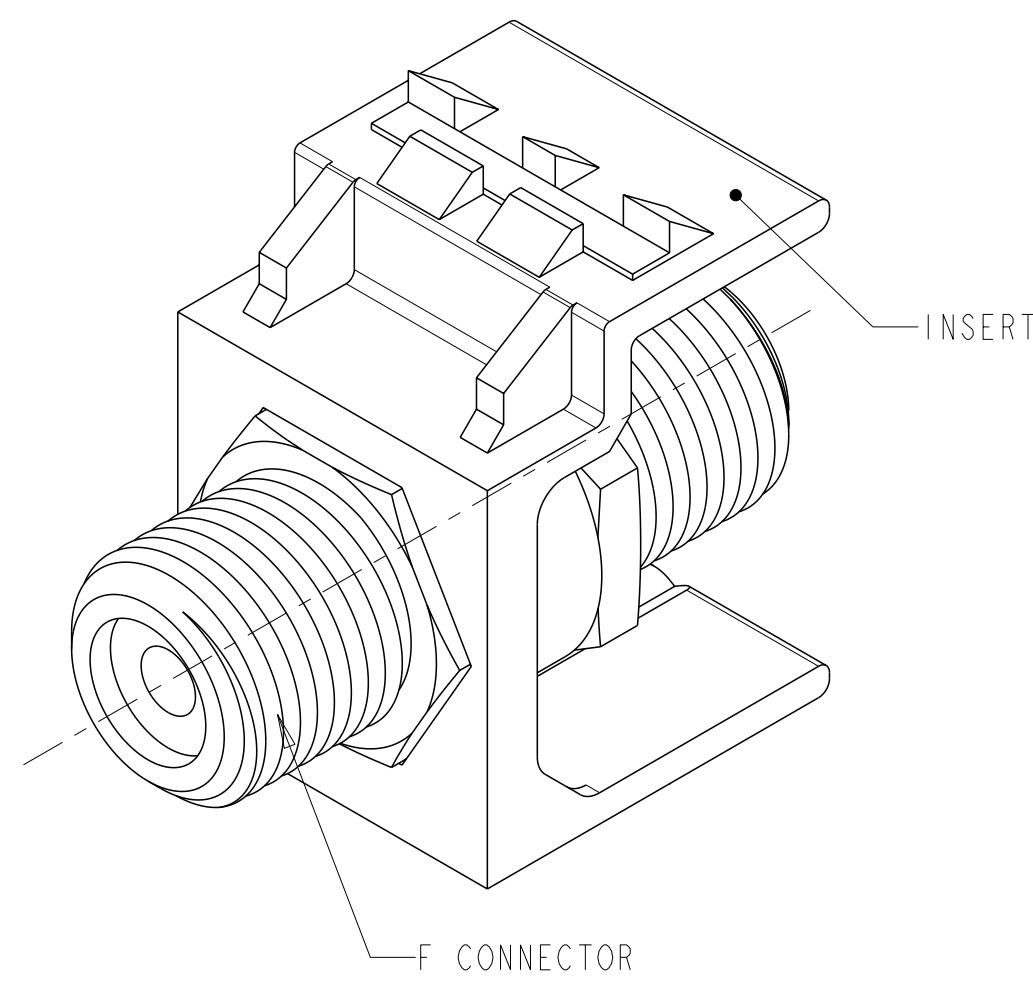


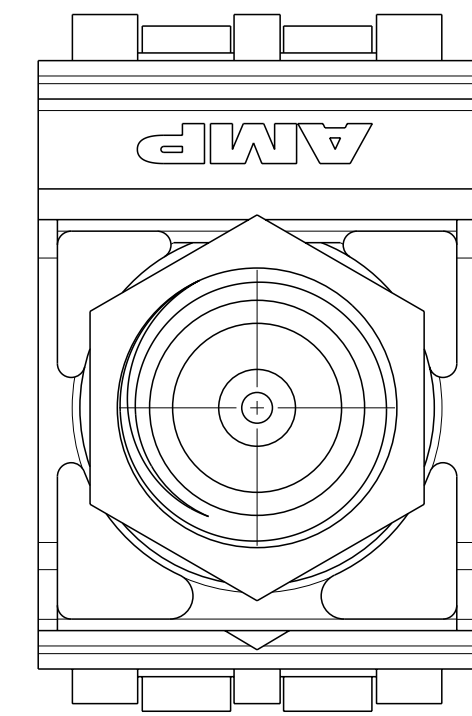
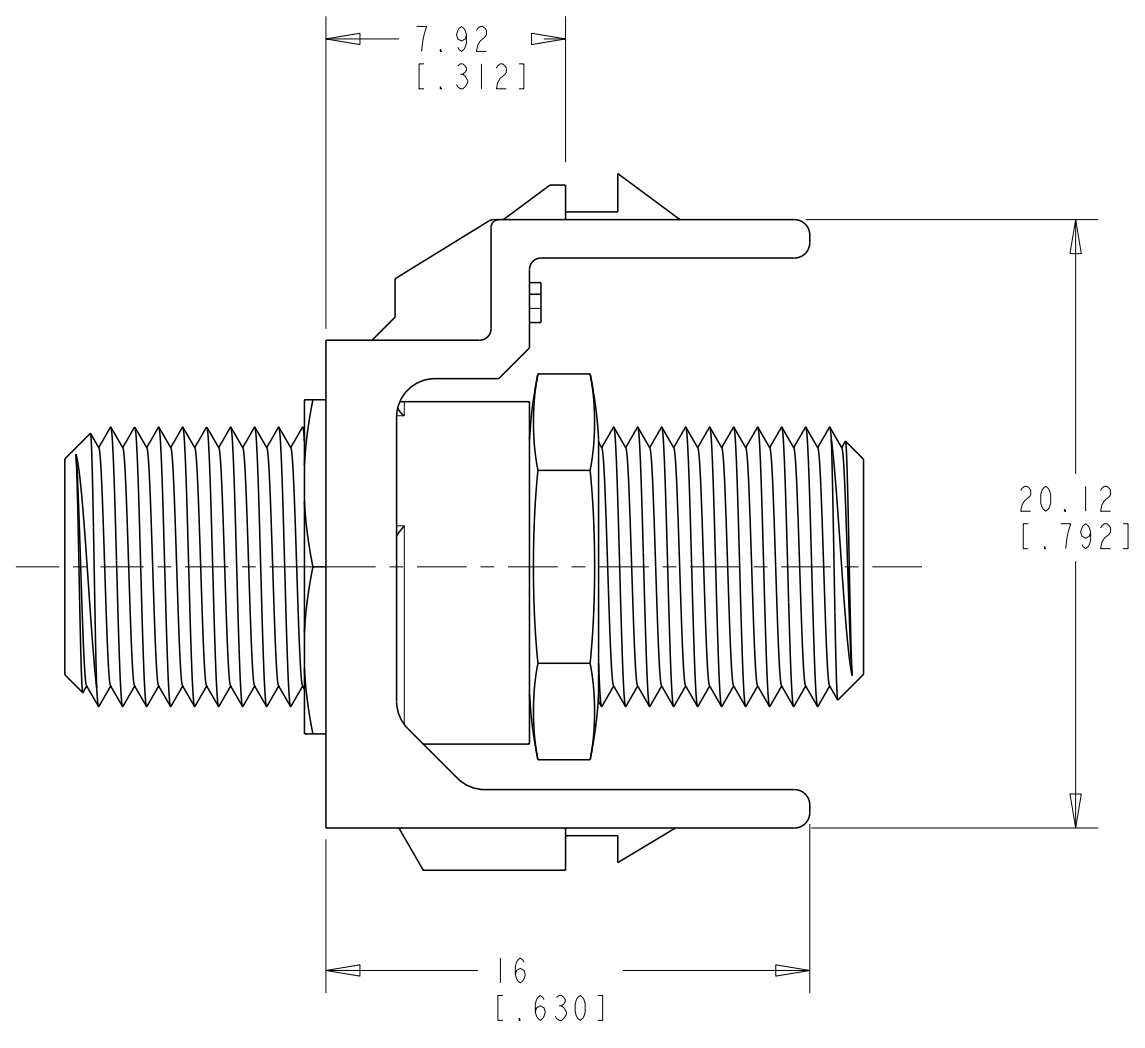
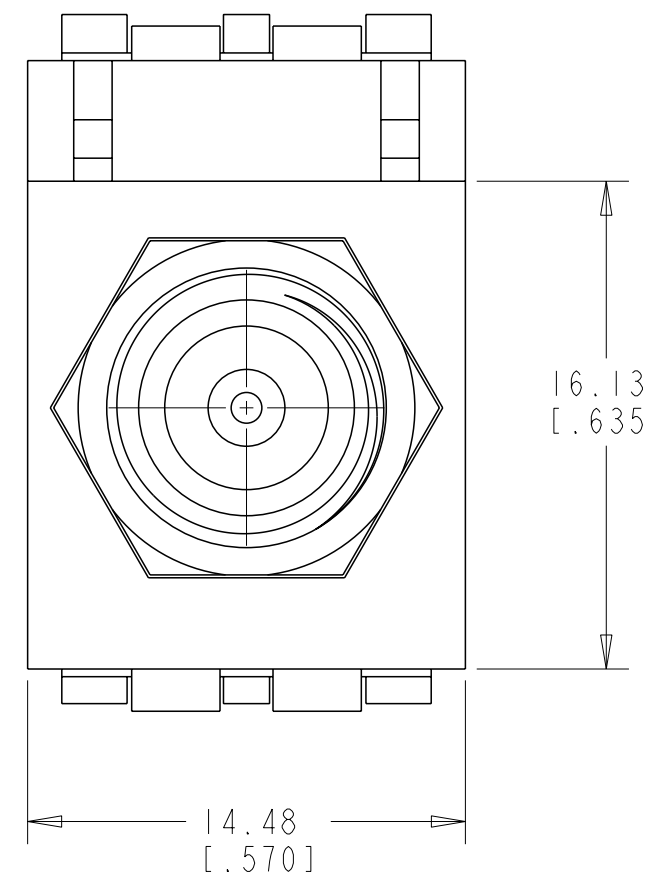
THIS DRAWING IS UNPUBLISHED. RELEASED FOR PUBLICATION
 © COPYRIGHT 20 BY - ALL RIGHTS RESERVED.

LOC	DIST	REVISIONS					
HM	00	P	LTR	DESCRIPTION	DATE	DWN	APVD
		B		REV; ECO-10-010362	18MAY2010	GG	RA
		C		REV ECO-11-005530	17MAR2011	LH	RA
		D		REV; 40028489MCO	17FEB2016	GG	LS





1 MATERIAL:
 INSERT: POLYCARBONATE MOLDING COMPOUND.
 SEE TABLE FOR COLOR.
 CONNECTOR: NICKEL PLATED ZINC.

2. ELECTRICAL SPECIFICATION:
 IMPEDANCE: 75 Ohms.
 INSULATION RESISTANCE: 500M Ohms.
 WITHSTAND VOLTAGE: 500 VAC ONE MINUTE.
 VOLTAGE RATING: 150 VAC.
 DURABILITY: 500 CYCLES.
 BANDWIDTH: -41.25dB@1.0GHz
 -29.85dB@2.0GHz
 -26.48dB@2.5GHz
 -21.12dB@3.0GHz



ALPINE WHITE	I-1499855-3
ELEC IVORY	I-1499855-1
GRAY	I499855-4
WHITE	I499855-3
BLACK	I499855-2
LT ALMOND	I499855-1
COLOR	PART NO

THIS DRAWING IS A CONTROLLED DOCUMENT.		DWN	J MCNEAL	16 JAN 2006	 TE Connectivity
DIMENSIONS:		CHK	G BOWMAN	23 MAR 2006	
TOLERANCES UNLESS OTHERWISE SPECIFIED:		APVD	G BOWMAN	23 MAR 2006	
mm		PRODUCT SPEC	NAME		
0 PLC ± 1 PLC ± 2 PLC ±.13 [.005] 3 PLC ± 4 PLC ± ANGLES ± FINISH		APPLICATION SPEC		ASSY, F INSERT, 3 GHz, SL SERIES	
MATERIAL		WEIGHT		SIZE	
		-		A2 00779	
CUSTOMER DRAWING		SCALE		DRAWING NO	
		4:1		C-1499855	
		SHEET		RESTRICTED TO	
		1 OF 1		-	
		REV		D	

X-ON Electronics

Largest Supplier of Electrical and Electronic Components

Click to view similar products for [RF Adapters - In Series](#) category:

Click to view products by [TE Connectivity](#) manufacturer:

Other Similar products are found below :

[5916-1103-603](#) [5918-1103-000](#) [5919-1503-000](#) [651A505](#) [82-5552](#) [9030-9523-502](#) [PN2C](#) [A0407000](#) [R114703000W](#) [R125704000](#)
[R125771001](#) [R141710000W](#) [R141723161](#) [R141730000](#) [R143730700](#) [R143770000](#) [R161703000W](#) [R161753000W](#) [R161791530W](#)
[R201705000](#) [R222705200](#) [R222M40010W](#) [R316754000](#) [R405006000](#) [R443162000](#) [AD78TL](#) [HRM-513S](#) [1996352-2](#) [2157155-1](#) [252169-75](#)
[AD158](#) [2101130-1](#) [252186](#) [R114704000W](#) [R114720000W](#) [R125705001](#) [R125705701](#) [R125771000](#) [R125771001W](#) [R125791501W](#)
[R127704001](#) [R127.870.001](#) [R127872001](#) [R141717000](#) [R142710000](#) [R142723000](#) [R143703000](#) [R143704000](#) [R143705700](#) [R161715000W](#)