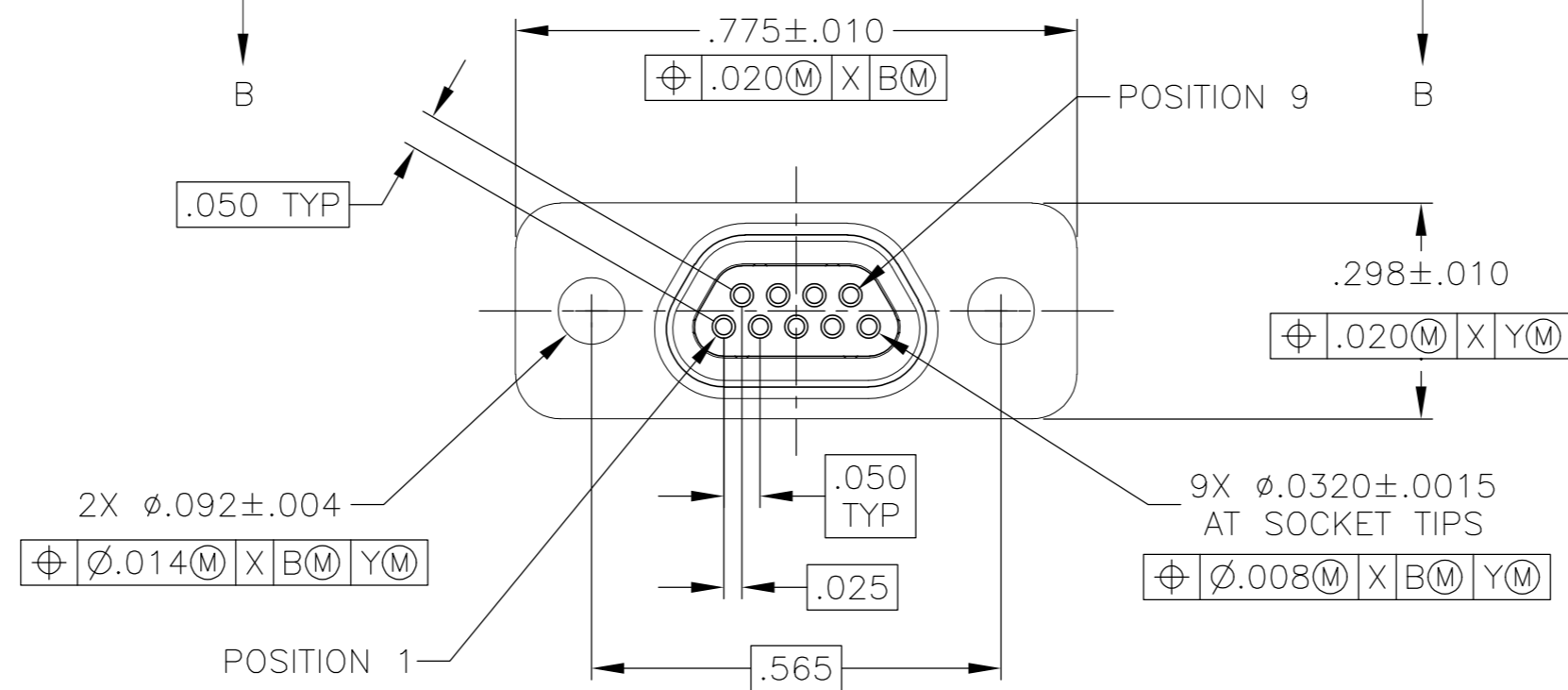


THIS DRAWING IS UNPUBLISHED. RELEASED FOR PUBLICATION
 © COPYRIGHT BY TYCO ELECTRONICS CORPORATION. ALL INTERNATIONAL RIGHTS RESERVED.

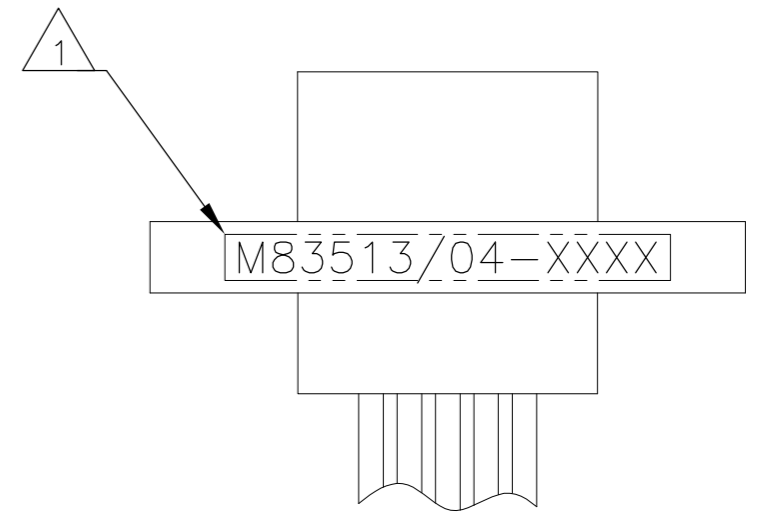
LOC		DIST		REVISIONS			
P	LTR	DESCRIPTION	DATE	DWN	APVD		
A		PRODUCTION RELEASE	03 SEP 08	BJR	MKS		



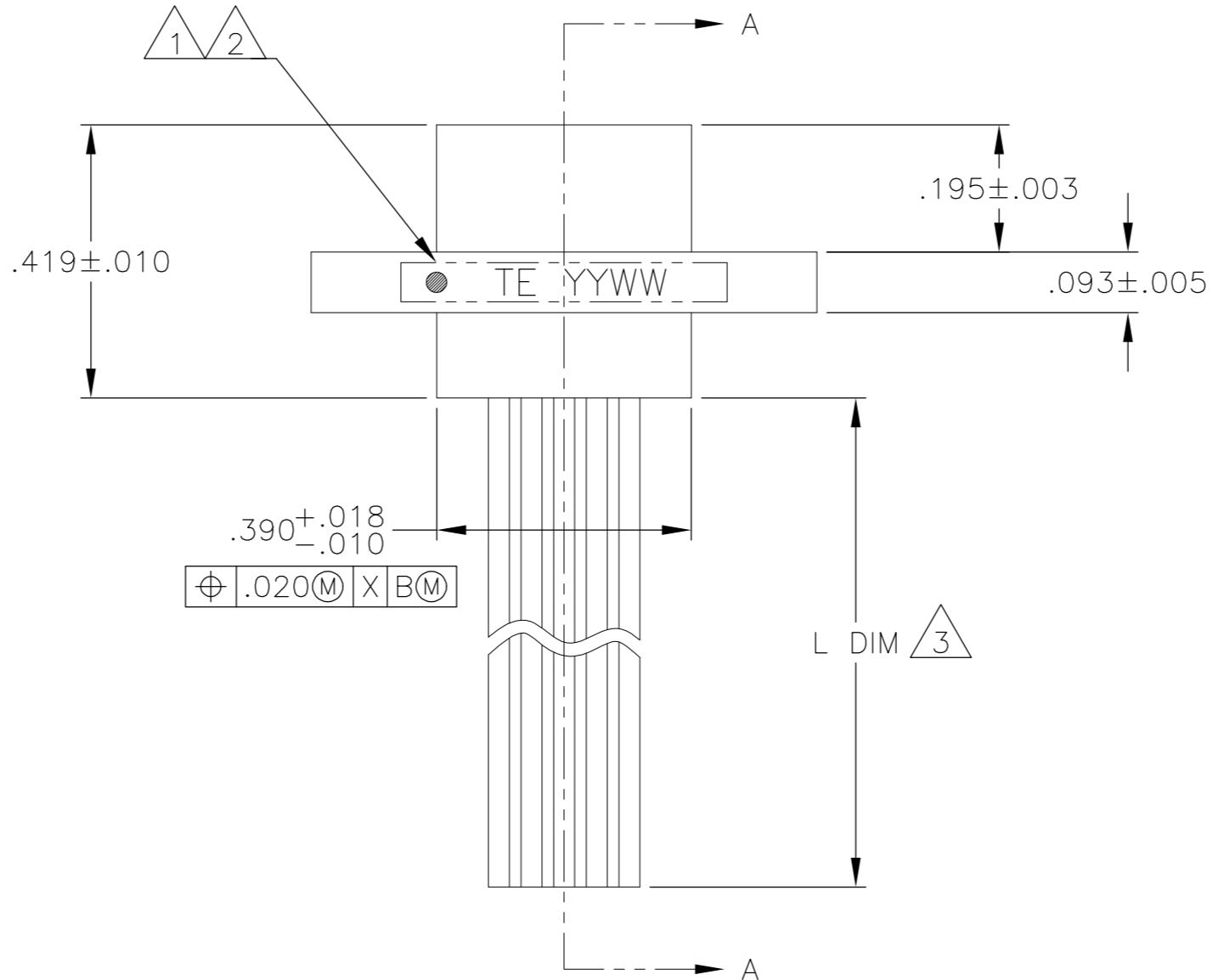
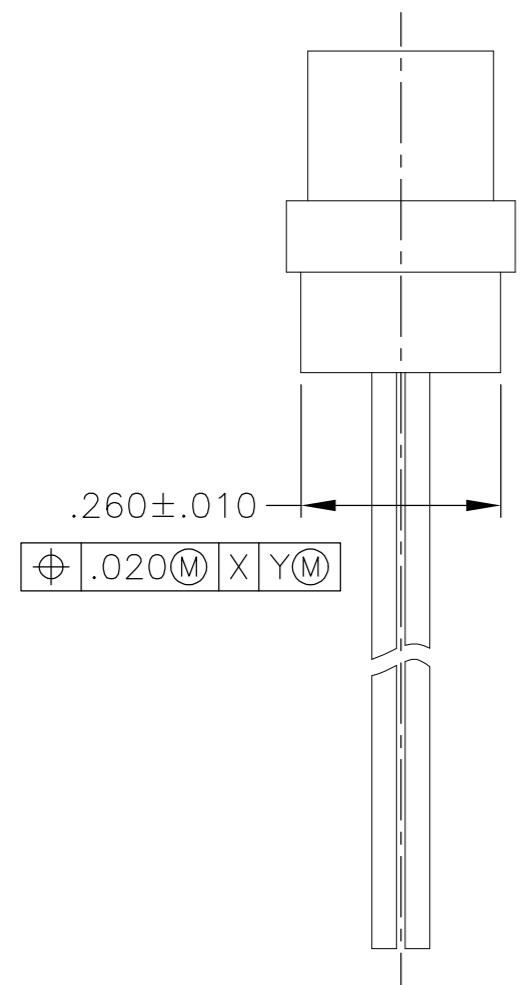
INTERFACE DETAIL



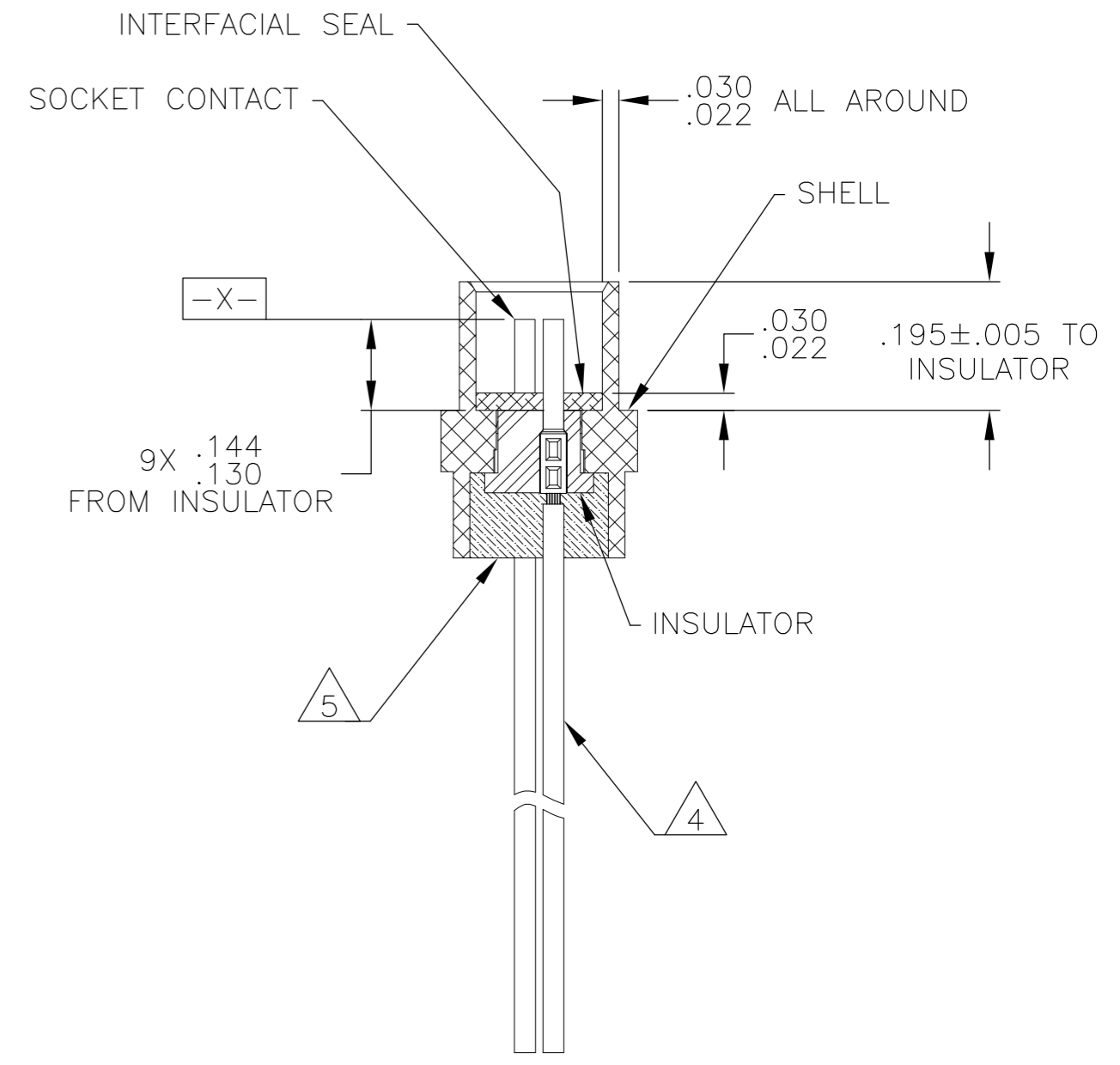
POSITION 1



VIEW B-B



L DIM 3



SECTION A-A

- 1 CONNECTOR SHALL BE MARKED IN ACCORDANCE WITH METHOD 1 OF MIL-STD-1285. MARKING SHALL CONTAIN THE MILITARY PIN, CAGE CODE (OR TE), AND DATE CODE. EXAMPLE: M83513/04-XXXX TE YYWW (WHERE XXXX IS PART OF THE PIN SHOWN IN THE "MIL-DTL-83513" COLUMN OF PART NUMBER TABLE, AND YYWW IS THE DATE CODE). FOR THE SIZE 9 RECEPTACLE, THE MARKING MUST BE PRINTED ON BOTH SIDES OF THE FLANGE. TEXT HEIGHT SHALL BE .035 INCH MINIMUM.
- 2 POSITION 1 SHALL BE INDICATED BY AN IDENTIFIABLE MARK, LOCATED APPROXIMATELY AS SHOWN ON THE POSITION 1 SIDE OF THE CONNECTOR FLANGE. THIS MARK SHALL BE INCLUDED AS PART OF THE PART MARKING INFORMATION.
- 3 LENGTH IS SHOWN IN THE "L DIM" COLUMN OF THE PART NUMBER TABLE. LENGTH TOLERANCE IS +1.0/-0.0 FOR INSULATED WIRE TERMINATIONS, AND +0.20/-0.00 FOR UNINSULATED WIRE TERMINATIONS
- 4 INSULATED WIRE IS SHOWN FOR REFERENCE ONLY. PART MAY BE TERMINATED WITH INSULATED OR UNINSULATED WIRE ACCORDING TO THE PART NUMBER TABLE.
- 5 EPOXY ENCAPSULATION. EPOXY MAY WICK .125 INCH MAX FOR INSULATED WIRE, AND .050 INCH MAX FOR UNINSULATED WIRE.
- 6 ALL DIMENSIONS AND REQUIREMENTS ARE PER MIL-DTL-83513/4

THIS DRAWING IS A CONTROLLED DOCUMENT.		DWN B. ROMANCHUK	03 SEP 08	Tyco Electronics Corporation Harrisburg, PA 17105-3608	
DIMENSIONS: INCHES		CHK -	-	NAME RECEPTACLE ASSEMBLY, MICRO-D PER MIL-DTL-83513/04, MCKS SERIES, 9 POSITION	
TOLERANCES UNLESS OTHERWISE SPECIFIED:		APVD M. STORRY	03 SEP 08	CAGE CODE 98278	
0 PLC ± -		PRODUCT SPEC		DRAWING NO 1532171	
1 PLC ± -		APPLICATION SPEC		RESTRICTED TO	
2 PLC ± .010		-		-	
3 PLC ± .005		-		-	
4 PLC ± -		-		-	
ANGLES ± 1°		-		-	
MATERIAL SEE NOTES		FINISH -		SCALE 4:1	
-		WEIGHT -		SHEET 1 of 2	
-		CUSTOMER DRAWING		REV A	

THIS DRAWING IS UNPUBLISHED. RELEASED FOR PUBLICATION
 © COPYRIGHT BY TYCO ELECTRONICS CORPORATION. ALL INTERNATIONAL RIGHTS RESERVED.

LOC	DIST	REVISIONS			
P	LTR	DESCRIPTION	DATE	DWN	APVD
-	-	SEE SHEET 1	-	-	-

TE PART NUMBER	$\triangle 3$	$\triangle 1$	MIL-DTL-83513 PIN	MICRODOT P/N	MCKS DESCRIPTION
	L DIM				
1532171-1	18		M83513/04-A01N	094-6126-0001	MCKS-N1-B-9S6G1-18.0
1532171-2	36		M83513/04-A02N	094-6126-0002	MCKS-N1-B-9S6G1-36.0
1532171-3	18		M83513/04-A03N	094-6126-0003	MCKS-N1-B-9S6G9-18.0
1532171-4	36		M83513/04-A04N	094-6126-0004	MCKS-N1-B-9S6G9-36.0
1532171-5	18		M83513/04-A09N	094-6126-0009	MCKS-N1-B-9S6Q1-18.0
1532171-6	36		M83513/04-A10N	094-6126-0010	MCKS-N1-B-9S6Q1-36.0
1532171-7	18		M83513/04-A11N	094-6126-0011	MCKS-N1-B-9S6Q9-18.0
1532171-8	36		M83513/04-A12N	094-6126-0012	MCKS-N1-B-9S6Q9-36.0
1532171-9	72		M83513/04-A13N	094-6126-0013	MCKS-N1-B-9S6G1-72.0
1-1532171-0	72		M83513/04-A14N	094-6126-0014	MCKS-N1-B-9S6G9-72.0
1-1532171-1	72		M83513/04-A15N	094-6126-0015	MCKS-N1-B-9S6Q1-72.0
1-1532171-2	72		M83513/04-A16N	094-6126-0016	MCKS-N1-B-9S6Q9-72.0
1-1532171-3	0.5		M83513/04-A05N	094-6126-0005	MCKS-N1-B-9S5L4-0.5
1-1532171-4	1.0		M83513/04-A06N	094-6126-0006	MCKS-N1-B-9S5L4-1.0
1-1532171-5	0.5		M83513/04-A07N	094-6126-0007	MCKS-N1-B-9S5L5-0.5
1-1532171-6	1.0		M83513/04-A08N	094-6126-0008	MCKS-N1-B-9S5L5-1.0
1-1532171-7	18		M83513/04-A01C	094-6136-0001	MCKS-C2-B-9S6G1-18.0
1-1532171-8	36		M83513/04-A02C	094-6136-0002	MCKS-C2-B-9S6G1-36.0
1-1532171-9	18		M83513/04-A03C	094-6136-0003	MCKS-C2-B-9S6G9-18.0
2-1532171-0	36		M83513/04-A04C	094-6136-0004	MCKS-C2-B-9S6G9-36.0
2-1532171-1	0.5		M83513/04-A05C	094-6136-0005	MCKS-C2-B-9S5L4-0.5
2-1532171-2	1.0		M83513/04-A06C	094-6136-0006	MCKS-C2-B-9S5L4-1.0
2-1532171-3	0.5		M83513/04-A07C	094-6136-0007	MCKS-C2-B-9S5L5-0.5
2-1532171-4	1.0		M83513/04-A08C	094-6136-0008	MCKS-C2-B-9S5L5-1.0
2-1532171-5	18		M83513/04-A09C	094-6136-0009	MCKS-C2-B-9S6Q1-18.0
2-1532171-6	36		M83513/04-A10C	094-6136-0010	MCKS-C2-B-9S6Q1-36.0
2-1532171-7	18		M83513/04-A11C	094-6136-0011	MCKS-C2-B-9S6Q9-18.0
2-1532171-8	36		M83513/04-A12C	094-6136-0012	MCKS-C2-B-9S6Q9-36.0
2-1532171-9	72		M83513/04-A13C	094-6136-0013	MCKS-C2-B-9S6G1-72.0
3-1532171-0	72		M83513/04-A14C	094-6136-0014	MCKS-C2-B-9S6G9-72.0
3-1532171-1	72		M83513/04-A15C	094-6136-0015	MCKS-C2-B-9S6Q1-72.0
3-1532171-2	72		M83513/04-A16C	094-6136-0016	MCKS-C2-B-9S6Q9-72.0

THIS DRAWING IS A CONTROLLED DOCUMENT.		DWN B. ROMANCHUK	03 SEP 08	Tyco Electronics Corporation Harrisburg, PA 17105-3608	
DIMENSIONS: INCHES	TOLERANCES UNLESS OTHERWISE SPECIFIED:	CHK -	-	APVD M. STORRY	03 SEP 08
	0 PLC ± -	PRODUCT SPEC		NAME RECEPTACLE ASSEMBLY, MICRO-D PER MIL-DTL-83513/04, MCKS SERIES, 9 POSITION	
	1 PLC ± -	APPLICATION SPEC		SIZE A2	
MATERIAL SEE NOTES	FINISH -	WEIGHT -		CAGE CODE 98278	DRAWING NO 1532171
CUSTOMER DRAWING				SCALE 4:1	SHEET 2 of 2
				RESTRICTED TO -	REV A

X-ON Electronics

Largest Supplier of Electrical and Electronic Components

Click to view similar products for [D-Sub Micro-D Connectors](#) category:

Click to view products by [TE Connectivity](#) manufacturer:

Other Similar products are found below :

[89076GBEPR](#) [M2430815F](#) [M243082311F](#) [M2430833F](#) [M2430834F](#) [M24308/4-6F](#) [65-1920-15](#) [M83513/01-HN](#) [M83513/03-A10N](#)
[M83513/03-B14C](#) [M83513/03-D09C](#) [M83513/03-D11N](#) [M83513/03-G02N](#) [M83513/03-G05N](#) [M83513/03-G08C](#) [M83513/03-G09N](#)
[M83513/03-G12N](#) [M83513/03-H13N](#) [M83513/04-E15N](#) [M83513/04-G04C](#) [M83513/10-E01NP](#) [M83513/13-B01NP](#) [M83513/13-C01NN](#)
[M83513/16-A01CP](#) [M83513/22-D01NP](#) [M83513/25-B01NP](#) [6R2004A30F015](#) [6R4006A28A120](#) [703006A13F060](#) [704002A03F200](#)
[705001A13F120](#) [7-1532020-5](#) [748567-1-P](#) [MDM-15PCBRM7T](#) [MDM-15PH003B-A174](#) [MDM-15PH034B](#) [MDM-15SH004B](#) [MDM-](#)
[21PH003K](#) [MDM-21PH003P](#) [MDM-25PH003B-A174](#) [MDM-9PH003M7](#) [MDM-9SH006B](#) [773030D02F030](#) [790-024PA-5MS](#) [790-024PB-](#)
[9ML](#) [790-027SH-10P4MEP](#) [790-041PJ-25P2MPA](#) [791-004SH-66MSA](#) [7R3A00A19A1201](#) [7R3A04A19A120](#)