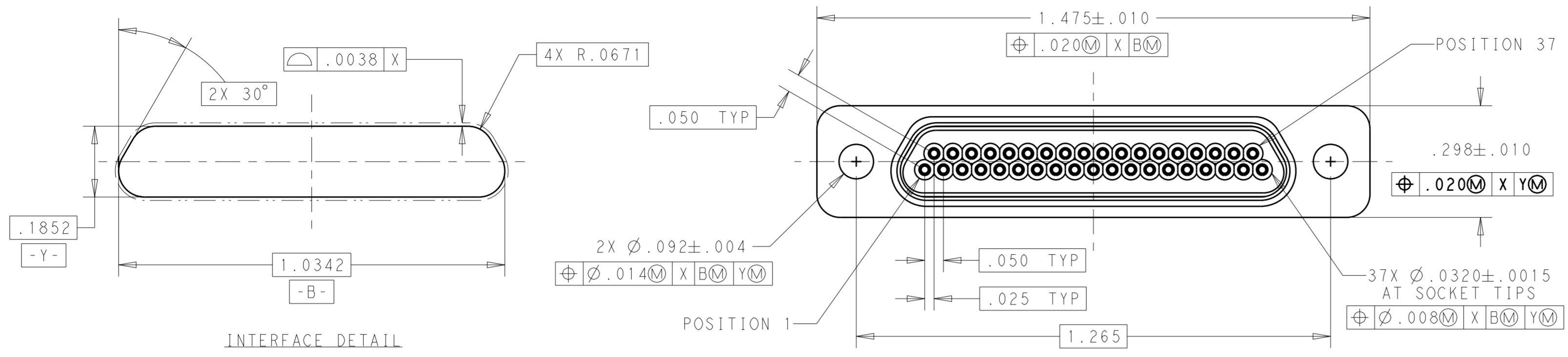
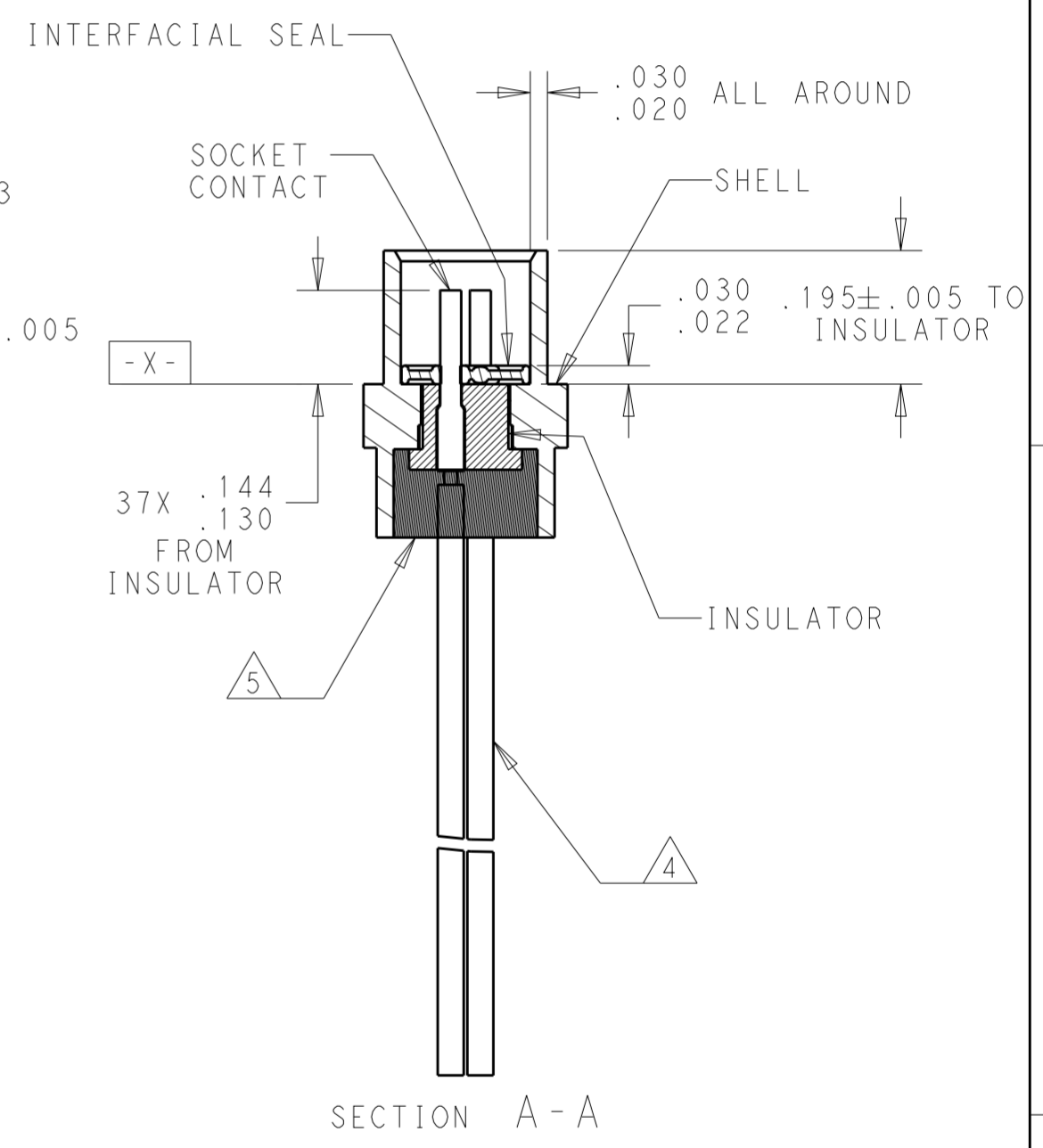
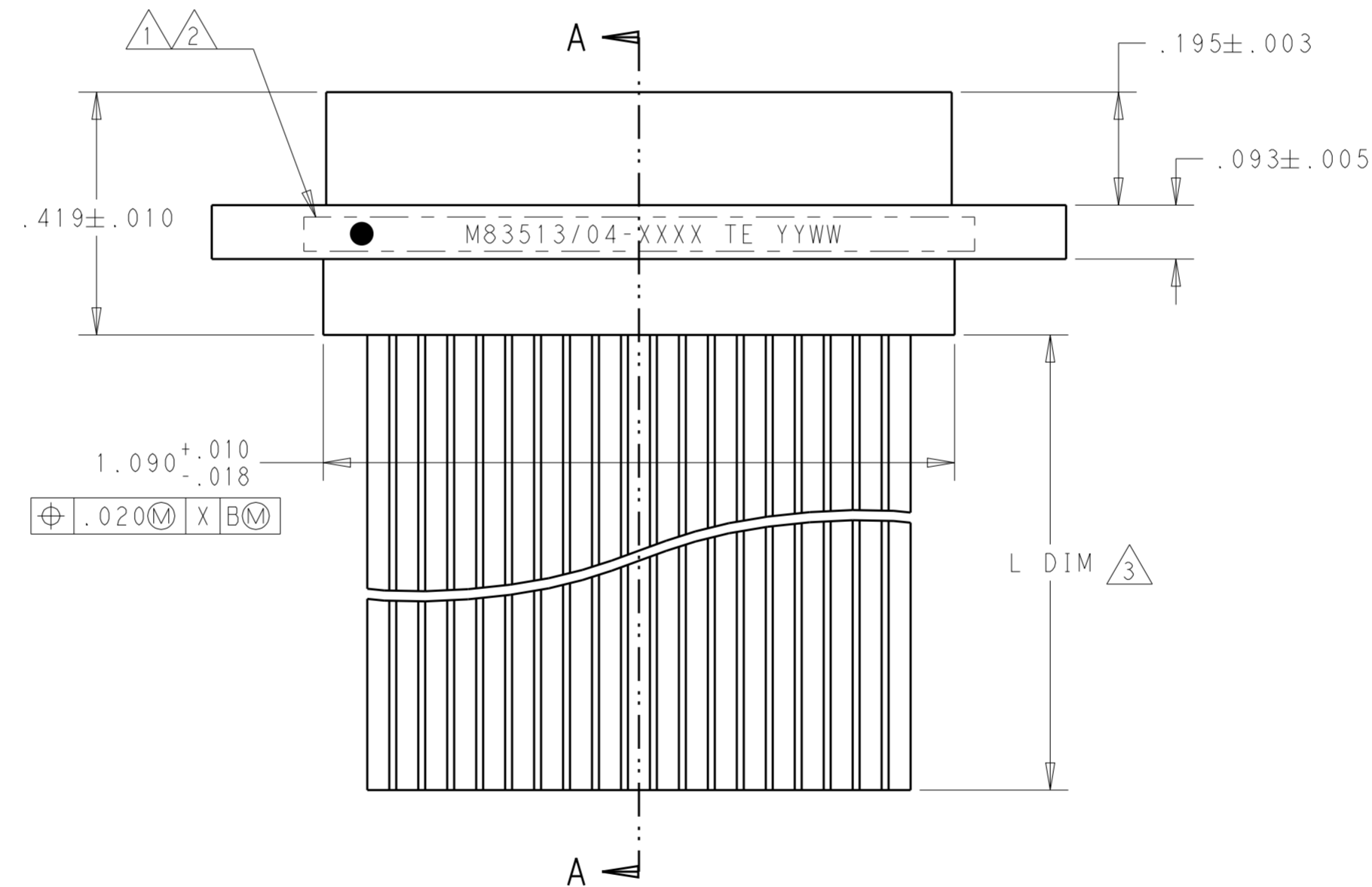
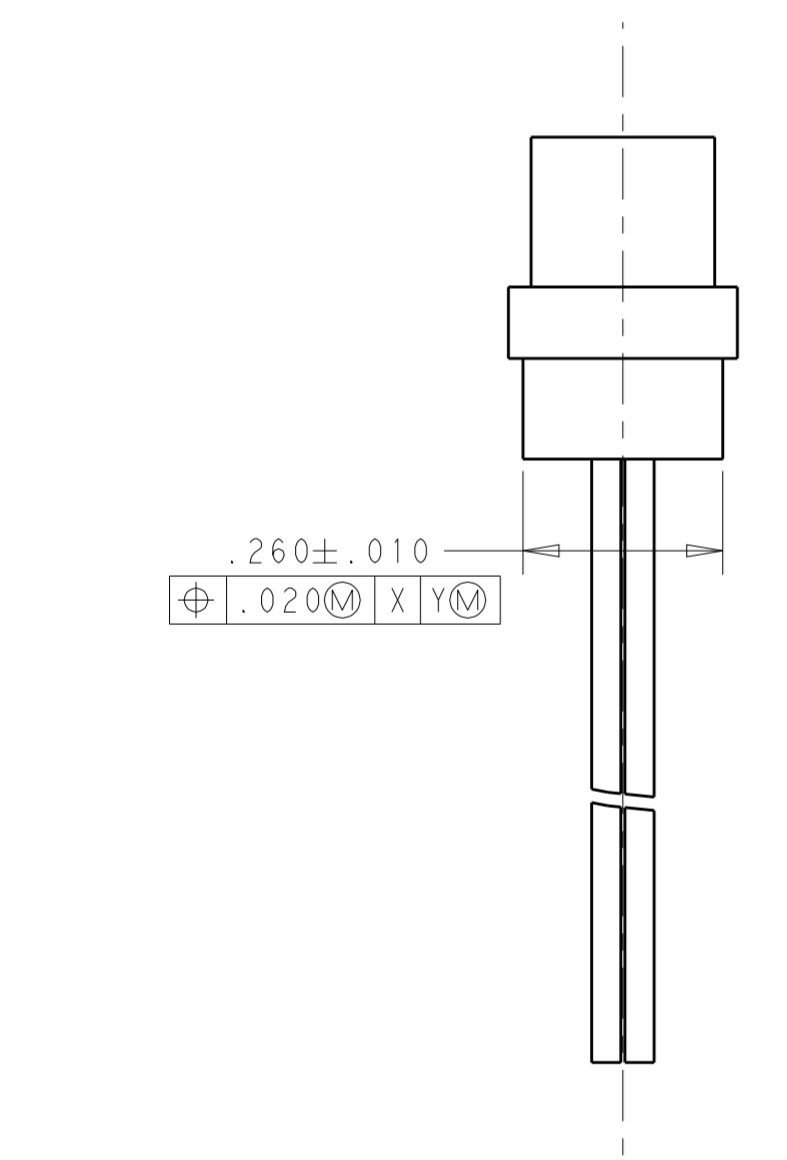


THIS DRAWING IS UNPUBLISHED. RELEASED FOR PUBLICATION 20
 © COPYRIGHT 20 BY - ALL RIGHTS RESERVED.

| REVISIONS | | | | |
|-----------|-----|--------------------------|-----------|-------|
| P | LTR | DESCRIPTION | DATE | APVD |
| B | | UPDATE PER ECO-16-007070 | 09MAY2016 | DS CS |
| | | | | |
| | | | | |



INTERFACE DETAIL



SECTION A-A

CONNECTOR SHALL BE MARKED IN ACCORDANCE WITH METHOD 1 OF MIL-STD-1285. MARKING SHALL CONTAIN THE MILITARY PIN, CAGE CODE (OR TE), AND DATE CODE. EXAMPLE: M83513/04-XXXX TE YYWW (WHERE XXXX IS PART OF THE PIN SHOWN IN THE "MIL-DTL-83513" COLUMN OF THE PART NUMBER TABLE, AND YYWW IS THE DATE CODE). TEXT HEIGHT SHALL BE .035 INCH MINIMUM.

POSITION 1 SHALL BE INDICATED BY AN IDENTIFIABLE MARK, LOCATED APPROXIMATELY AS SHOWN ON THE POSITION 1 SIDE OF THE CONNECTOR FLANGE. THIS MARK SHALL BE INCLUDED AS PART OF THE PART MARKING INFORMATION.

LENGTH IS SHOWN IN THE "L DIM" COLUMN OF THE PART NUMBER TABLE. LENGTH TOLERANCE IS +1.0/-0.0 FOR INSULATED WIRE TERMINATIONS, AND +0.20/-0.00 FOR UNINSULATED WIRE TERMINATIONS.

INSULATED WIRE IS SHOWN FOR REFERENCE ONLY. PART MAY BE TERMINATED WITH INSULATED OR UNINSULATED WIRE ACCORDING TO THE PART NUMBER TABLE.

EPOXY ENCAPSULATION. EPOXY MAY WICK .125 INCH MAX FOR INSULATED WIRE, AND .050 INCH MAX FOR UNINSULATED WIRE.

ALL DIMENSIONS AND REQUIREMENTS ARE PER MIL-DTL-83513/4.


| | | | | |
|--|-----------|--------------------|-----------|------------------------------|
| THIS DRAWING IS A CONTROLLED DOCUMENT. | | DWN B ROMANCHUK | 03SEP2008 | TE Connectivity |
| DIMENSIONS: IN | | CHK M STORRY | 03SEP2008 | |
| TOLERANCES UNLESS OTHERWISE SPECIFIED: | | APVD | | NAME |
| 0 PLC | ± | PRODUCT SPEC | | RECEPTACLE ASSEMBLY |
| 1 PLC | ±.010 | APPLICATION SPEC | | MICRO-D PER MIL-DTL-83513/04 |
| 2 PLC | ±.005 | WEIGHT | | MCKS SERIES, 37 POSITION |
| 3 PLC | ± | CUSTOMER DRAWING | | SIZE |
| 4 PLC | ±1° | SCALE 4:1 | | CAGE CODE |
| ANGLES | ±1° | SHEET 1 OF 2 | | DRAWING NO |
| FINISH | - | REV B | | A298278 |
| MATERIAL | SEE NOTES | RESTRICTED TO | | G-1532176 |

THIS DRAWING IS UNPUBLISHED. RELEASED FOR PUBLICATION 20
 © COPYRIGHT 20 BY - ALL RIGHTS RESERVED.

| REVISIONS | | | | |
|-----------|-----|-------------|------|------|
| P | LTR | DESCRIPTION | DATE | APVD |
| | | SEE SHEET 1 | | |
| | | | | |
| | | | | |

| TE PART NUMBER | L DIM | MIL-DTL-83513 PIN | MICRODOT P/N | MCKS DESCRIPTION |
|----------------|-------|-------------------|---------------|-----------------------|
| 1532176-1 | 18 | M83513/04-F01N | 094-6626-0001 | MCKS-N1-B-37S6G1-18.0 |
| 1532176-2 | 36 | M83513/04-F02N | 094-6626-0002 | MCKS-N1-B-37S6G1-36.0 |
| 1532176-3 | 18 | M83513/04-F03N | 094-6626-0003 | MCKS-N1-B-37S6G9-18.0 |
| 1532176-4 | 36 | M83513/04-F04N | 094-6626-0004 | MCKS-N1-B-37S6G9-36.0 |
| 1532176-5 | 18 | M83513/04-F09N | 094-6626-0009 | MCKS-N1-B-37S6Q1-18.0 |
| 1532176-6 | 36 | M83513/04-F10N | 094-6626-0010 | MCKS-N1-B-37S6Q1-36.0 |
| 1532176-7 | 18 | M83513/04-F11N | 094-6626-0011 | MCKS-N1-B-37S6Q9-18.0 |
| 1532176-8 | 36 | M83513/04-F12N | 094-6626-0012 | MCKS-N1-B-37S6Q9-36.0 |
| 1532176-9 | 72 | M83513/04-F13N | 094-6626-0013 | MCKS-N1-B-37S6G1-72.0 |
| 1-1532176-0 | 72 | M83513/04-F14N | 094-6626-0014 | MCKS-N1-B-37S6G9-72.0 |
| 1-1532176-1 | 72 | M83513/04-F15N | 094-6626-0015 | MCKS-N1-B-37S6Q1-72.0 |
| 1-1532176-2 | 72 | M83513/04-F16N | 094-6626-0016 | MCKS-N1-B-37S6Q9-72.0 |
| 1-1532176-3 | 0.5 | M83513/04-F05N | 094-6626-0005 | MCKS-N1-B-37S5L4-0.5 |
| 1-1532176-4 | 1.0 | M83513/04-F06N | 094-6626-0006 | MCKS-N1-B-37S5L4-1.0 |
| 1-1532176-5 | 0.5 | M83513/04-F07N | 094-6626-0007 | MCKS-N1-B-37S5L5-0.5 |
| 1-1532176-6 | 1.0 | M83513/04-F08N | 094-6626-0008 | MCKS-N1-B-37S5L5-1.0 |
| 1-1532176-7 | 18 | M83513/04-F01C | 094-6636-0001 | MCKS-C2-B-37S6G1-18.0 |
| 1-1532176-8 | 36 | M83513/04-F02C | 094-6636-0002 | MCKS-C2-B-37S6G1-36.0 |
| 1-1532176-9 | 18 | M83513/04-F03C | 094-6636-0003 | MCKS-C2-B-37S6G9-18.0 |
| 2-1532176-0 | 36 | M83513/04-F04C | 094-6636-0004 | MCKS-C2-B-37S6G9-36.0 |
| 2-1532176-1 | 0.5 | M83513/04-F05C | 094-6636-0005 | MCKS-C2-B-37S5L4-0.5 |
| 2-1532176-2 | 1.0 | M83513/04-F06C | 094-6636-0006 | MCKS-C2-B-37S5L4-1.0 |
| 2-1532176-3 | 0.5 | M83513/04-F07C | 094-6636-0007 | MCKS-C2-B-37S5L5-0.5 |
| 2-1532176-4 | 1.0 | M83513/04-F08C | 094-6636-0008 | MCKS-C2-B-37S5L5-1.0 |
| 2-1532176-5 | 18 | M83513/04-F09C | 094-6636-0009 | MCKS-C2-B-37S6Q1-18.0 |
| 2-1532176-6 | 36 | M83513/04-F10C | 094-6636-0010 | MCKS-C2-B-37S6Q1-36.0 |
| 2-1532176-7 | 18 | M83513/04-F11C | 094-6636-0011 | MCKS-C2-B-37S6Q9-18.0 |
| 2-1532176-8 | 36 | M83513/04-F12C | 094-6636-0012 | MCKS-C2-B-37S6Q9-36.0 |
| 2-1532176-9 | 72 | M83513/04-F13C | 094-6636-0013 | MCKS-C2-B-37S6G1-72.0 |
| 3-1532176-0 | 72 | M83513/04-F14C | 094-6636-0014 | MCKS-C2-B-37S6G9-72.0 |
| 3-1532176-1 | 72 | M83513/04-F15C | 094-6636-0015 | MCKS-C2-B-37S6Q1-72.0 |
| 3-1532176-2 | 72 | M83513/04-F16C | 094-6636-0016 | MCKS-C2-B-37S6Q9-72.0 |

| TE PART NUMBER | L DIM | MIL-DTL-83513 PIN | MICRODOT P/N | MCKS DESCRIPTION |
|----------------|-------|-------------------|---------------|-----------------------|
| 3-1532176-3 | 18 | M83513/04-F01P | 094-6646-0001 | MCKS-P1-B-37S6G1-18.0 |
| 3-1532176-4 | 36 | M83513/04-F02P | 094-6646-0002 | MCKS-P1-B-37S6G1-36.0 |
| 3-1532176-5 | 18 | M83513/04-F03P | 094-6646-0003 | MCKS-P1-B-37S6G9-18.0 |
| 3-1532176-6 | 36 | M83513/04-F04P | 094-6646-0004 | MCKS-P1-B-37S6G9-36.0 |
| 3-1532176-7 | 0.5 | M83513/04-F05P | 094-6646-0005 | MCKS-P1-B-37S5L4-0.5 |
| 3-1532176-8 | 1.0 | M83513/04-F06P | 094-6646-0006 | MCKS-P1-B-37S5L4-1.0 |
| 3-1532176-9 | 0.5 | M83513/04-F07P | 094-6646-0007 | MCKS-P1-B-37S5L5-0.5 |
| 4-1532176-0 | 1.0 | M83513/04-F08P | 094-6646-0008 | MCKS-P1-B-37S5L5-1.0 |
| 4-1532176-1 | 18 | M83513/04-F09P | 094-6646-0009 | MCKS-P1-B-37S6Q1-18.0 |
| 4-1532176-2 | 36 | M83513/04-F10P | 094-6646-0010 | MCKS-P1-B-37S6Q1-36.0 |
| 4-1532176-3 | 18 | M83513/04-F11P | 094-6646-0011 | MCKS-P1-B-37S6Q9-18.0 |
| 4-1532176-4 | 36 | M83513/04-F12P | 094-6646-0012 | MCKS-P1-B-37S6Q9-36.0 |
| 4-1532176-5 | 72 | M83513/04-F13P | 094-6646-0013 | MCKS-P1-B-37S6G1-72.0 |
| 4-1532176-6 | 72 | M83513/04-F14P | 094-6646-0014 | MCKS-P1-B-37S6G9-72.0 |
| 4-1532176-7 | 72 | M83513/04-F15P | 094-6646-0015 | MCKS-P1-B-37S6Q1-72.0 |
| 4-1532176-8 | 72 | M83513/04-F16P | 094-6646-0016 | MCKS-P1-B-37S6Q9-72.0 |

| | | | | | |
|--|--|--------------------|-----------|---|------------|
| THIS DRAWING IS A CONTROLLED DOCUMENT. | | DWN B ROMANCHUK | 03SEP2008 |  TE Connectivity | |
| DIMENSIONS: IN | | CHK - | - | | |
| TOLERANCES UNLESS OTHERWISE SPECIFIED: | | APVD M. STORRY | 03SEP2008 | NAME RECEPTACLE ASSEMBLY | |
| 0 PLC ±- | | PRODUCT SPEC | | MICRO-D PER MIL-DTL-83513/04 | |
| 1 PLC ±- | | APPLICATION SPEC | | MCKS SERIES, 37 POSITION | |
| 2 PLC ±.010 | | SIZE | | CAGE CODE | DRAWING NO |
| 3 PLC ±.005 | | WEIGHT | | A298278 | C-1532176 |
| 4 PLC ±- | | CUSTOMER DRAWING | | SCALE | 4:1 |
| ANGLES ±1° | | SHEET | | 2 | OF 2 |
| FINISH | | REV | | B | |
| MATERIAL SEE NOTES | | | | | |

X-ON Electronics

Largest Supplier of Electrical and Electronic Components

Click to view similar products for [D-Sub Micro-D Connectors](#) category:

Click to view products by [TE Connectivity](#) manufacturer:

Other Similar products are found below :

[M243082311F](#) [M2430834F](#) [M24308/4-6F](#) [65-1920-15](#) [M83513/01-HN](#) [M83513/03-A10N](#) [M83513/03-B14C](#) [M83513/03-D09C](#) [M83513/03-D11N](#) [M83513/03-G02N](#) [M83513/03-G05N](#) [M83513/03-G08C](#) [M83513/03-G09N](#) [M83513/03-G12N](#) [M83513/03-H13N](#) [M83513/04-E15N](#) [M83513/04-G04C](#) [M83513/10-E01NP](#) [M83513/13-B01NP](#) [M83513/13-C01NN](#) [M83513/16-A01CP](#) [M83513/22-D01NP](#) [M83513/25-B01NP](#) [6R2004A30F015](#) [6R4006A28A120](#) [703006A13F060](#) [704002A03F200](#) [705001A13F120](#) [7-1532020-5](#) [748567-1-P](#) [MDB1-31SH003](#) [MDM-15PBS-L58](#) [MDM-15PCBRM7T](#) [MDM-15PH003B-A174](#) [75-068624-59S](#) [MDM-15PH034B](#) [MDM-15SH001L](#) [MDM-15SH004B](#) [MDM-21PH003K](#) [MDM-25PH003B-A174](#) [MDM-25PHW01F-A174](#) [MDM-37PH006L-A174](#) [MDM-37PH048M5-A174](#) [MDM-37SCBRP-A174](#) [MDM-51PBS-L56](#) [MDM-51PSF](#) [MDM-51SH003M7](#) [MDM-51SSM7-A174](#) [MDM-9PBSP-L58](#) [MDM-9PH003M7](#)