

4

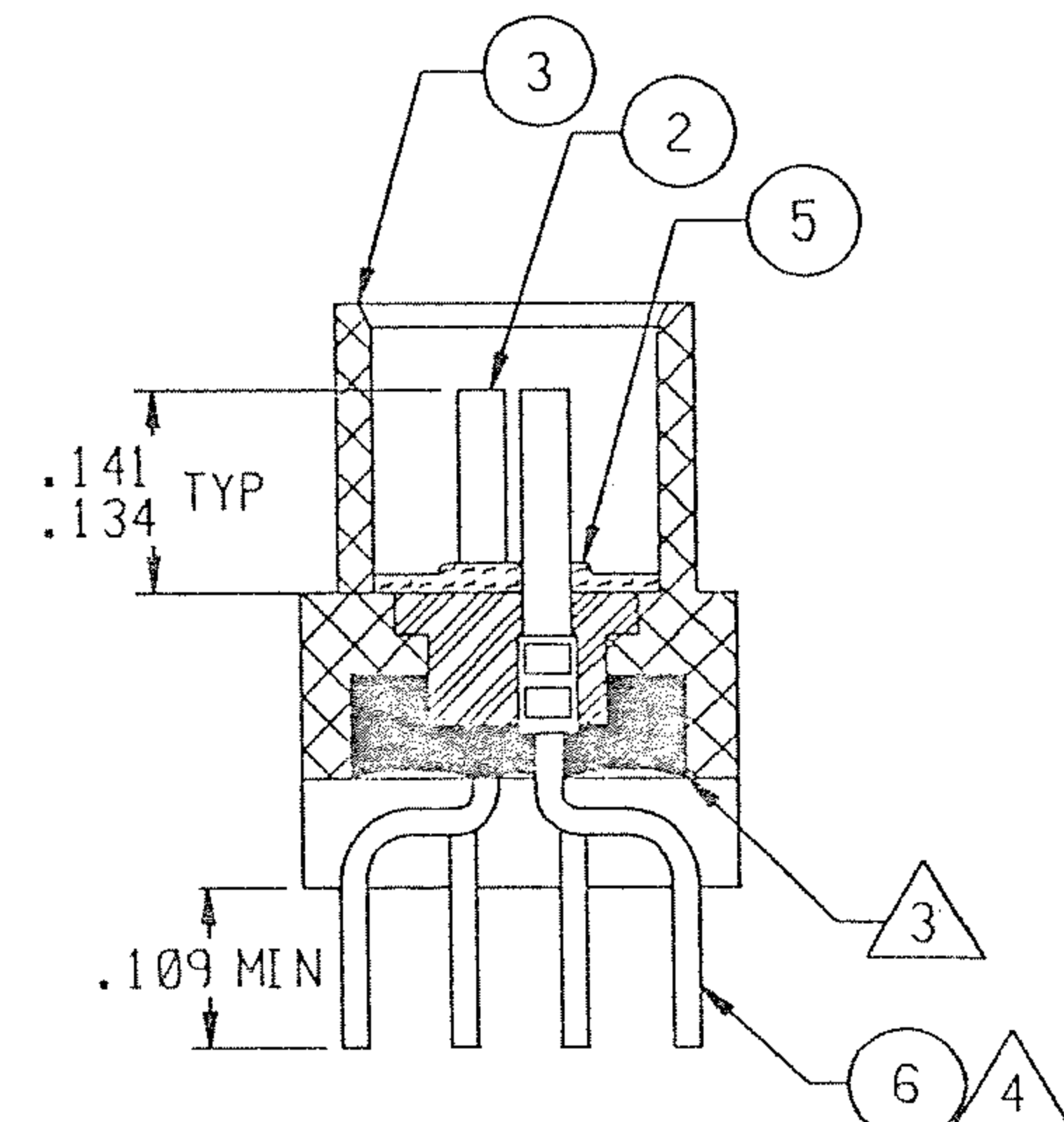
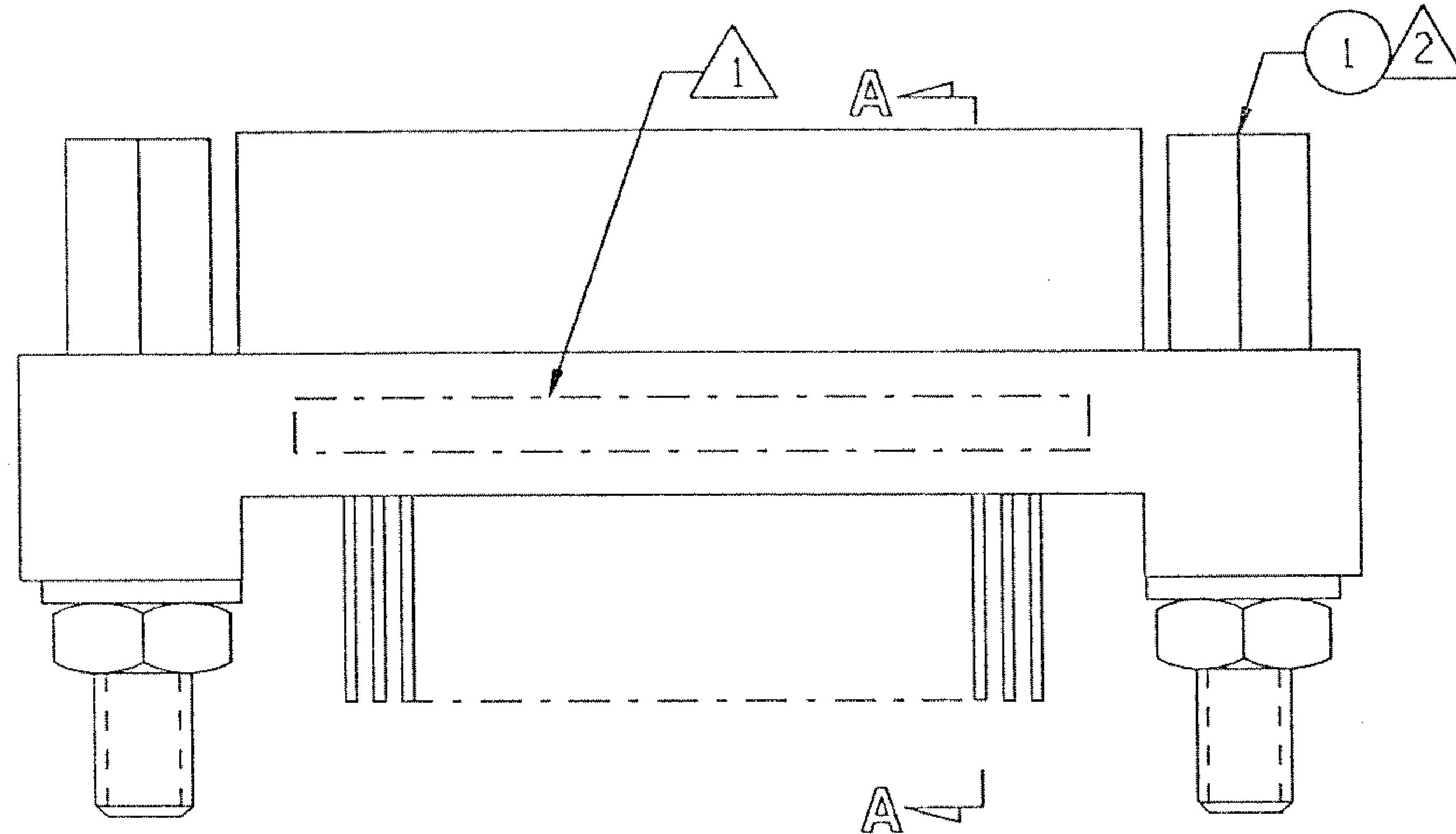
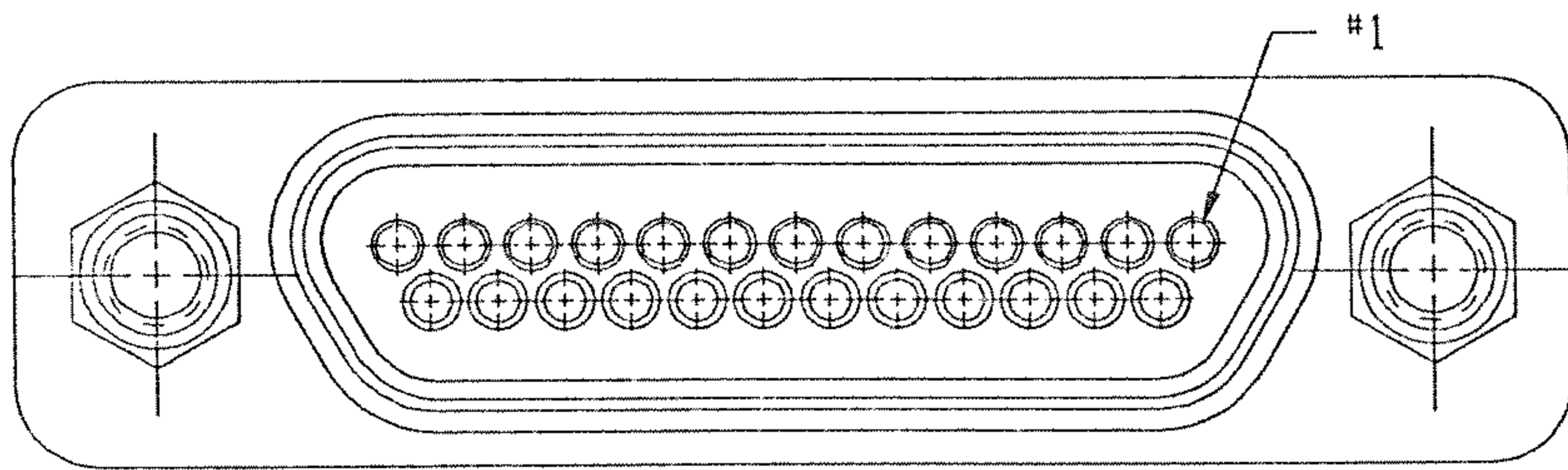
3

2

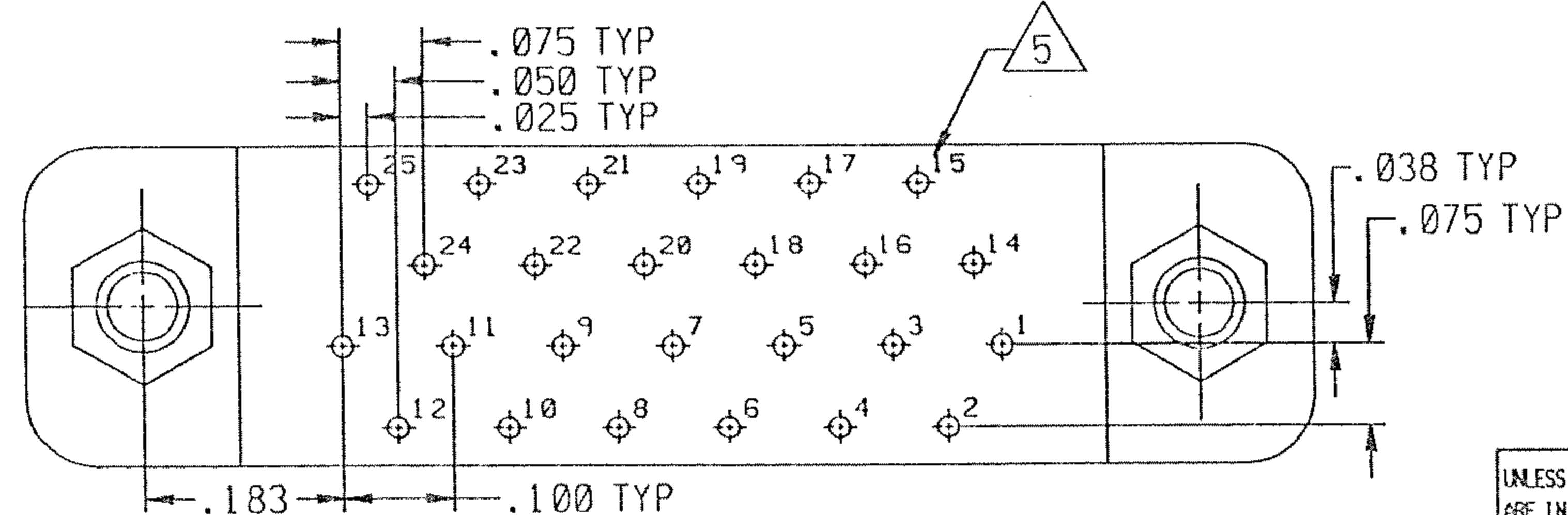
1

### REVISION

ZONE	LTR	ECN	DESCRIPTION	DATE	APPROVED
	A	35662	NEW RELEASE	5/1/95	[Signature]
	B	41973	UPDATE REV. LETTER	10/11/95	[Signature]
	C		UPDATE PER ECO-10-017486	8/25/10	PJS




SECTION A - A



#### NOTES: UNLESS OTHERWISE SPECIFIED

- ① MARK PER TPD.
- ② ITEM 1 (JACKNUT ASSEMBLY, 2 PLCS) TO BE MOUNTED ONTO THE CONNECTOR.
- ③ EPOXY AS SHOWN. WICKING PERMITTED BEYOND POTTING WELL.
- ④ TERMINAL WIRES TO BE SOLDER DIPPED UP TO THE MOUNTING SURFACE MINIMUM.
- ⑤ LEAD IDENTIFICATION AS SHOWN ARE FOR REFERENCE ONLY. DO NOT ACTUALLY APPEAR ON THE PART.
- ⑥ CRIMP LEADS INTO CONTACTS PER MEP 302-05.

UNLESS OTHERWISE SPECIFIED DIMENSIONS ARE IN INCHES. TOLERANCE ARE: FRACTIONS ± 1/8 DECIMALS .XX ± .01 XXX ± .005 ANGLES ± 2°	APPROVALS		 <b>MICRODOT CONNECTORS</b> A DIVISION OF UNI-STAR INDUSTRIES INC. 306 PASADENA AVE., SO. PASADENA, CA 91030	PROD CODE 845 CODE M
	SIGNATURE	DATE		
MATERIAL:	CHECKED	DATE	METAL SHELL 'D' CONNECTOR, RCPT MCK-**-P-25SST2 (180° WITHOUT TB BLOCK)	SIZE A 98278
FINISH:	PROD. ENG.	DATE		
	APPROVED		094-5406-7003	SCALE: x 3.5
THIS DOCUMENT IS THE PROPERTY OF MICRODOT CONNECTORS, A DIVISION OF UNI-STAR INDUSTRIES INC. USE OF THIS DOCUMENT OR ANY PART THEREOF IS STRICTLY FORBIDDEN WITHOUT THE EXPRESS WRITTEN PERMISSION OF MICRODOT CONNECTORS, A DIVISION OF UNI-STAR INDUSTRIES INC.				SHEET 1 OF 1

## X-ON Electronics

Largest Supplier of Electrical and Electronic Components

*Click to view similar products for [Non-Heat Shrink Tubing and Sleeves](#) category:*

*Click to view products by [TE Connectivity](#) manufacturer:*

Other Similar products are found below :

[601203-000](#) [CTA-0053](#) [8429-9](#) [8445-7.5](#) [8450](#) [120-116-1-1-09BE](#) [120-116-1-1-09BF](#) [120-116-1-1-09BP](#) [120-116-1-1-12BE](#) [120-116-1-1-12BP](#) [120-123-06](#) [120-123-10](#) [120-125-12BL](#) [120-125-12R](#) [120-125-20R](#) [120-126-09](#) [120-126-09BL](#) [120-126-12](#) [120-126-12BL](#) [120-126-52](#) [120-126-52BL](#) [120-104-12](#) [120-105-1-1-06BE](#) [120-105-1-1-06CE](#) [120-116-1-1-06BP](#) [120-116-1-1-10BP](#) [120-116-1-1-12BF](#) [120-123-12](#) [120-125-09](#) [120-125-12](#) [120-125-12Y](#) [120-125-52BL](#) [120-S002-12](#) [120-S001-09](#) [120-S002-09](#) [121-101-1-1-56BFC](#) [121-101-1-1-64BFC](#) [RAY-90-3.0\(100\)](#) [20675-2](#) [8S42-100FR-CS8184](#) [SAS-115-1-1048-1X](#) [SAS-160-1-1048-1X](#) [RAY-103-10.0\(100\)](#) [RAY-103-4.0\(100\)](#) [4627-S](#) [3-1991136-0](#) [561-SL1000PP](#) [561-SL250FRPP](#) [561-SL375NYGY](#) [561-SL375PE](#)