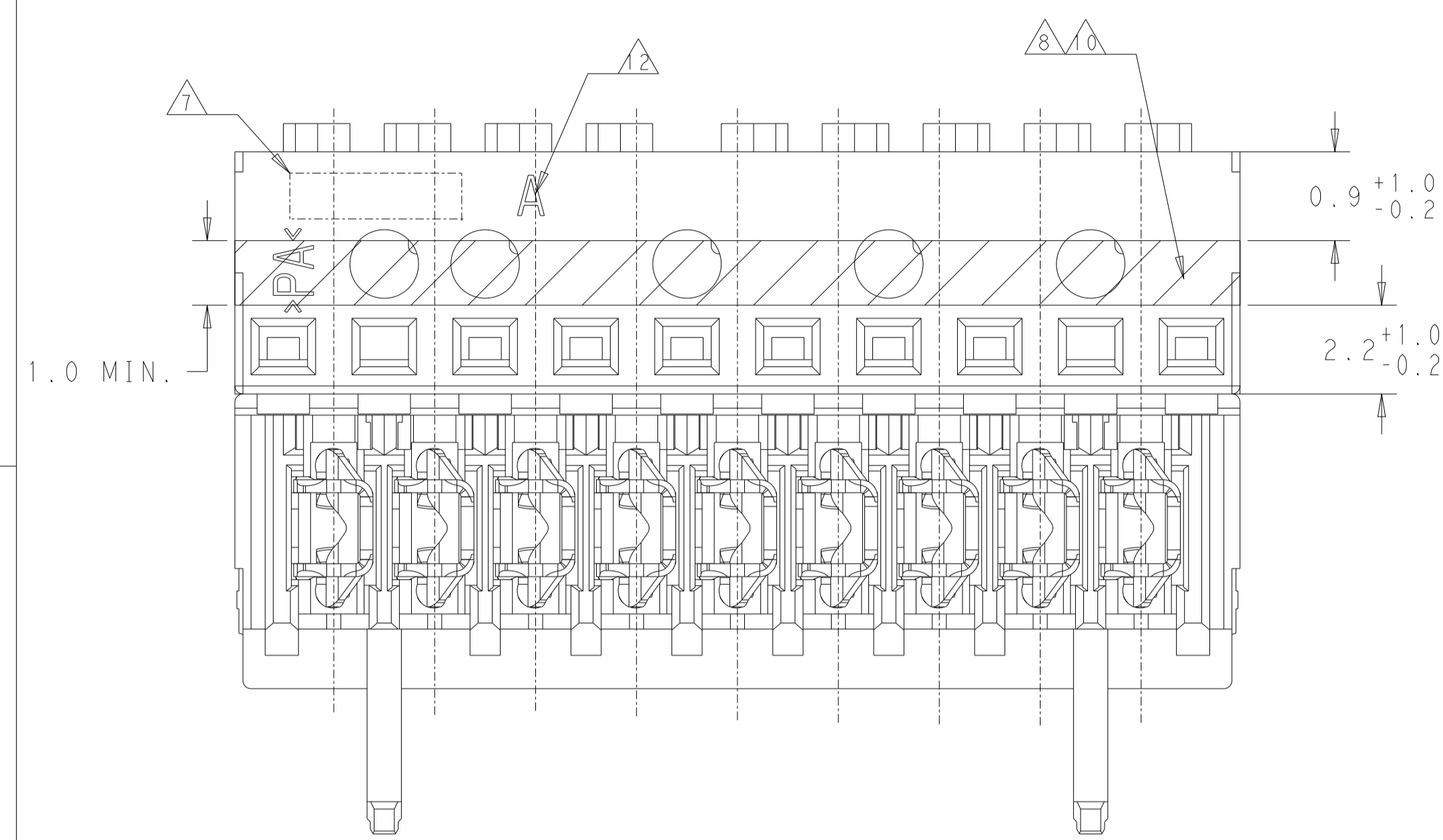
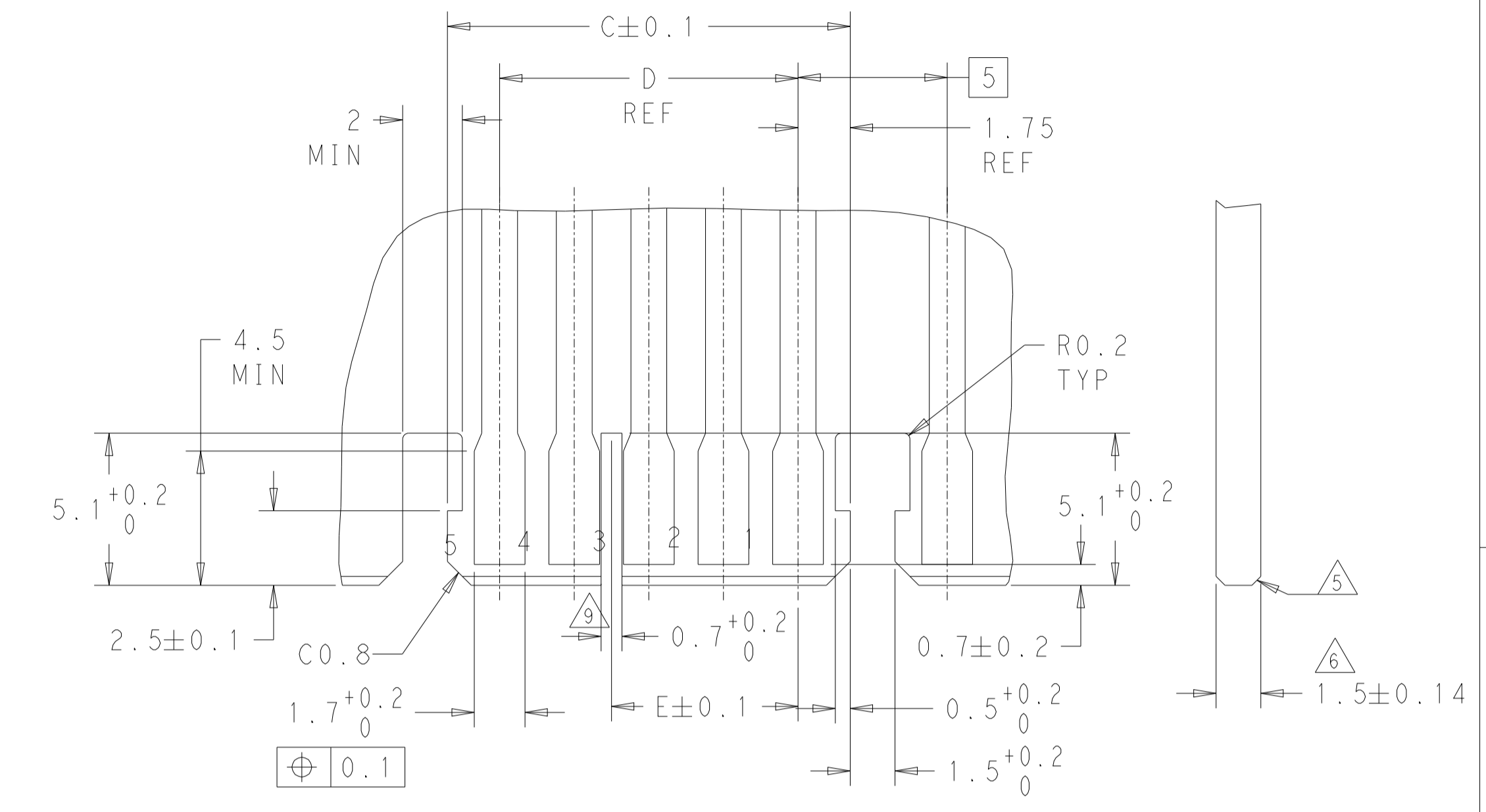


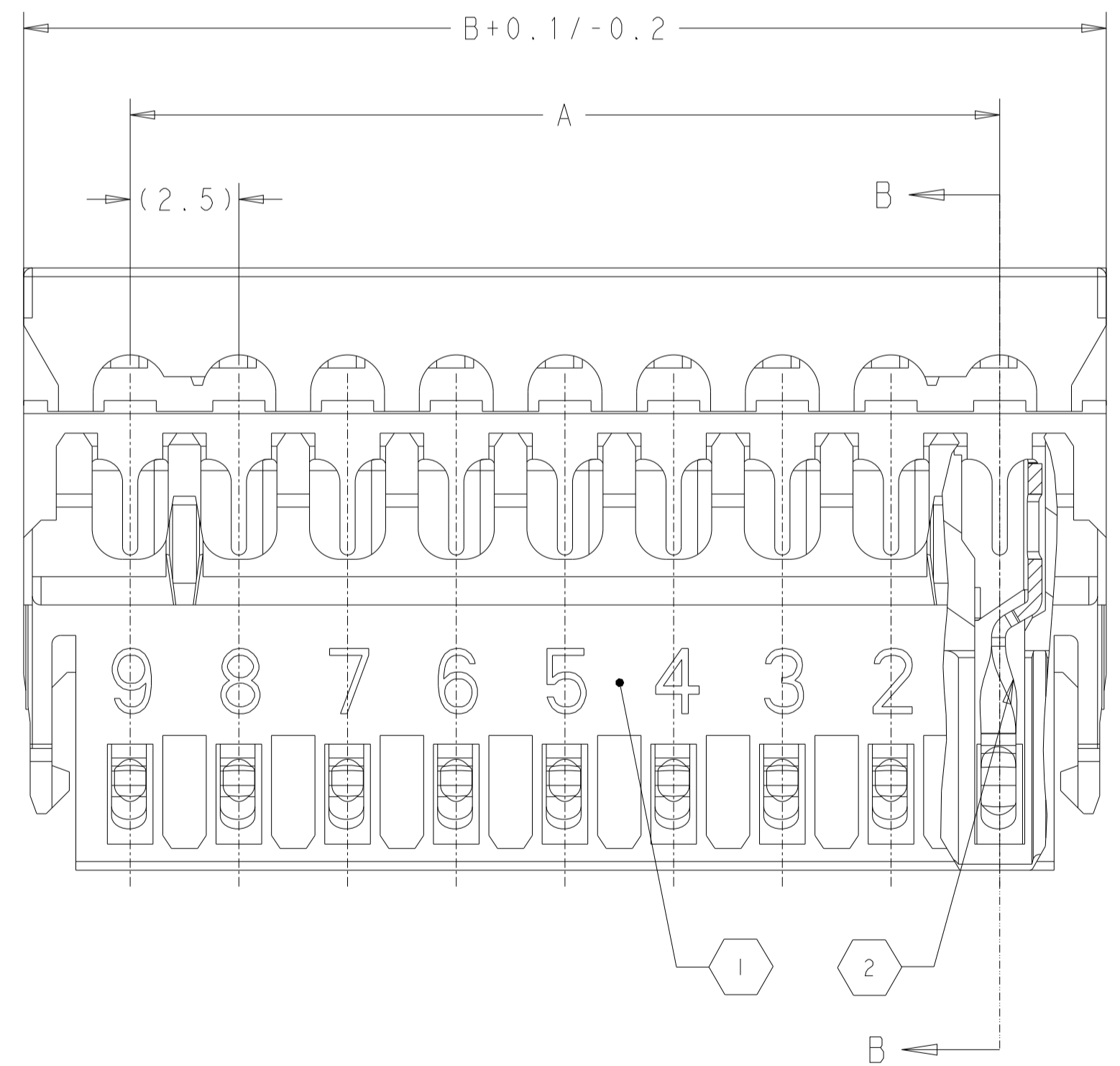
REVISIONS				
P	LTN	DESCRIPTION	DATE	APVD
B12	ECR-21-105046		28 JUN 2021	SM FL
B13	ECR-21-105810		05 JUL 2021	SM FL
B14	ECR-21-107712		27 JUL 2021	SM FL
B15	ECR-21-114094		22 SEP 2021	SM FL



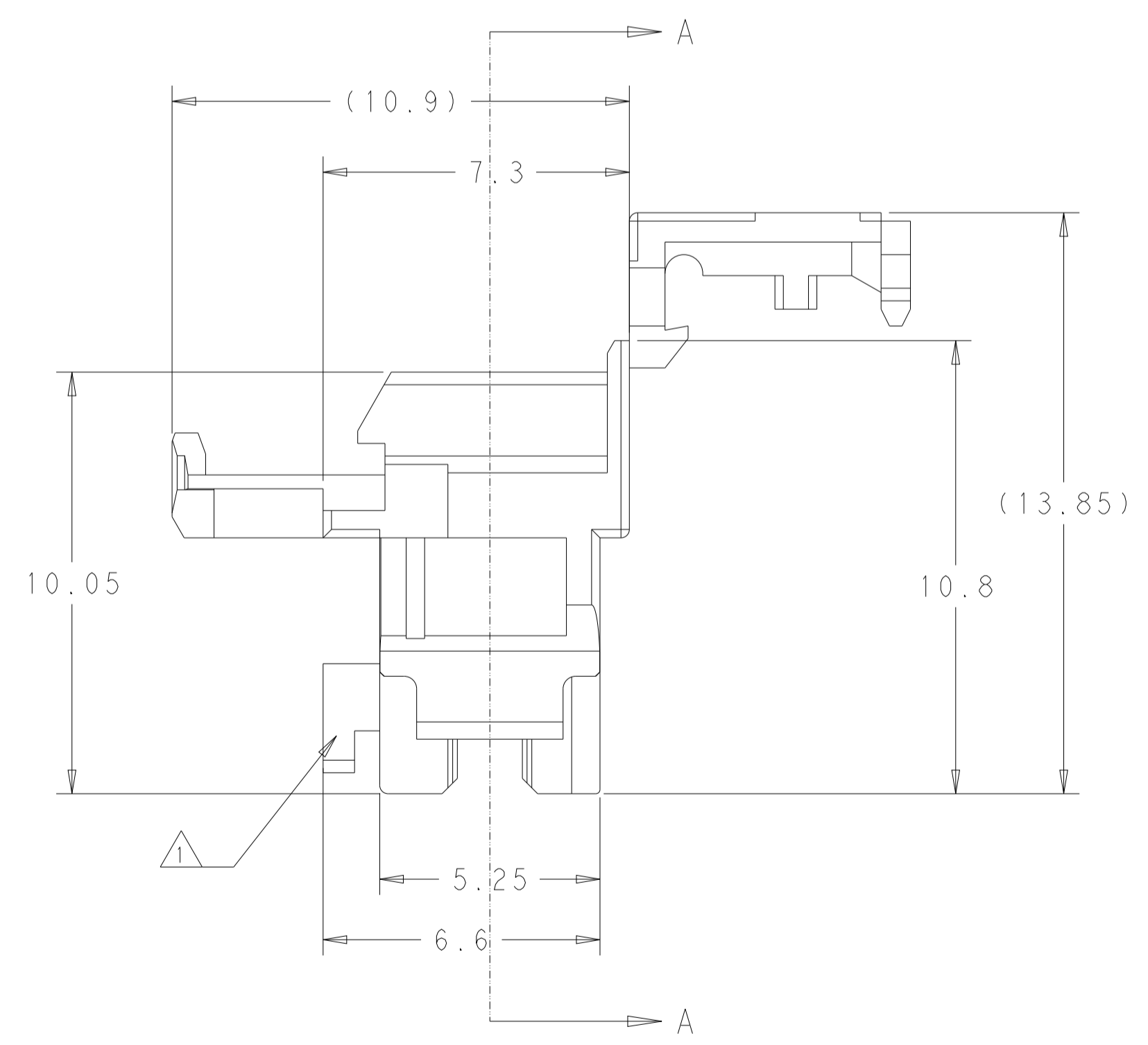
- 1 STRIPE IN YELLOW COLOR WHERE SHOWN PRESENT ON THE PARTS PRODUCED IN TE COLLENO ONLY
- 2 PNs WITHOUT THE INTERNAL WALL NEED ASSISTANT GUIDE DURING THE APPLICATION SUCH AS RAST TAB HEADER
- 3 PRELIMINARY PART NOT RELEASED FOR PRODUCTION
- 4 CAVITY NO.
- 5 KEYING, BETWEEN POSITION
- 6 COLOR MARKING IN THIS AREA.
- 7 SLOT FOR KEYING BETWEEN POSITION
- 8 COLOR STRIP ON COVER OF HOUSING. NOT THE COLOR OF HOUSING
- 9 TE LOGO
- 10 INCLUSIVE COPPER LOADING
- 11 PCB PREFERABLY CHAMFERED
- 12 WIRE RANGE: 0.22-0.35mm² SEE APPLICATION SPEC. 114-18467-1
- 13 IEC60695-2-11 / IEC60335-1 GLOW WIRE TEST 750 °C WITHOUT FLAME
- 14 MATING PART: PCB (WITH FRAMES ACC. RAST 2.5 E.G. PN 964 575/576) TABHEADER PN 1971 817/921
- 15 KEYING RIBS; CUTTING WITH TERMINATION MACHINE POSSIBLE



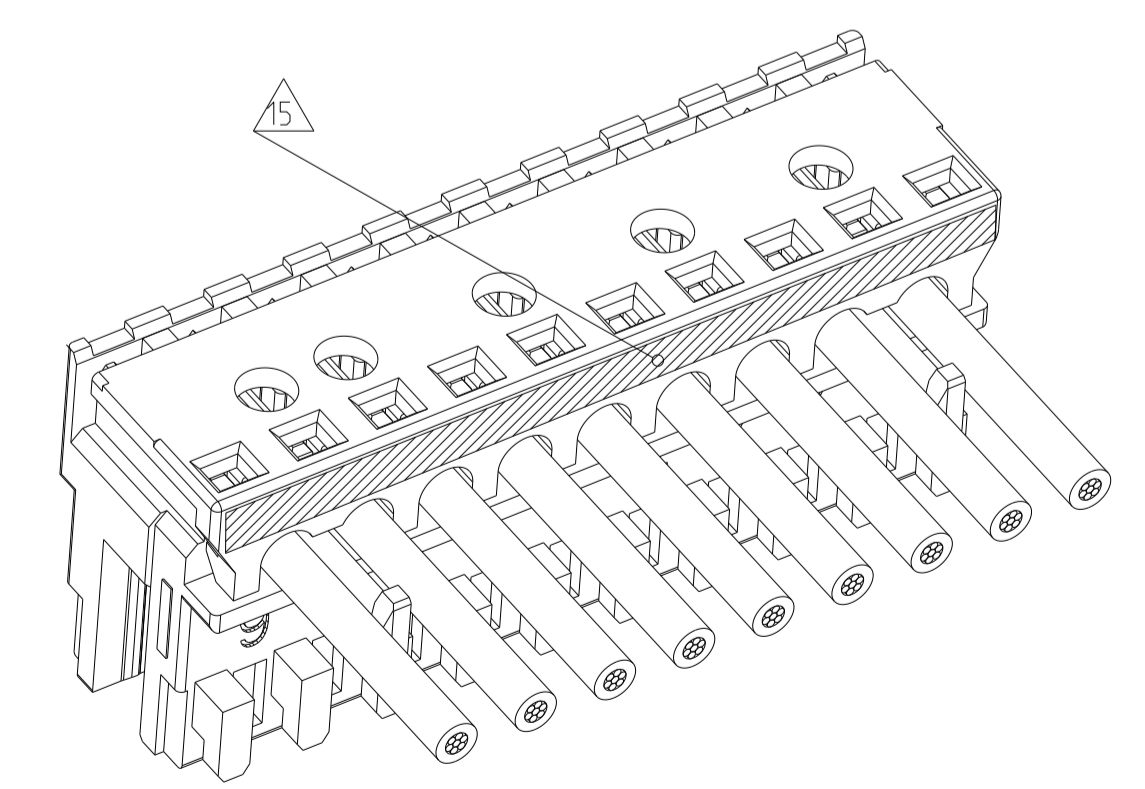
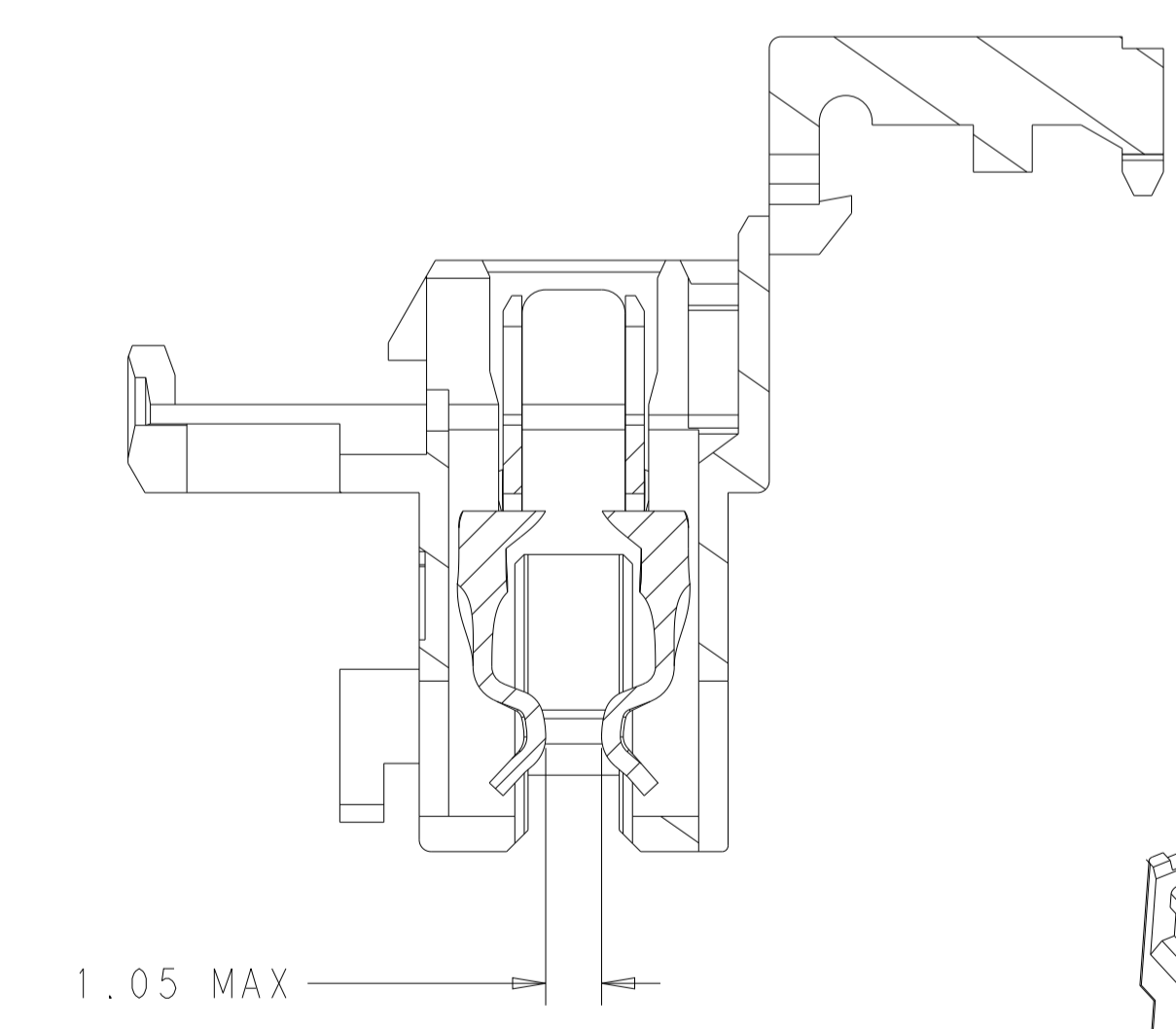
PCB LAYOUT - SOLDERING SIDE



SECTION A-A



SECTION B-B




THIS DRAWING IS A CONTROLLED DOCUMENT.		OWN Winter Wang 22-Sep-21	TE Connectivity	
DIMENSIONS: mm		CHK Daniel Zhong 15-Mar-17		
TOLERANCES UNLESS OTHERWISE SPECIFIED:		APVD Riccardo Robore 15-Mar-17	NAME DUOPLUG MARK II SIDE LOCKING	
0 PLC ±0.2		PRODUCT SPEC 108-18785-1	SIZE CAGE CODE DRAWING NO RESTRICTED TO	
1 PLC ±0.2		APPLICATION SPEC 114-18467-1	A1 C=2306286	
2 PLC ±0.2		WEIGHT	SCALE 8:1 SHEET 1 OF 2 REV B15	
3 PLC ±0.2		CUSTOMER DRAWING		
4 PLC ±0.2				
ANGLES ±0.2				
FINISH				

2	SEE TABLE	CONTACT	CuSn
1		HOUSING	PA 3
SL NO	PN	DESCRIPTION	MATERIAL

REVISIONS				
P	LTN	DESCRIPTION	DATE	DNW APVD
-		SEE SHEET 1	-	-

GWEPT 750°C NO FLAME & UL94-VO, SILVER PLATED VERSION																		
-	X	X	X	X	X	X	X	X	X	X	9	20.0	24.9	23.5	20.0	3.75	2/3	1-2369990-9/3
Red											4	7.5	12.4	11.0	7.5	6.25	3/4	1-2369990-4/3
Color Code	10	9	8	7	6	5	4	3	2	1	POS.	A	B	C	D	E	KEYING	PN Bestell-Nr.
	CAVITIES LOADED																	

GWEPT 750°C NO FLAME & UL94-VO, TIN PLATED VERSION																		
-	X	0	X	X	0	X	0	X	0	X	10	22.5	27.4	26	22.5	6.25	3/4	1-2306287-0/3
-	X	X	X	X	X	X	X	X	X	X						3.75	2/3	1-2306286-0
-			X	X	X	X	X	X	X	X	9	20	24.9	23.5	20	3.75	2/3	1-2306286-9
Black	X	X	X	X	X	X	X	X	X	2/3							2306286-9	
-		X	0	X	0	X	0	X	0	X	9	20	24.9	23.5	20	3.75	2/3	3-2306287-9
-	X	0	X	X	0	X	0	X	X	2/3							2-2306287-9	
-		X	X	0	X	0	X	0	X	X	9	20	24.9	23.5	20	3.75	-	1-2306287-9
Green	X	0	X	X	0	X	0	X	X	2/3							2306287-9/4	
-			X	X	X	X	X	X	X	X	8	17.5	22.4	21	17.5	11.25	5/6	1-2306286-8
-			X	X	X	X	X	X	X	3.75						2/3	2306286-8/3	
-				X	0	X	0	X	0	X	7	15	19.9	18.5	15	3.75	2/3	1-2306287-7
Blue				X	0	X	0	X	0	X							2/3	2306287-7
-				X	X	X	X	X	X	X	7	15	19.9	18.5	15	3.75	5/6	2-2306286-7
-				X	X	X	X	X	X	2/3							1-2306286-7	
Black				X	X	X	X	X	X						2/3	2306286-7		
-					X	X	X	X	X	X	6	12.5	17.4	16	12.5	8.75	4/5	2-2306286-6
-					X	X	X	X	X	3.75						2/3	1-2306286-6	
-					X	X	X	X	X	6	12.5	17.4	16	12.5	3.75	1.25	1/2	2306286-6
-					X	0	X	0	X							8.75	4/5	2-2306287-6
-					X	0	X	X	0	X	6	12.5	17.4	16	12.5	3.75	2/3	1-2306287-6
Black					X	0	X	X	0	X							3.75	2/3
-						X	0	X	0	X	5	10	14.9	13.5	10	3.75	2/3	2-2306287-5
-						X	X	X	0	X						6.25	3/4	1-2306287-5
Blue						X	X	X	0	X	5	10	14.9	13.5	10	6.25	3/4	2306287-5
-						X	X	X	X	1.25						1/2	5-2306286-5	
-						X	X	X	X	5	10	14.9	13.5	10	6.25	3/4	4-2306286-5	
-						X	X	X	X							3.75	2/3	3-2306286-5
Green						X	X	X	X	5	10	14.9	13.5	10	6.25	1.25	1/2	2-2306286-5
Red						X	X	X	X							6.25	3/4	1-2306286-5
Black						X	X	X	X	5	10	14.9	13.5	10	3.75	2/3	2306286-5	
-						X	X	X	X							6.25	3/4	3-2306286-4
-						X	X	X	X	4	7.5	12.4	11	7.5	1.25	1/2	2-2306286-4	
Red						X	X	X	X						6.25	3/4	1-2306286-4	
Black						X	X	X	X	4	7.5	12.4	11	7.5	1.25	1/2	2306286-4	
-						X	0	X	1.25							1/2	3-2306287-3	
-						X	0	X						3.75	2/3	2-2306287-3		
Green						X	0	X	3	5	9.9	8.5	5	1.25	1/2	1-2306287-3		
Blue						X	0	X							3.75	2/3	2306287-3	
-						X	X	X	3	5	9.9	8.5	5	3.75	2/3	3-2306286-3		
-						X	X	X							1.25	1/2	2-2306286-3	
Black						X	X	X	3	5	9.9	8.5	5	3.75	2/3	1-2306286-3		
Red						X	X	X							1.25	1/2	2306286-3	
Color Code	10	9	8	7	6	5	4	3	2	1	POS.	A	B	C	D	E	KEYING	PN Bestell-Nr.
	CAVITIES LOADED																	

THIS DRAWING IS A CONTROLLED DOCUMENT.		DNW Winter Wang 22-Sep-21		TE Connectivity	
DIMENSIONS: mm		CHK Daniel Zhong 15-Mar-17		NAME DUOPLUG MARK 11 SIDE LOCKING	
TOLERANCES UNLESS OTHERWISE SPECIFIED:		APVD Riccardo Robore 15-Mar-17	PRODUCT SPEC		
0 PLC ±0.2		108-18785-1		SIZE CAGE CODE DRAWING NO	
1 PLC ±0.2		APPLICATION SPEC		RESTRICTED TO	
2 PLC ±0.2		114-18467-1		A1	
3 PLC ±0.2		WEIGHT		C=2306286	
4 PLC ±0.2		CUSTOMER DRAWING		SCALE 8:1 SHEET 2 OF 2 REV B15	
ANGLES ±0.2					
FINISH					

X-ON Electronics

Largest Supplier of Electrical and Electronic Components

Click to view similar products for [Standard Card Edge Connectors](#) category:

Click to view products by [TE Connectivity](#) manufacturer:

Other Similar products are found below :

[CR7E-30DB-3.96E\(72\)](#) [6364499-1](#) [6565204-6](#) [PKC-156](#) [1437274-4](#) [147889-1](#) [1489165-4](#) [EBT15622B2X](#) [1-582587-1](#) [284-0102-12100](#)
[286-0052-12101A](#) [306022901000000](#) [307-012-502-202](#) [307-056-520-300](#) [2129318-1](#) [245-062-520-350](#) [287-0032-12101](#) [306-028-525-102](#)
[307-072-526-202](#) [345-060-559-303](#) [392-008-559-201](#) [534671-1](#) [341-240-317](#) [345-044-500-300](#) [346-240-318](#) [395-100-524-300](#) [09-07-2032](#)
[10035388-802LF](#) [10115859-011LF](#) [10122859-009LF](#) [10127905-B04B24BLF](#) [530555-1](#) [5-678046-1](#) [73726-0005](#) [66308-1](#) [1-1437275-6](#)
[PEC-07-02-T-S-A](#) [346-014-520-801](#) [307-048-502-202](#) [CE100F22-9-C](#) [CE100F26-7-C](#) [CE100F28-3-D](#) [CE156F18-9-C](#) [CE156F22-5-D](#)
[CE156F22-9-C](#) [CT100F22-2-D](#) [CT100F22-3-D](#) [CT100F24-2-D](#) [CT100F24-3-D](#) [CT100F24-6-C](#)