

4

3

2

1

THIS DRAWING IS UNPUBLISHED.

RELEASED FOR PUBLICATION

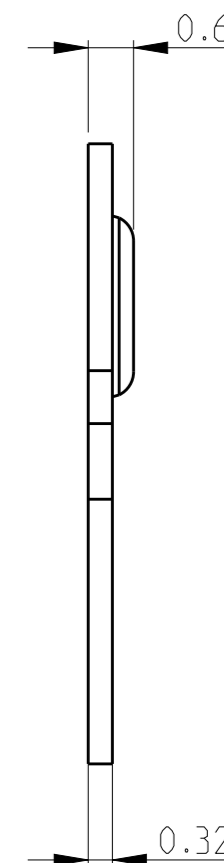
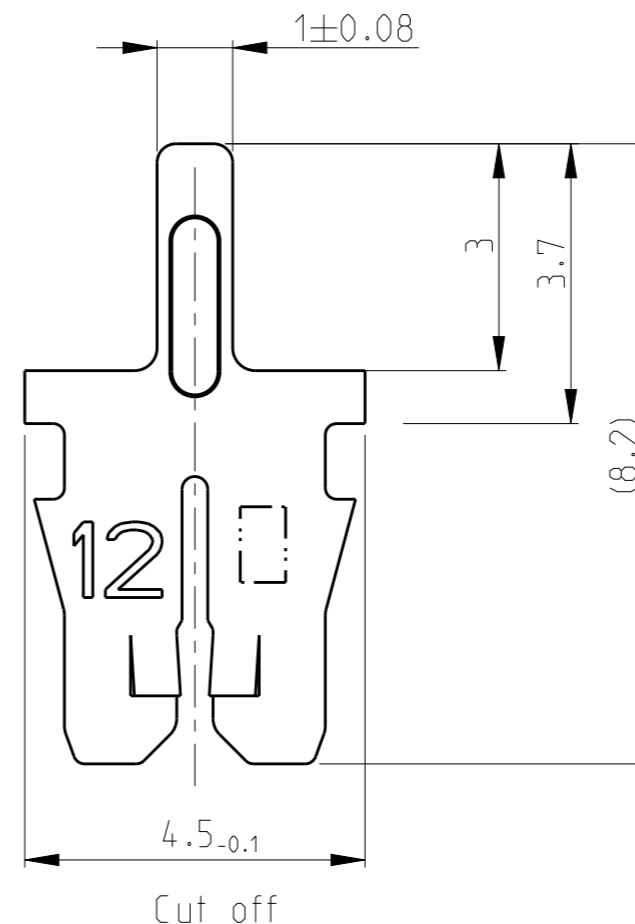
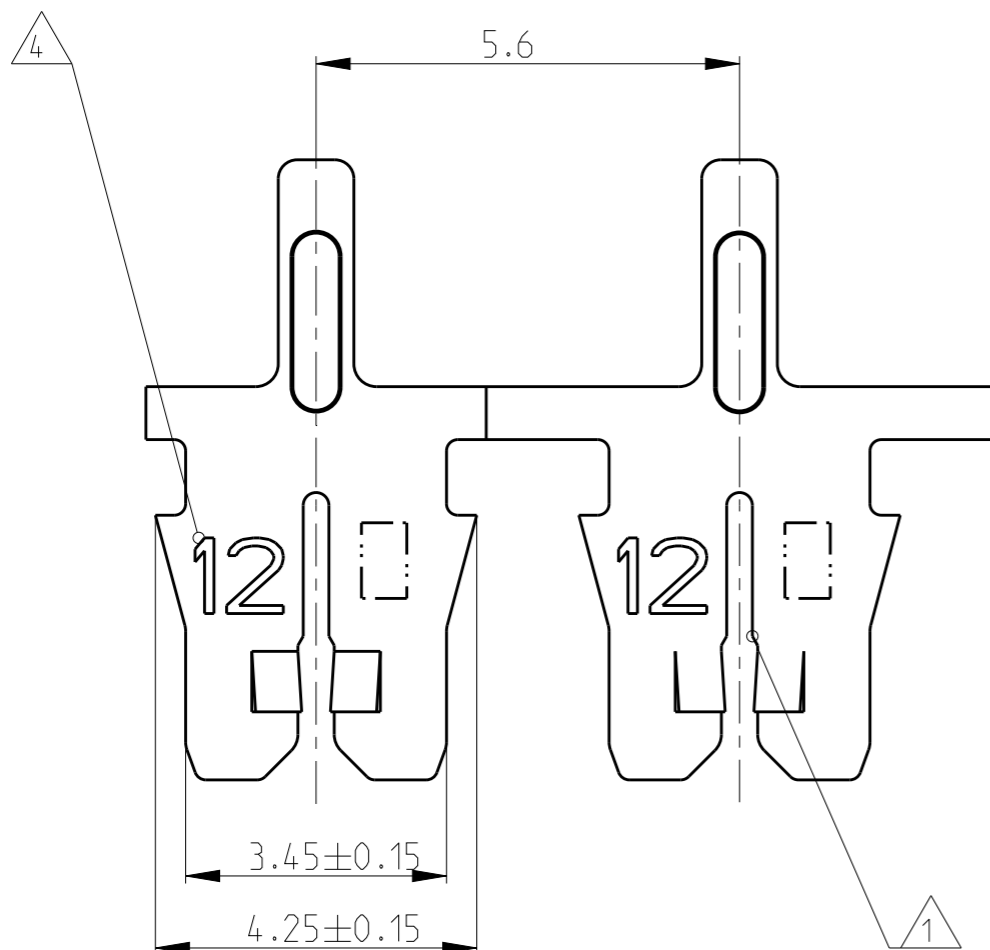
© COPYRIGHT 2002


ALL RIGHTS RESERVED.

LOC IR DIST -

REVISIONS

P	LTR	DESCRIPTION	DATE	DWN	APVD
	A1	Text hinzu	29JUL2003	Ba.	PL.
	A2	RELEASED TO GENERAL SALES	18JUL2011	PKS	RRP
	A3	COPPER WIRE RANGE UPDATED	08MAR2018	SV	PKS



THIS DRAWING IS A CONTROLLED DOCUMENT.		DWN M. Neitzel 08JAN2002	 TE Connectivity		
DIMENSIONS: mm		CHK H. Ploesser			
TOLERANCES UNLESS OTHERWISE SPECIFIED:		APVD -	NAME		
0 PLC ±0.2 1 PLC ±0.2 2 PLC ±0.2 3 PLC ±0.2 4 PLC ±0.2 ANGLES ±1°		PRODUCT SPEC -	MAG-MATE Kontakt mit Loetpin Baugroesse .300 mod.		
MATERIAL SEE TABLE		APPLICATION SPEC -	SIZE A3	CAGE CODE 00779	DRAWING NO C-1534686
FINISH SEE TABLE		WEIGHT -	RESTRICTED TO		
CUSTOMER DRAWING			SCALE 10:1	SHEET 1 OF 2	REV A3

4

3

2

1

THIS DRAWING IS UNPUBLISHED.

RELEASED FOR PUBLICATION

© COPYRIGHT 2002

ALL RIGHTS RESERVED.

LOC	DIST	REVISIONS			
P	LTR	DESCRIPTION	DATE	DWN	APVD
	-	SEE SHEET 1	-	-	-

DIRECTION OFF TOP OF REEL

Bemerkungen:
NOTES:

1 Geeignet fuer Kupferlackdraht
Einzel- $\varnothing 0.45 \dots 0.63 \text{mm}$ oder Doppeldraht $\varnothing 0.45 \dots 0.56 \text{mm}$
SLOT ACCEPTS:
COPPER SINGLE MAGNET WIRE $\varnothing 0.45 \dots 0.63 \text{mm}$ DIA
OR COPPER DOUBLE MAGNET WIRE $\varnothing 0.45 \dots 0.56 \text{mm}$ DIA

2 Anlieferungszustand: Kontakte fortlaufend mit
Papierzwiseilage auf Kunststoffspule aufgewickelt
Max. 5 Splice Stellen pro Spule
Splice Stellen nicht miteinander verbunden
DELIVERY STATE: CONTACTS CONTINUOUS REELED WITH
PAPER INTERLAYER ON PLASTIC-REEL.
MAX. 5 SPLICES PER REEL
SPLICES BE NOT BONDED TOGETHER.

3 Kontaktkammer nach Zeichnung } 411-18516
CAVITY ACCORDING DWG.

4 Kennziffer fuer Drahtgroessenbereich (12)
IDENTIFICATION NO. FOR MAGNET WIRE RANGE (12)

5 Materialdicke } 0.32 ± 0.02
STOCK THICKNESS

	10	A	CuNiSi	Ag OVER Ni	1-1534686-8
	10	A	CuNiSi	Au OVER Ni	1-1534686-7
	10	A	CuNiSi	BLANK	1-1534686-2
	10	A	CuSn	PRETINNED	1-1534686-1
OBSOLETE	9	B	CuNiSi	Ag OVER Ni	1534686-8
	9	B	CuNiSi	Au OVER Ni	1534686-7
	9	B	CuNiSi	BLANK	1534686-2
	9	B	CuSn	PRETINNED	1534686-1
REELING	REV.	5	MATERIAL	SURFACE COLOR	TE PART NO

THIS DRAWING IS A CONTROLLED DOCUMENT.		DWN	08JAN2002		
DIMENSIONS: mm		CHK	M. Neitzel		
TOLERANCES UNLESS OTHERWISE SPECIFIED:		APVD	H. Ploesser		
		PRODUCT SPEC	-		
MATERIAL SEE TABLE		FINISH	SEE TABLE		NAME
		WEIGHT	-		MAG-MATE Kontakt mit Loetpin Baugroesse .300 mod.
		CUSTOMER DRAWING	SCALE	10:1	SHEET 2 OF 2
			SIZE	A3	CAGE CODE
			DRAWING NO	00779	RESTRICTED TO
				©=1534686	REV
					A3

1470-19 (3/11)

X-ON Electronics

Largest Supplier of Electrical and Electronic Components

Click to view similar products for [Automotive Connectors](#) category:

Click to view products by [TE Connectivity](#) manufacturer:

Other Similar products are found below :

[003-018-000](#) [60403001](#) [60993906-B](#) [M902-2131](#) [M902-2161](#) [72.330.1035.1](#) [73.353.4028.0](#) [F119300-B](#) [F166900](#) [F258300-B](#) [F358300-B](#)
[F407400](#) [F444110](#) [F487000](#) [F509500B-B](#) [827153-1](#) [8N1515-32-24P](#) [9-1326729-8](#) [925474-1](#) [928905-1](#) [964562-4](#) [968782-1](#) [GT17SA-8DS-](#)
[HU](#) [98891-1012](#) [98947-1016](#) [12004147](#) [12004475-L](#) [12010290](#) [12010309-B](#) [12015454](#) [12020219-B](#) [12020308](#) [12041318-B](#) [12052225-L](#)
[12052466](#) [12059125](#) [12064869](#) [12004327-B](#) [12010503-B](#) [12015308](#) [12015384](#) [12015909](#) [1-21030-1](#) [12041254](#) [12041318](#) [12047946-B](#)
[12047957](#) [12047957-L](#) [12059473](#) [12066261](#)