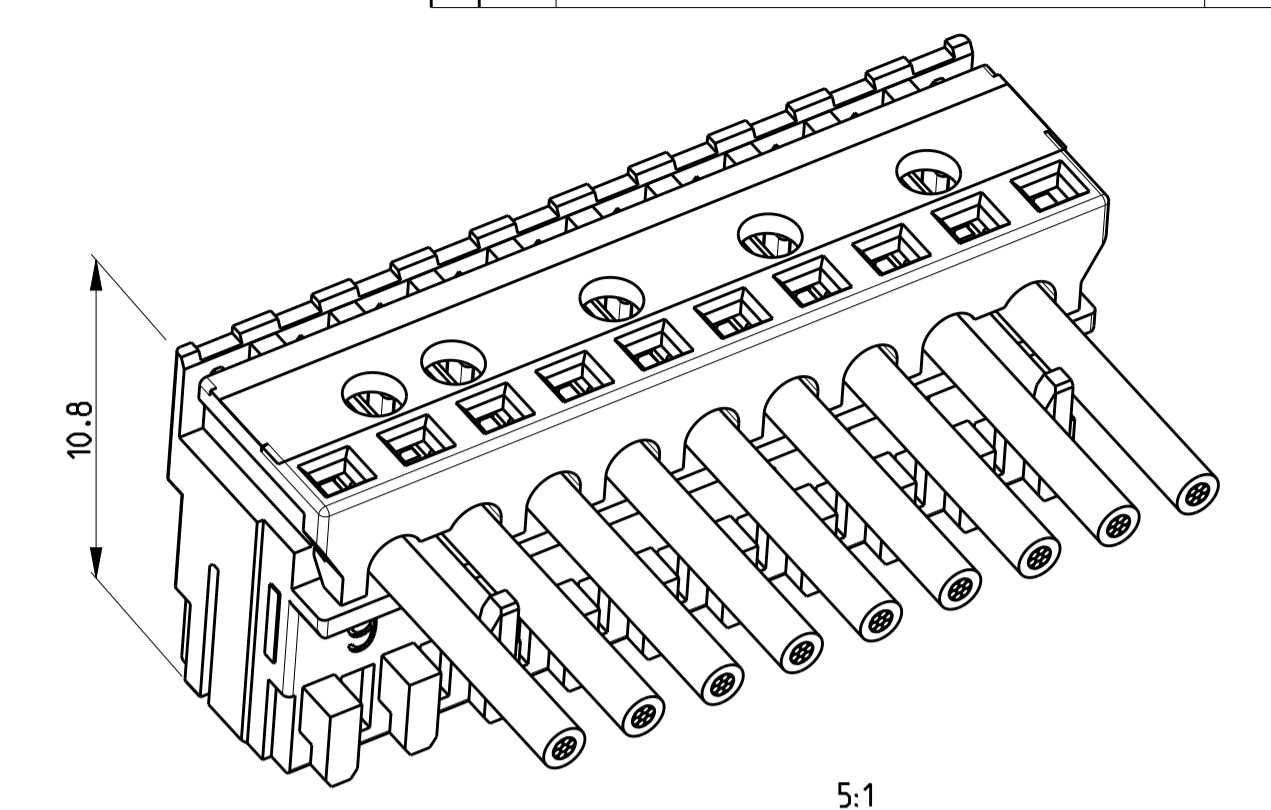
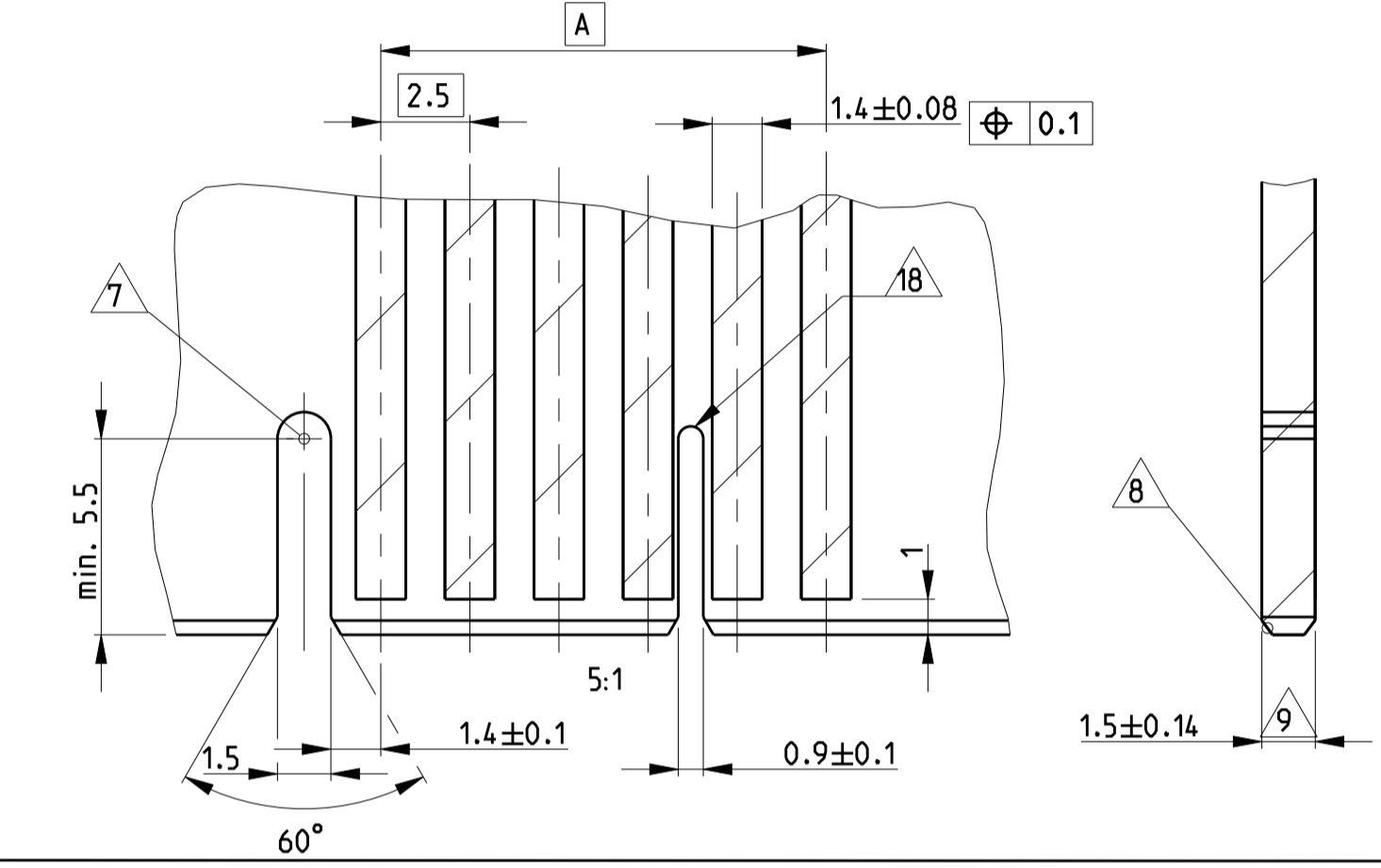


- 27 DIMENSION AVAILABE FOR PART X-2304525-X, X-2304526-X.
- 26 WITH SPECIAL CHAIN FEATURE
- 25 SIDE KEYING ON LAST CAVITY THICKNESS=1.5mm
- 24 SIDE KEYING ON CAVITY 1 THICKNESS=1.5mm
- 19 COLOR MARKING IN THIS AREA, NOT THE COLOR OF HOUSING. COLOR SEE COLOR CODE IN TABLE.
- 18 SLOT, THICK, BETWEEN CAVITIES
- 17 KEYING, THICK, BETWEEN POSITION
- 16 SLOT, SLIM, FOR SIDE KEYING, LAST CAVITY Schlitz,duenn, an letzte Kammer
- 15 SLOT, SLIM, FOR SIDE KEYING, SIDE CAVITY 1 Schlitz,duenn, fuer Seitenkodierung
- 14 SIDE KEYING, SLIM, ON LAST CAVITY Seitenkodierung, duenn, an letzte Kammer
- 13 SIDE KEYING, SLIM, ON CAVITY 1 Seitenkodierung, duenn, an Kammer 1
- 12 KEYING SLIM BETWEEN POSITIONS
- 11 PRELIMINARY PART NOT RELEASED FOR PRODUCTION
- 10 TE LOGO
- 9 INCLUSIVE COPPER LOADING Inklusive Kupferkaschierung
- 8 PCB PREFERABLY CHAMFERED Leiterplatte vorzugsweise angefast
- 7 SLOT, THICK, FOR SIDE KEYING Schlitz,dick, fuer Seitenkodierung
- 6 SIDE KEYING, THICK, ON LAST CAVITY Seitenkodierung, dick, an letzte Kammer
- 5 WIRE RANG: 0.22-0.35mm<sup>2</sup> SEE APPLICATION SPEC. 114-18467 Drahtgroessenbereich: 0.22-0.35mm<sup>2</sup> siehe Verarbeitungsspec. 114-18467
- 4 IEC 60695-2-11 / IEC 60335-1 GLOW WIRE TEST 750 °C WITHOUT FLAME IEC 60695-2-11 / IEC 60335-1 Gluehdrahttest 750 °C ohne Flamme
- 3 X..CAVITY LOADED WITH CONTACT O..CAVITY WITHOUT CONTACT X..Kammer mit Kontakt bestueckt O..Kammer ohne Kontakt
- 2 MATING PART: PCB (WITH FRAMES ACC. RAST 2.5 E.G. PN 964 575/576 TABHEADER PN 829 866/867 Passender Gegenstecker: Leiterplatten (mit Rahmen nach RAST 2.5 z.B. 964 575/576) Tabwannen Nr. 829 866/867
- 1 KEYING RIBS: CUTTING WITH TERMINATION MACHINE POSSIBLE Kodierrippe; Schneiden auf der Verarbeitungsmaschine moeglich

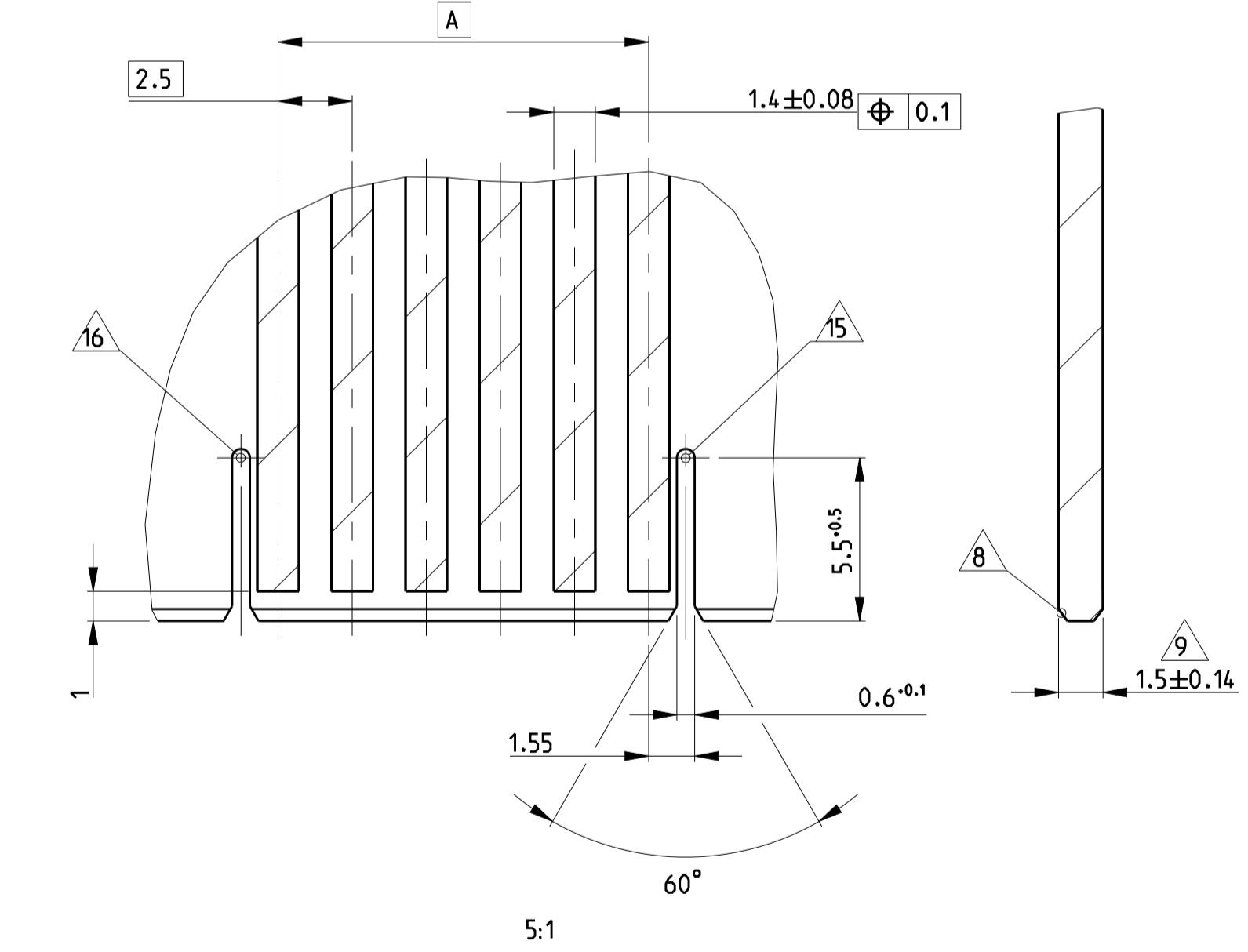
LOC	DIST	REVISIONS					
A1	-	P	LTR	DESCRIPTION	DATE	DWN	APVD
		D34	ECR-18-008947		11 JUN 2018	W W	FL
		D35	ECR-18-009059		12 JUN 2018	W W	FL
		D36	ECR-18-011242		18 JUL 2018	L Z	FL



PCB LAYOUT KEYED / CONNECTED ONLY WITH ADDITIONAL FRAME (THICK KEYING)  
Leiterplattenanschluss kodiert / nur in Verbindung mit zusaetzlichem Rahmen



PCB LAYOUT KEYED / CONNECTED ONLY WITH ADDITIONAL FRAME (SLIM KEYING)  
Leiterplattenanschluss kodiert / nur in Verbindung mit zusaetzlichem Rahmen



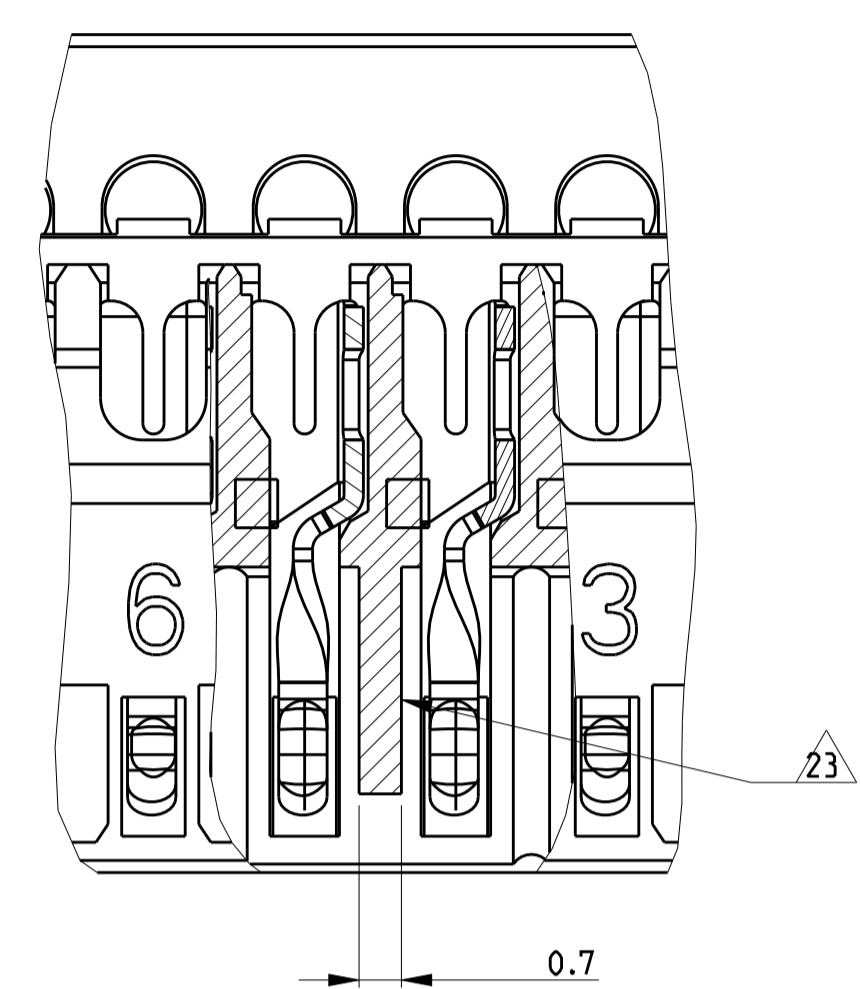
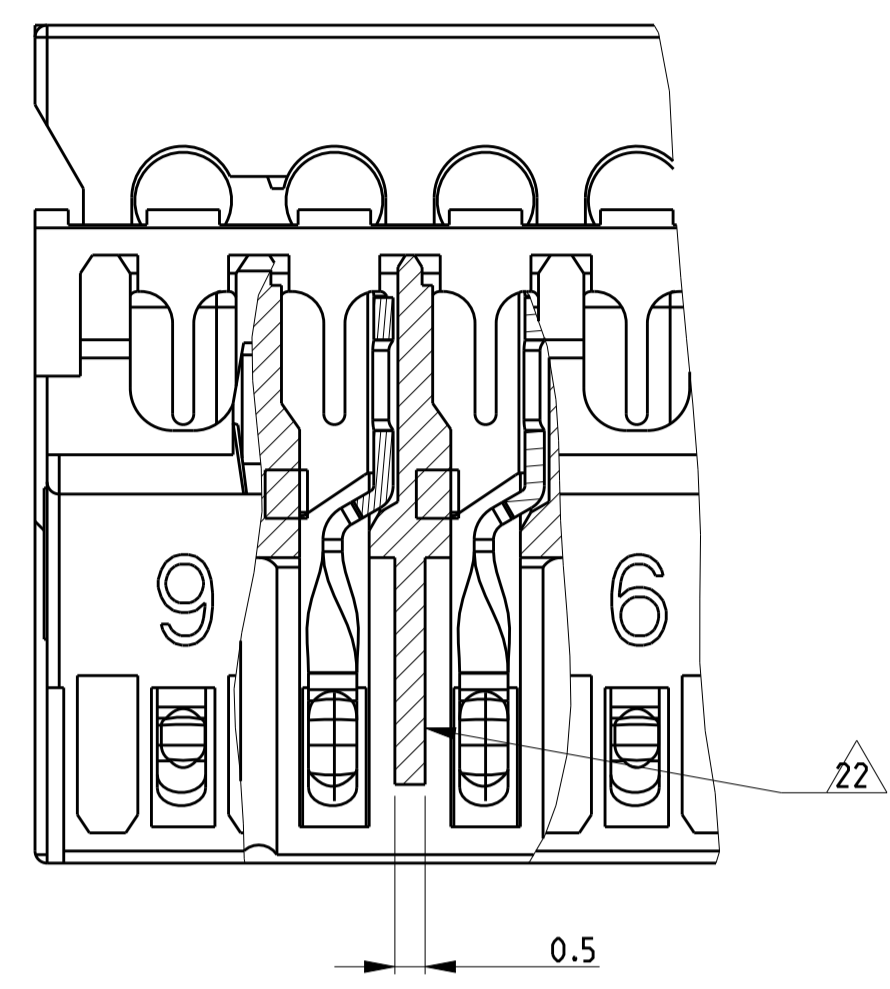
OTHER NOTE SEE SHEET 3 OF 3.

THIS DRAWING IS A CONTROLLED DOCUMENT.		DWN: H. Karabiyik 24MAY2002	 TE Connectivity
DIMENSIONS: mm		CHE: B. Schnaubel 24MAY2002	
TOLERANCES UNLESS OTHERWISE SPECIFIED:		APVD: T. Klenner 24MAY2002	NAME: AMP DUOPLUG 2.5 MARK II FEMALE CONNECTOR 3-20 POSITION SELECTIVE LOADED
0 PLC ±0.2		PRODUCT SPEC: 108-18785	
1 PLC ±0.2		APPLICATION SPEC: 114-18467	SIZE: A1 CAGE CODE: 00779 DRAWING NO: 1534798
2 PLC ±0.2		WEIGHT: -	
3 PLC ±0.2		Customer Drawing	SCALE: 10:1 SHEET: 1 OF 3 REVISION: D36
4 PLC ±0.2			
ANGLES FINISH			

POS.	PN Bestell-Nr.	DESCRIPTION Beschreibung	MATERIAL	COLOUR/FINISH Farbe/Oberflaeche
2	SEE TABLE	CONTACT/Kontakt	CuSn	TINNED/verzinkt
1	siehe Tabelle	HOUSING/Federleistengenh.	HIGH TEMP PLASTIC	NATUR/Natur



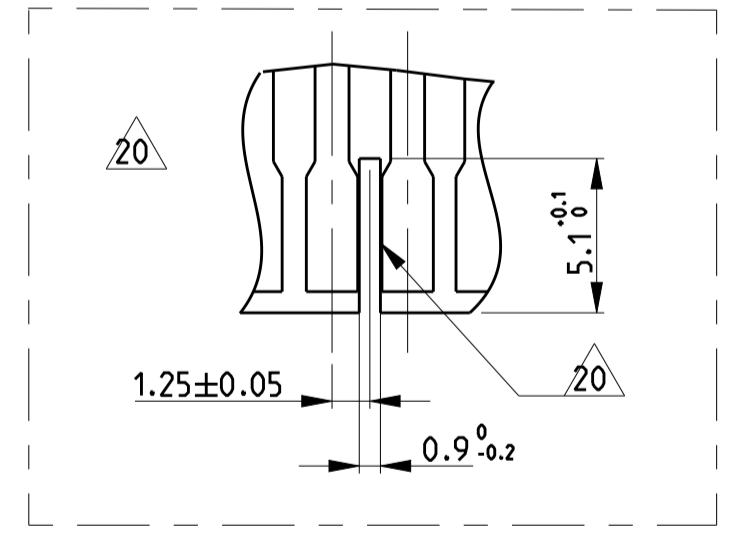
LOC	DIST	REVISIONS			
P	LTR	DESCRIPTION	DATE	DWN	APVD
-	-	SEE SHEET 1	-	-	-



KEYING  $\Delta 22$

KEYING  $\Delta 23$

- $\Delta 23$  KEYING. SPECIAL THICK. BETWEEN POSITION
- $\Delta 22$  KEYING. SPECIAL THIN. BETWEEN POSITION
- $\Delta 21$  SLOT FOR KEYING SPECIAL. BETWEEN POSITION
- $\Delta 20$  RECOMMENDED PCB CUTOFF DIMENSION FOR THE PN X-2304527-Y AND X-2304528-Y



GWT 750C AND UL94 V0 VERSION																													
Color	20	19	18	17	16	15	14	13	12	11	10	9	8	7	6	5	4	3	2	1	POS. Polzahl	DIM A	DIM B	KEYING $\Delta 12$	KEYING $\Delta 17$	KEYING $\Delta 23$	KEYING $\Delta 22$	PN $\Delta 11$ $\Delta 26$ Bestell-Nr.	
Blue										X	0	X	0	X	0	X	0	X	0	X	13	30	34.9			-	2/3	1-2304528-3 2304528-3	
Orange										X	0	X	X	X	X	X	X	X	X	X	11	25	29.9			-	-	2-2304528-1 1-2304528-1	
Green										X	0	X	0	X	0	X	0	X	0	X						-	-	2304528-1	
										X	X	X	0	X	0	X	0	X	0	X	10	22.5	27.4					2-2304528-0 1-2304528-0	
										X	0	X	0	X	0	X	0	X	0	X								3-2304527-9 2-2304527-9	
Black										X	0	X	X	0	X	X	0	X	0	X	9	20	24.9			-	2/3	1-2304527-9	
Blue										X	X	X	X	X	X	0	X	X							-	2/3	2304527-9		
										X	0	X	0	X	0	X	0	X										4-2304527-7 3-2304527-7	
Black										X	X	X	X	0	0	0	X				7	15	19.9			-	2/3	2-2304527-7	
Green										X	0	X	0	X	0	X	0	X								-	-	1-2304527-7	
Blue										X	0	X	0	X	0	X										-	-	2304527-7	
Red										X	X	0	X	0	X													6-2304527-6	
Black										X	0	X	X	0	X													5-2304527-6	
Green										X	X	0	X	0	X													4-2304527-6	
										0	0	X	X	X	X						6	12.5	17.4					3-2304527-6 2-2304527-6	
Blue										X	0	X	0	X	X											-	-	1-2304527-6	
Red										X	0	X	X	0	X											-	-	2304527-6	
Red										X	X	X	0	X														4-2304527-5	
Red										X	0	0	0	X							5	10	14.9	3/4				3-2304527-5 2-2304527-5	
										X	0	0	0	X												-	-	1-2304527-5	
Green										X	0	X	0	X													-	-	2304527-5
Black										X	X	0	0								4	7.5	12.4			-	3/4	2304527-4	
Red										X	0	X														2/3		8-2304527-3	
Red										X	0	X														1/2		7-2304527-3	
										X	0	X														2/3		6-2304527-3	
Blue										X	0	X																5-2304527-3	
										X	0	X									3	5	9.9					4-2304527-3	
Black										X	0	X														1/2	-	3-2304527-3	
Red										X	0	X														2/3	-	2-2304527-3	
Brown										X	0	X														-	-	1-2304527-3	
Orange										X	0	X														-	-	2304527-3	

THIS DRAWING IS A CONTROLLED DOCUMENT. DWN H. Karabiyik 24MAY2002  
 CHK B. Schnaubel 24MAY2002  
 APVD T. Klenner 24MAY2002

TE Connectivity

AMP DUOPLUG 2.5 MARK II FEMALE CONNECTOR 3-20 POSITION SELECTIVE LOADED

SIZE CAGE CODE DRAWING NO. RESTRICTED TO  
 A1 00779 C-1534798

Customer Drawing SCALE 10:1 SHEET 3 OF 3

## X-ON Electronics

Largest Supplier of Electrical and Electronic Components

*Click to view similar products for [Standard Card Edge Connectors](#) category:*

*Click to view products by [TE Connectivity](#) manufacturer:*

Other Similar products are found below :

[CR7E-30DB-3.96E\(72\)](#) [6364499-1](#) [6565204-6](#) [PKC-156](#) [1437274-4](#) [147889-1](#) [1489165-4](#) [EBT15622B2X](#) [1-582587-1](#) [284-0102-12100](#)  
[286-0052-12101A](#) [306022901000000](#) [307-012-502-202](#) [307-056-520-300](#) [2129318-1](#) [245-062-520-350](#) [287-0032-12101](#) [306-028-525-102](#)  
[307-072-526-202](#) [345-060-559-303](#) [392-008-559-201](#) [534671-1](#) [341-240-317](#) [345-044-500-300](#) [346-240-318](#) [395-100-524-300](#) [09-07-2032](#)  
[10035388-802LF](#) [10115859-011LF](#) [10122859-009LF](#) [10127905-B04B24BLF](#) [530555-1](#) [5-678046-1](#) [73726-0005](#) [66308-1](#) [1-1437275-6](#)  
[PEC-07-02-T-S-A](#) [346-014-520-801](#) [307-048-502-202](#) [CE100F22-9-C](#) [CE100F26-7-C](#) [CE100F28-3-D](#) [CE156F18-9-C](#) [CE156F22-5-D](#)  
[CE156F22-9-C](#) [CT100F22-2-D](#) [CT100F22-3-D](#) [CT100F24-2-D](#) [CT100F24-3-D](#) [CT100F24-6-C](#)